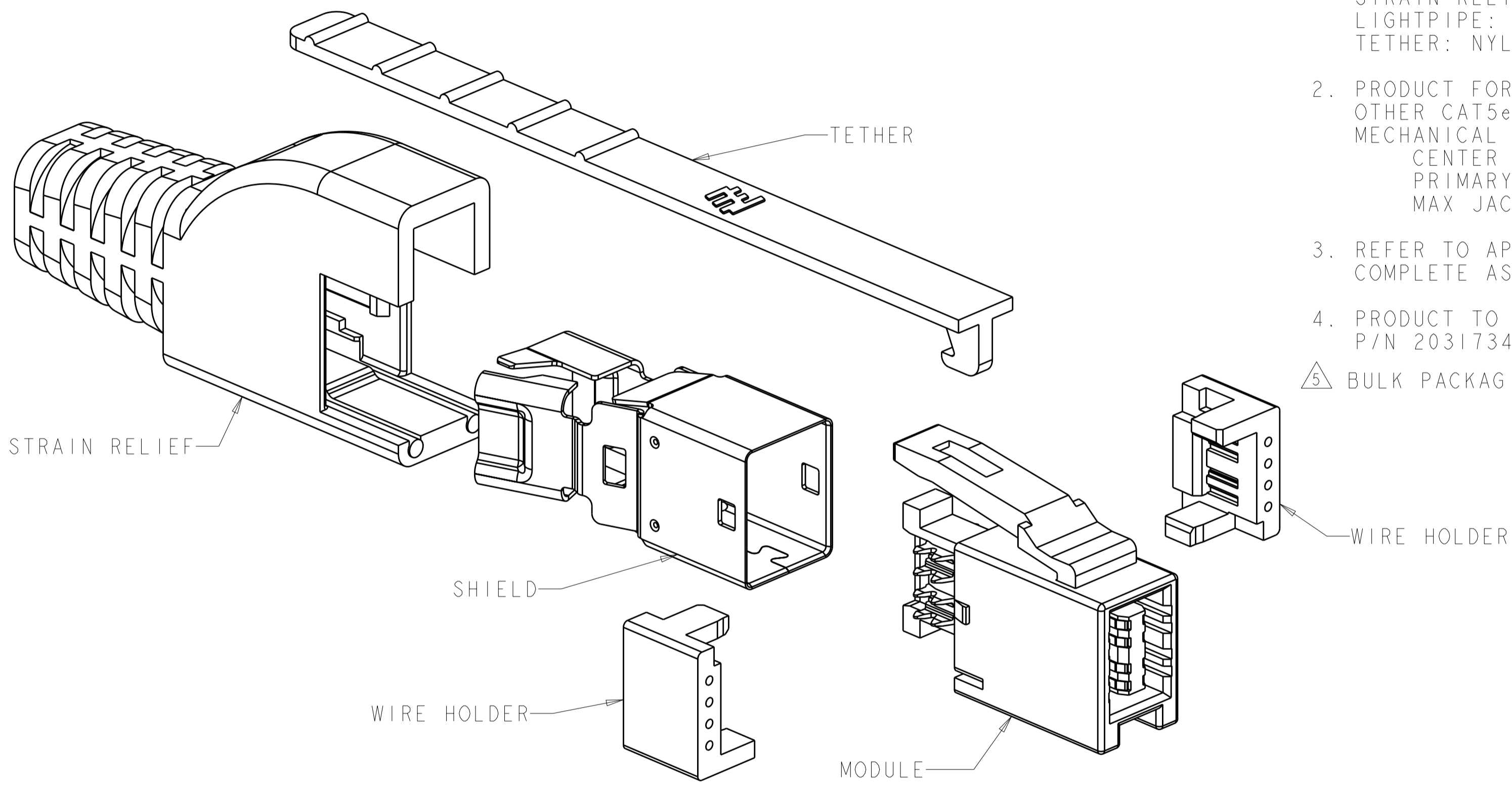


THIS DRAWING IS UNPUBLISHED. RELEASED FOR PUBLICATION 20
 © COPYRIGHT 20 BY TYCO ELECTRONICS CORPORATION. ALL RIGHTS RESERVED.

LOC	DIST	REVISIONS			
P	LTR	DESCRIPTION	DATE	DWN	APVD
AG	00	A	REV PER ECO-11-002499	08FEB2011	JTL PAR



- 1. MATERIAL:
 MODULE HOUSING AND COVERS: POLYCARBONATE, CLEAR.
 MODULE CONTACTS: BRASS WITH 0.076µm MIN GOLD OVER
 0.68µm PALLADIUM-NICKEL ON MATING INTERFACE
 OVER 1.27µm MIN NICKEL, WITH SELECTED 0.076µm MIN
 GOLD FLASH.
 SHIELD: STAINLESS STEEL, PASSIVATE.
 STRAIN RELIEF: ELASTOMER POLYOLEFIN.
 LIGHTPIPE: POLYCARBONATE, CLEAR.
 TETHER: NYLON 6/6.
- 2. PRODUCT FOR USE WITH QUABBIN CABLE P/N 5400 OR
 OTHER CAT5e QUALIFIED CABLE WITH THE FOLLOWING
 MECHANICAL CONSTRAINTS:
 CENTER CONDUCTOR- 24 AWG STRANDED
 PRIMARY INSULATION DIAMETER 0.89 TO 0.99mm
 MAX JACKET O.D. - 5.80MM
- 3. REFER TO APPLICATION SPECIFICATION 114-13235 FOR
 COMPLETE ASSEMBLY INSTRUCTIONS
- 4. PRODUCT TO BE TERMINATED USING HAND TOOL
 P/N 2031734-1

5. BULK PACKAGING

5	2007312-2
1	2007312-1
QTY PER KIT	PART NUMBER

THIS DRAWING IS A CONTROLLED DOCUMENT FOR TYCO ELECTRONICS CORPORATION IT IS SUBJECT TO CHANGE AND THE CONTROLLING ENGINEERING ORGANIZATION SHOULD BE CONTACTED FOR THE LATEST REVISION.		DWN R. TREA 19OCT2007	Tyco Electronics Harrisburg, PA 17105-3608	
DIMENSIONS: mm		CHK R. HENRY 19OCT2007	NAME PLUG KIT, RJ POINT FIVE	
TOLERANCES UNLESS OTHERWISE SPECIFIED: 0 PLC ±- 1 PLC ±- 2 PLC ±- 3 PLC ±- 4 PLC ±- ANGLES ±- FINISH		APVD -	PRODUCT SPEC 108-2341	RESTRICTED TO -
MATERIAL		APPLICATION SPEC 114-13235	SIZE A2	CAGE CODE 00779
CUSTOMER DRAWING		WEIGHT -	DRAWING NO 2007312	REV A
		SCALE 2:1	SHEET 1	OF 2

2007312

THIS DRAWING IS UNPUBLISHED. RELEASED FOR PUBLICATION 20
 © COPYRIGHT 20 BY TYCO ELECTRONICS CORPORATION. ALL RIGHTS RESERVED.

LOC	DIST	REVISIONS					
AG	00	P	LTR	DESCRIPTION	DATE	DWN	APVD
		-		SEE SHEET 1			

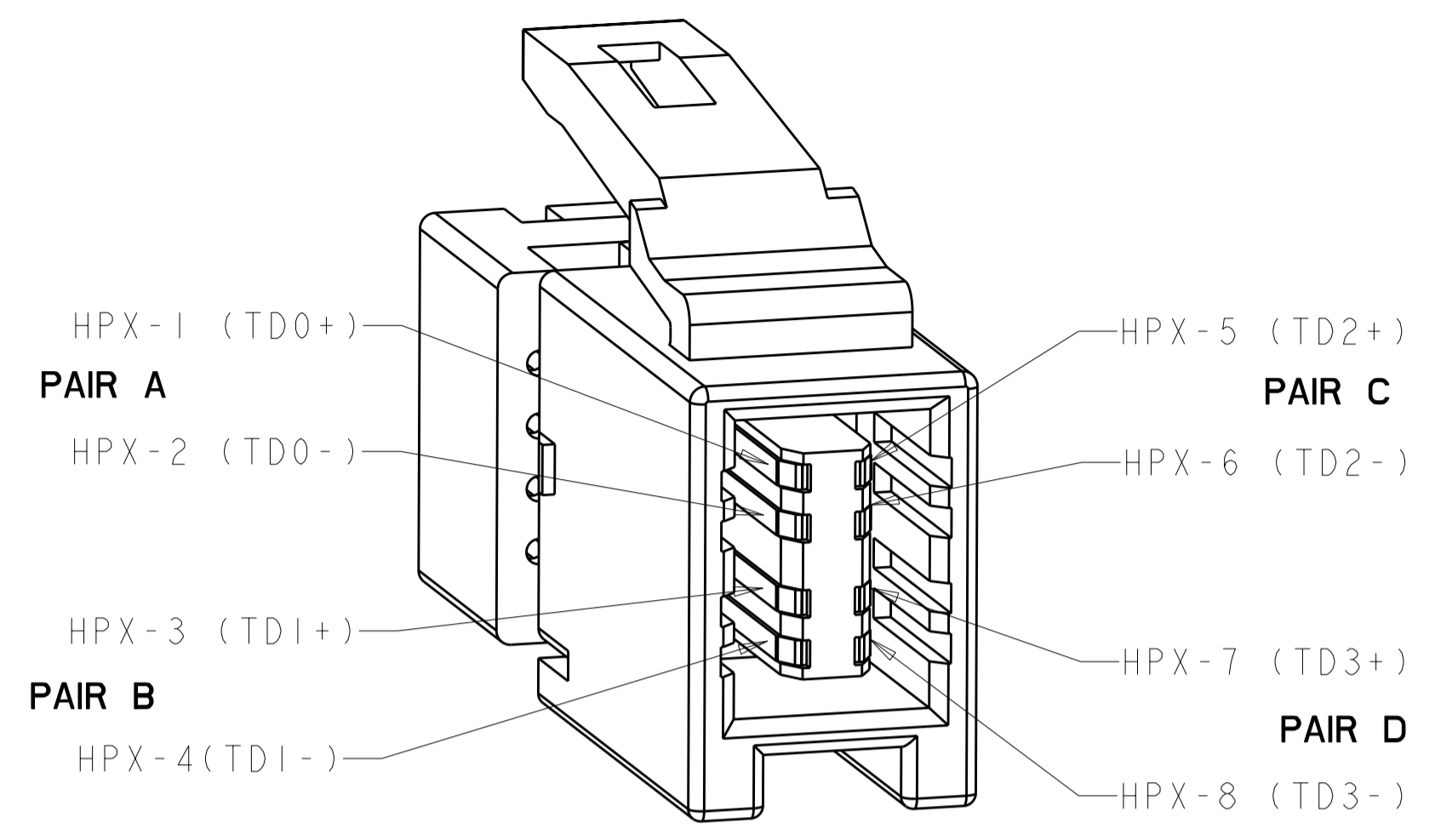


FIGURE 1
 SCALE 8:1

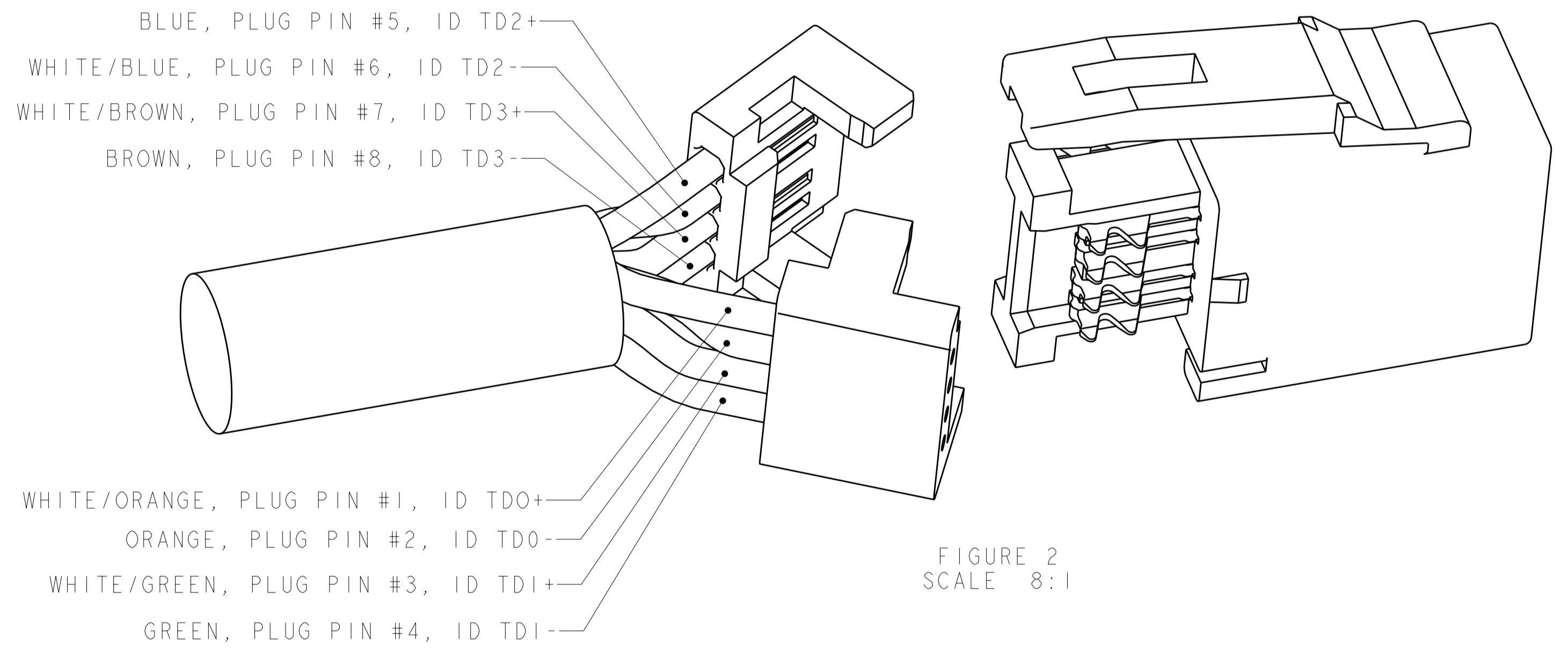


FIGURE 2
 SCALE 8:1

<small>THIS DRAWING IS A CONTROLLED DOCUMENT FOR TYCO ELECTRONICS CORPORATION IT IS SUBJECT TO CHANGE AND THE CONTROLLING ENGINEERING ORGANIZATION SHOULD BE CONTACTED FOR THE LATEST REVISION.</small>		DWN R. TREA 19OCT2007 CHK R. HENRY 19OCT2007 APVD -	Tyco Electronics Tyco Electronics Harrisburg, PA 17105-3608
DIMENSIONS: mm 	TOLERANCES UNLESS OTHERWISE SPECIFIED: 0 PLC ± 1 PLC ± 2 PLC ± 3 PLC ± 4 PLC ± ANGLES ± FINISH	PRODUCT SPEC 108-2341 APPLICATION SPEC 114-13235 WEIGHT -	NAME PLUG KIT, RJ POINT FIVE SIZE CAGE CODE DRAWING NO RESTRICTED TO A200779 C-2007312 -
MATERIAL -		CUSTOMER DRAWING SCALE 2:1 SHEET 2 OF 2 REV A	