

Twin Thermostats

FLZ 541 – FLZ 543



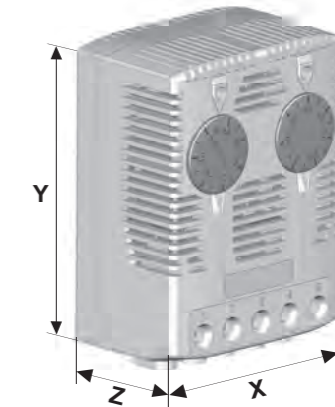
The FLZ series of twin thermostats integrates two independently switchable thermostats. They are available with N.C./N.O.¹, N.C./N.C. and N.O./N.O. contacts. Unlike thermostats with changeover contacts, connected devices can be switched in different temperature ranges.

| Data | FLZ 541 | FLZ 542 | FLZ 543 | Unit |
|--|---|------------------------------------|------------------------------------|---------|
| Article number | 17141000000 | 17142000000 | 17143000000 | |
| Type of contact | N.C. / N.O. with spring contact | N.C. / N.C. with spring contact | N.O. / N.O. with spring contact | |
| Setting range | 0 °C (+32 °F) ... +60 °C (+140 °F) | | | |
| Switching temperature difference | < 7 | | | K |
| Switching point tolerance | ± 4 | | | |
| Max. switching power value in brackets: inductive load at cos φ = 0.6 | N.C. | 240 V AC / 10 (2) | | A |
| | N.O. | 120 V AC / 15 (2) | | |
| | DC | max. 30 | | W |
| Operating temperature range | - 40 ... + 80 (- 40 ... + 176) | | | °C (°F) |
| Storage temperature range | - 40 ... + 80 (- 40 ... + 176) | | | |
| Probe type | bimetal | | | |
| System of protection | IP 20 | | | |
| Weight | 95 | | | g |
| Type of connection | screw terminal for cable cross-section 0.5 to 2.5 mm ² | | | |
| Suitable for the operation of | fan and heater | heaters | fans | |
| Type of mounting | snap fastening for 35 mm profile bars according to EN 60715 | | | |
| Colour | RAL 7035 | | | |
| Accessories | Piece | Article number | Information on page | |
| Hygrostat | 1 | 17207000000 | 192 | |
| Internal enclosure fan | 1 | 18110000000 | 71 | |

¹ N.C. = normally closed / N.O. = normally open
Approvals see page 175

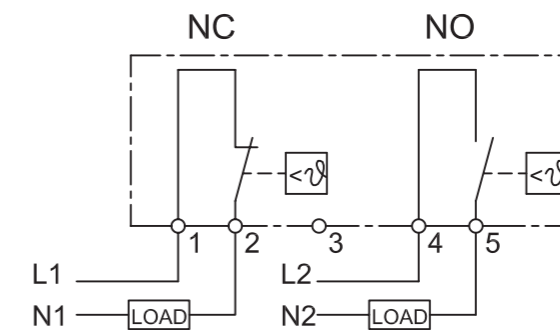
Dimensions

| mm | FLZ 541 | FLZ 542 | FLZ 543 |
|----|---------|---------|---------|
| X | | 59 | |
| Y | | 80.5 | |
| Z | | 38 | |

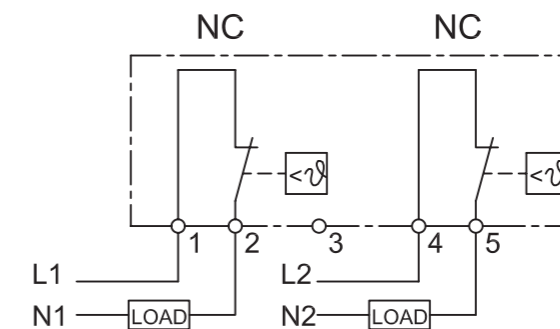


Schematics

FLZ 541



FLZ 542



FLZ 543

