

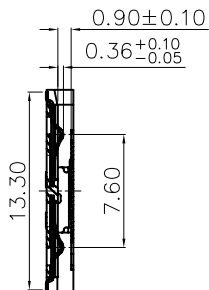
1

2

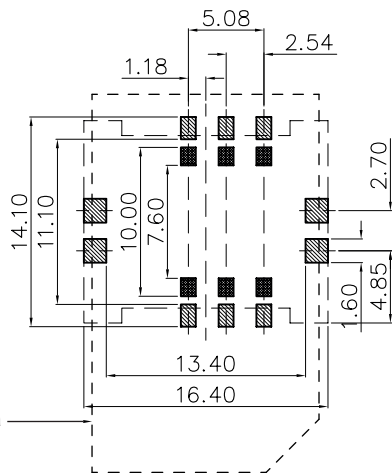
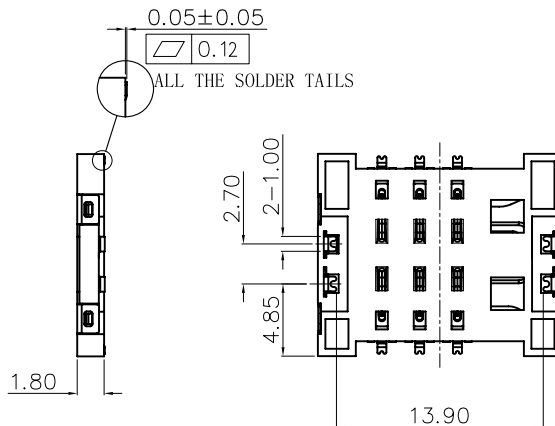
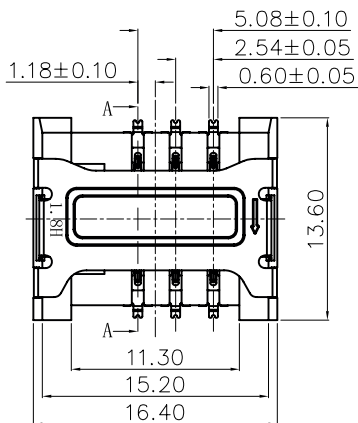
3

4

5



SECTION A-A



Suggest Card Printed Area

▨ SOLDER PAD

■ THESE AREA SHOULD BE FREE OF ANY CONDUCTIVE TRACES.

RECOMMENDED PCB LAYOUT
GENERAL TOLERANCE: ±0.05

TECHNICAL CHARACTERISTICS

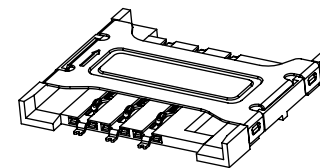
MATERIAL
 INSULATOR: LCP
 FLAMABILITY RATING: UL94-V0
 COLOR: BLACK
 CONTACT MATERIAL: COPPER ALLOY
 CONTACT TYPE: STAMPED
 CONTACT PLATING: SELECTIVE GOLD
 SHIELDING: STAINLESS STEEL
 QUALITY CLASS: 5000 MATING CYCLES

ENVIRONMENTAL
 OPERATING TEMPERATURE: -25 UP TO 85°C
 COMPLIANCE: LEAD FREE AND ROHS

ELECTRICAL
 CURRENT RATING: 0.5A
 WORKING VOLTAGE: 50VAC
 INSULATOR RESISTANCE: >500 MOHM
 DIELECTRIC WITHSTANDING VOLTAGE: 500VAC/MN
 CONTACT RESISTANCE: 50 MOHM MAX

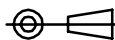
SOLDERING
REFLOW PROCESS ONLY

PACKAGING
TAPE & REEL



RoHS Compliant

PROJECTION:



GENERAL TOLERANCE

.X = +/- 0.2

.XX = +/- 0.15



APPROVAL: RJ

UNIT: MM

SCALE:

SHEET: 1/2

DRAW: VICKY

DESCRIPTION: SIM Card Connector - Header Shielded - W/O card stop - 6 pins

WERI PART NO: 693 010 030 601

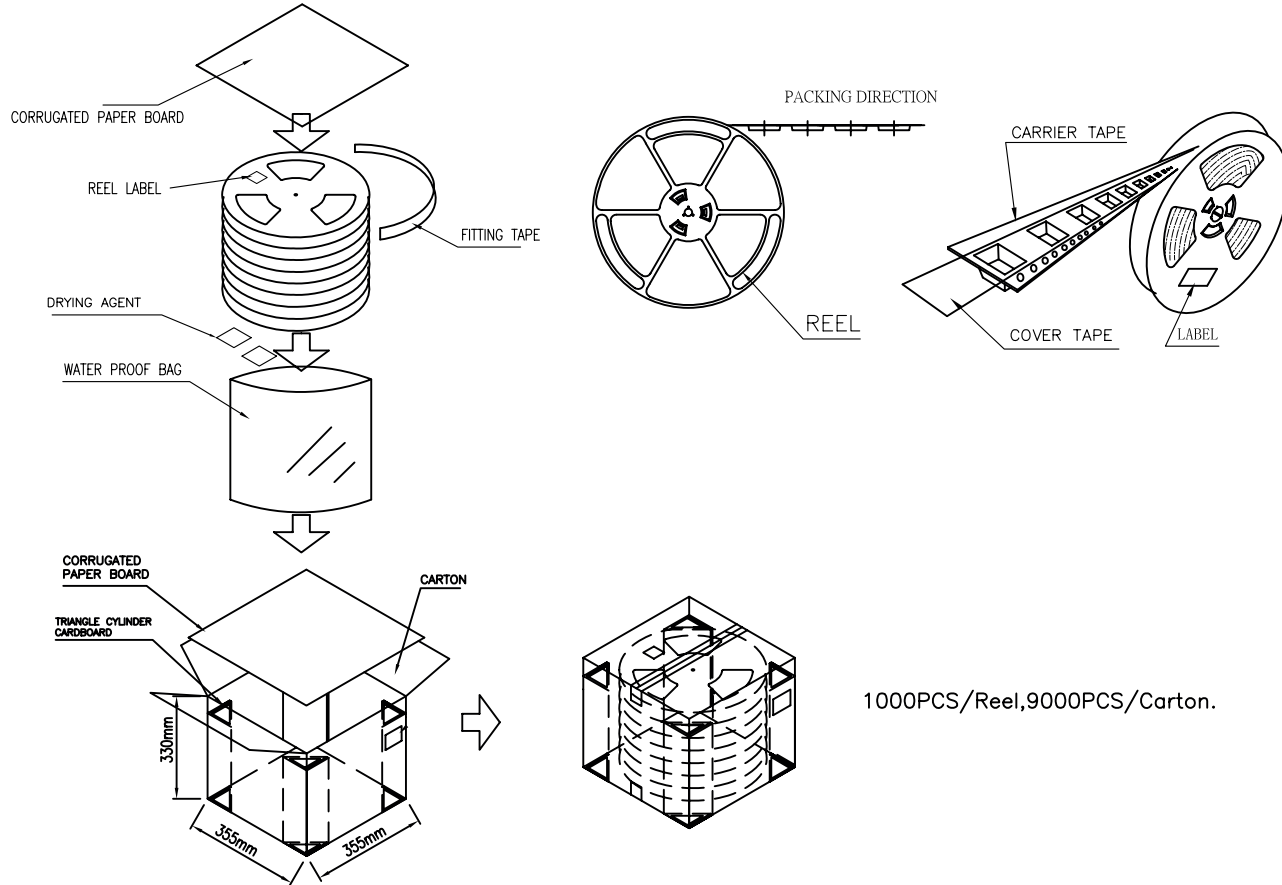
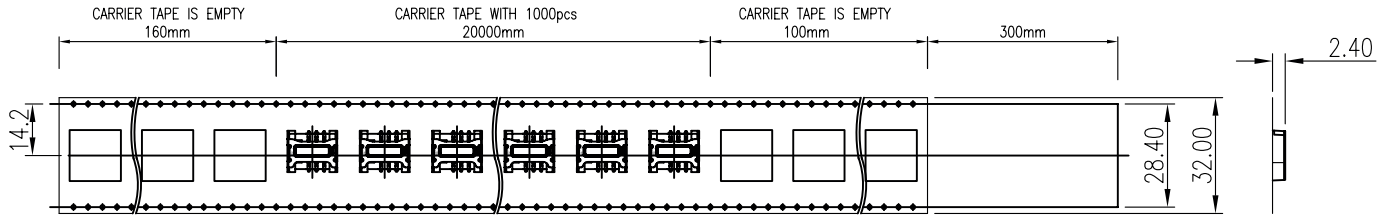
SIZE

A4

REV	DATE	FILE	BY
A	11-AUG-31	PDF	GG
B	10-JAN-12	DRAWING & TKP	GG

A
B
C
D

1	2	3	4	5
---	---	---	---	---



RoHS Compliant			
REV	DATE	FILE	BY

PROJECTION:	
APPROVAL: RJ	

GENERAL TOLERANCE
.X = +/- 0.2
.XX = +/- 0.15
UNIT: MM
SCALE:
SHEET: 2/2
DRAW: VICKY

 WÜRTH ELEKTRONIK
DESCRIPTION: SIM Card Connector - Header Shielded - W/O card stop - 6 pins
WERI PART NO: 693 010 030 601

SIZE
A4