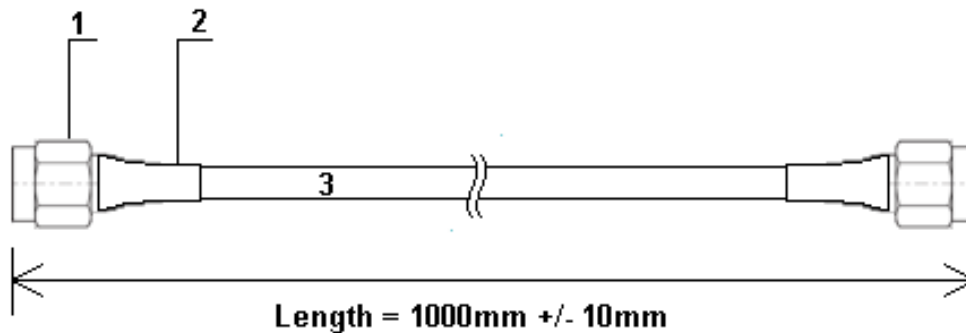


Flexible Coaxial Cable Assembly RG142 - SMA Straight Plug / SMA Straight Plug 308-0303-xxxxA



List Nomenclature

- | | |
|--------------------------------|-------------------|
| 1. SMA straight plug connector | A01077 |
| 2. White Protective Sleeve | A21023 |
| 3. Coaxial Cable | A91051 (RG142B/U) |

Electrical Specifications

Impedance	:	50 ± 2 Ohms
Operating Frequency	:	DC to 8 GHz
Velocity of Propagation	:	70%
Voltage Withstand	:	1500 Veff

Insertions Losses

Frequency (MHz)	500	1500	3000	6000	8000
Insertions Losses max (dB/m)	0,41	0,63	1,01	1,52	1,88

Mechanical Specifications

Inner Conductor	Solid SCCS
Dielectric	PTFE
Braid 1	CuAg
Braid 2	CuAg
Jacket	FEP
	Ø = 4,95 mm (0,19 inches)

Rayon de courbure : 17,40mm (0,685 inches)

Environmental Specifications

Operating Temperature Range : -45°C à +125°C

Conditions of delivery

Mechanical check	:	Length
Electrical test	:	Continuity / Rigidity