



CABLE-OPERATED SWITCH METAL ENCL.;
2 X M25 X 1.5 1 NO 1 NC,
WITHOUT LATCH CABLE-OPERATED FUNCTION ONLY

General technical details:

product designation		cable-operated switch
Number of indicator lights		0
Rope length / maximum	m	10
Product component / EMERGENCY STOP device		No
Item designation / according to DIN 40719 extendable after IEC 204-2 / according to IEC 750		S
Item designation / according to DIN EN 61346-2		S
Width	mm	52
Height	mm	164.5
Depth	mm	42.5

Enclosure:

Type of mounting		screw fixing
material / of the housing		metal
Color / of the top part of housing		grey

Contact:

Number of NC contacts / for auxiliary contacts		1
Number of NO contacts / for auxiliary contacts		1
Switching function / arresting lock		No

Certificates/approvals:

General Product Approval

Declaration of Conformity



GOST



EG-Konf.

Shipping Approval

other



ABS



BUREAU VERITAS



LRS



PRS



RINA

[Confirmation](#)

Ambient conditions:

Protection class IP

IP65

Ambient temperature

- during operating

°C

-25 ... +70

Further information:

Information- and Downloadcenter (Catalogs, Brochures,...)

<http://www.siemens.com/industrial-controls/catalogs>

Industry Mall (Online ordering system)

<http://www.siemens.com/industrial-controls/mall>

CAX-Online-Generator

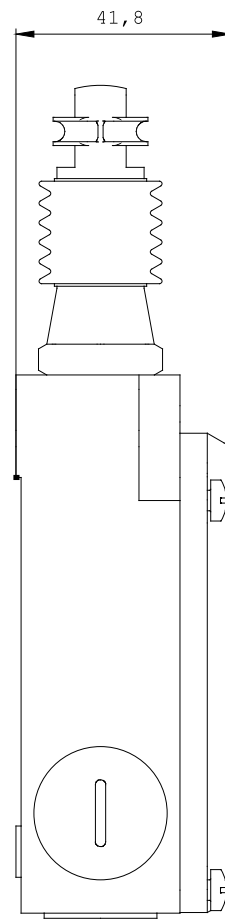
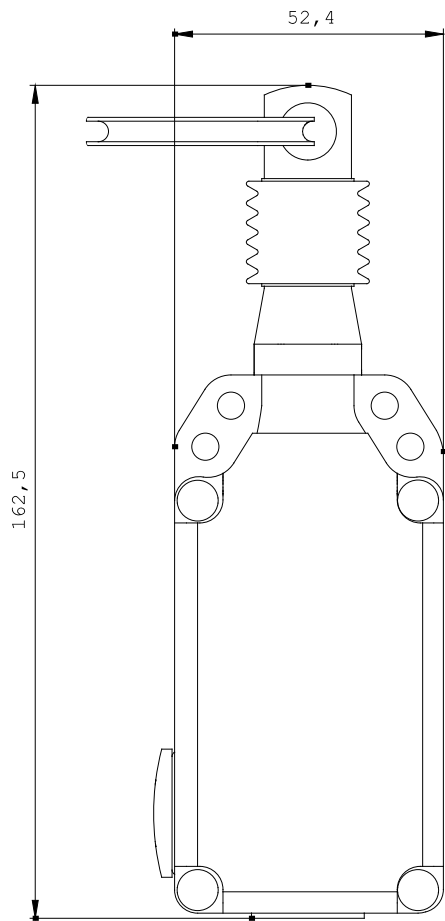
<http://www.siemens.com/cax>

Service&Support (Manuals, Certificates, Characteristics, FAQs,...)

<http://support.automation.siemens.com/WWW/view/en/3SE7120-2DD01/all>

Image database (product images, 2D dimension drawings, 3D models, device circuit diagrams, ...)

http://www.automation.siemens.com/bilddb/cax_en.aspx?mlfb=3SE7120-2DD01



\w9.
\w9.

last change:

Apr 30, 2012