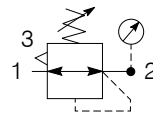


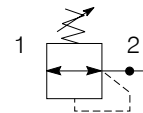
Standard Regulator P33



Symbols



Self relieving regulator with gauge



Non relieving regulator

- Integral 1/2 or 3/4 ports (BSPP & NPT)
- Robust but lightweight aluminium construction
- Secondary pressure ranges 2, 4, 8 & 17 bar
- Secondary aspiration plus balanced poppet provides quick response and accurate pressure regulation.
- Relieving & Non-relieving types
- Non-rising knob

Options:

P 3 3	R A				N		P
Thread type		Port size		Mounting			
BSPP	1	1/2	4	Plastic panel mount nut		P	
NPT	9	3/4	6				
Relief				Adjustment range			
Relieving		B		With round gauge			
Non relieving		N		2 bar; 30 psi; 0.2 MPa	Z		
				4 bar; 60 psi; 0.4 MPa	M		
				8 bar; 125 psi; 0.8 MPa	G		
				17 bar; 250 psi; 1.7 MPa	J		
				Without gauge			
				2 bar; 30 psi; 0.2 MPa	Y		
				4 bar; 60 psi; 0.4 MPa	L		
				8 bar; 125 psi; 0.8 MPa	N		
				17 bar; 250 psi; 1.7 MPa	H		

Port size	Description	Order Code	Flow dm ³ /s (scfm)	Max bar (psi)	Height mm (Inches)	Width mm (Inches)	Depth mm (Inches)
1/2"	8 bar (125 psi) Relieving	P33RA14BNNP	100 (212)	20 (300)	149 (5.9)	73 (2.9)	73 (2.9)
1/2"	8 bar (125 psi) Relieving + Gauge	P33RA14BNGP	100 (212)	20 (300)	149 (5.9)	73 (2.9)	73 (2.9)
3/4"	8 bar (125 psi) Relieving	P33RA16BNNP	100 (212)	20 (300)	149 (5.9)	73 (2.9)	73 (2.9)
3/4"	8 bar (125 psi) Relieving + Gauge	P33RA16BNGP	100 (212)	20 (300)	149 (5.9)	73 (2.9)	73 (2.9)

* flow with 10 bar (145 psig) inlet pressure, 6.3 bar (91.3 psig) set pressure and 1 bar (14.5 psig) pressure drop.

Specifications

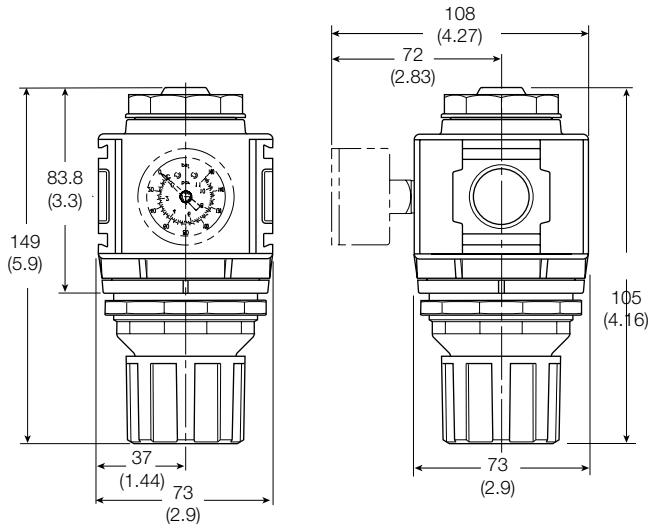
Flow Capacity*	1/2	100 dm ³ /s (212 scfm)
	3/4	100 dm ³ /s (212 scfm)
Operating Temperature	-25°C (-13°F) to 65.5°C (150°F)	
Max Supply Pressure	20 bar (300 psi)	
Adjusting Range Pressure	0-2 bar (30 psi)	
	0-4 bar (60 psi)	
	0-8 bar (125 psi)	
	0-17 bar (250 psi)	
Port Size	BSPP / NPT	1/2, 3/4
Gauge Port (2 ea.)	BSPP / NPT	1/4
Weight	0.62 kg (1.37 lbs)	

* Inlet pressure 10 bar. Secondary pressure 6.3 bar.

Materials of Construction

Body	Aluminium	
Adjustment Knob	Acetal	
Body Cap	ABS	
Bonnet	33% Glass-filled Nylon	
Diaphragm Assembly	Nitrile / Zinc	
Valve Assembly	Brass / Nitrile / Acetal	
Springs	Main Regulating Valve	Steel S.S.
Seals	Nitrile	
Panel Nut	Acetal	

Dimensions



NOTE: Ø 60 mm hole required for panel nut mounting.



WARNING

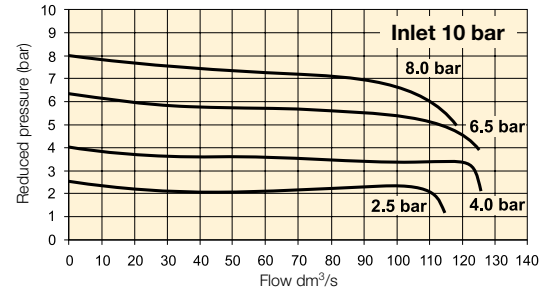
**Product rupture can cause serious injury.
Do not connect regulator to bottled gas.
Do not exceed maximum primary pressure rating.**

CAUTION:

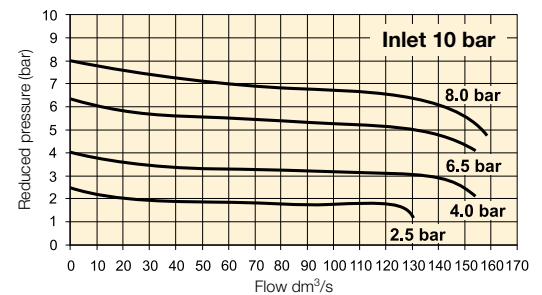
REGULATOR PRESSURE ADJUSTMENT – The working range of knob adjustment is designed to permit outlet pressures within their full range. Pressure adjustment beyond this range is also possible because the knob is not a limiting device. This is a common characteristic of most industrial regulators, and limiting devices may be obtained only by special design. For best performance, regulated pressure should always be set by increasing the pressure up to the desired setting.

Flow Charts

1/2 Regulator



3/4 Regulator



Repair and Service Kits

Panel mount nut - Aluminium	P33KA00MM
Panel mount nut - Plastic	P33KA00MP
Angle Bracket (uses panel mount threads)	P33KA00MR
T-Bracket with body connector	P32KA00MT
T-Bracket	P32KA00MB
Body connector	P32KA00CB

Gauges

50mm (2") Round 1/4" center back mount

for units ordered without square gauge

0-60 PSIG / 0-4 bar / 0-0.4 MPa	P6G-ERB2040
0-160 PSIG / 0-11 bar / 0-1.1 MPa	P6G-ERB2110
0-300 PSIG / 0-20 bar / 0-2 MPa	P6G-ERB2200