

MATERIALS AND FINISHES

BODY ZINC
PLATED NICKEL

CENTER CONTACT PHOSPHOR BRONZE
PLATED GOLD

INSULATOR POLYPROPYLENE (94-V0)

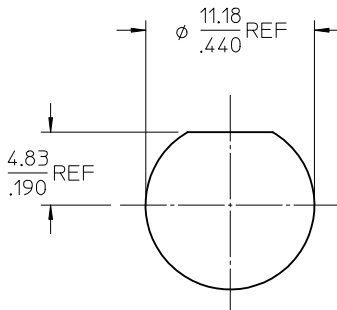
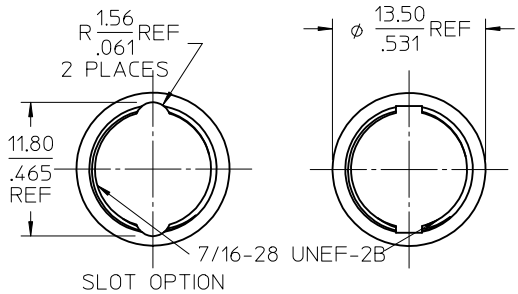
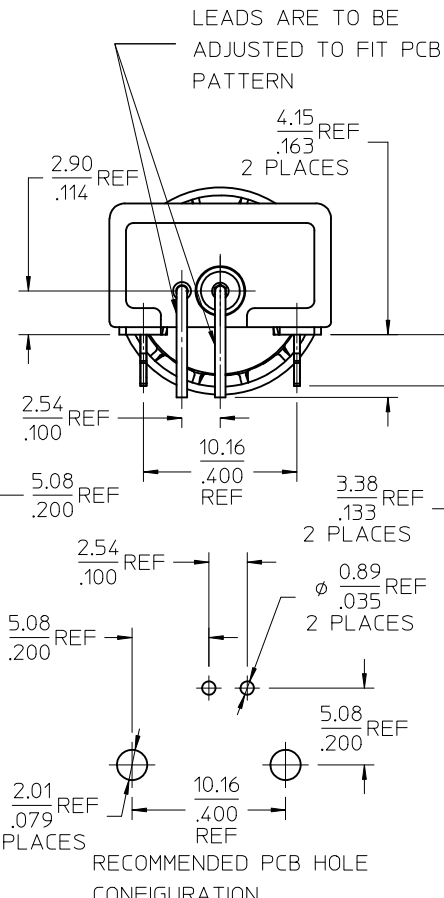
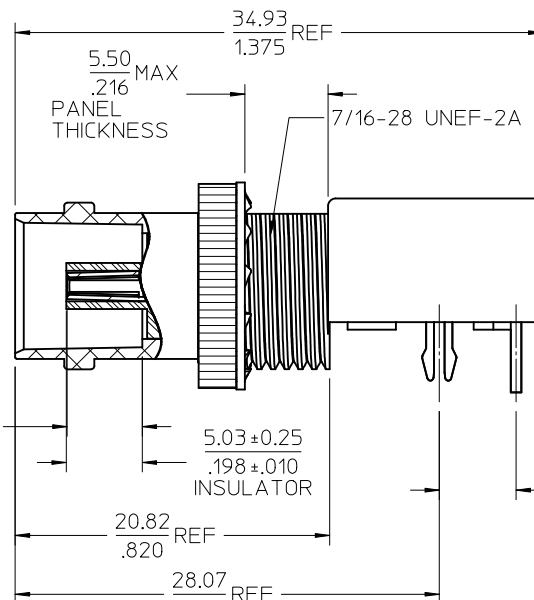
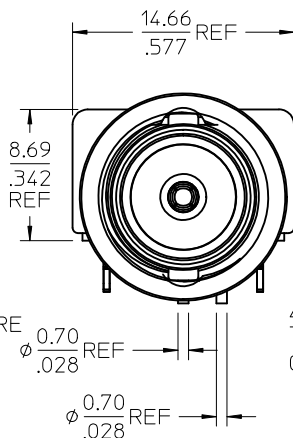
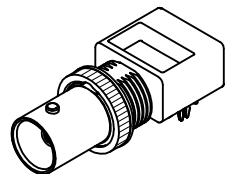
BOARD CLIPS PHOSPHOR BRONZE
PLATED SEE TABLE

SOLDER TAIL(GROUND) COPPER COVERED STEEL WIRE
PLATED SEE TABLE

SOLDER TAIL(CONTACT) BRASS
PLATED SEE TABLE

WASHER PHOSPHOR BRONZE
PLATED NICKEL

NUT BRASS
PLATED NICKEL



RECOMMENDED MOUNTING HOLE
TORQUE: 0.56 N-m(5 INCH-LBS) MAX

73171-0705	73171-0700 NO HARDWARE INCLUDED / TRAY PACK
73171-0704	73171-0701, TRAYS, HARDWARE IN SEPERATE BAG
73171-0703	73171-0700, TRAYS, HARDWARE IN SEPERATE BAG
73171-0702	73171-0700, ONE PER BAG/BRIGHT TIN
73171-0701	PLASTIC TRAYS/MATTE TIN
73171-0700	PLASTIC TRAYS/BRIGHT TIN
PART NO.	PACKAGING/PLATING

PS-89675-1030	ELECTRO/MECH PROFORM.
SPECIFICATION	DESCRIPTION

CHG: 94V-0 WAS 94V-2
PS WAS 73598-0051
EC NO: URF2012-0216
DRWN:WIENER 2011/10/20
CHKD:SSS 2011/10/20
APPR:WIENER 2011/10/20
REV: B5

QUALITY SYMBOLS
▽=0
▽=0

GENERAL TOLERANCES (UNLESS SPECIFIED)
mm INCH
4 PLACES ± --- ± ---
3 PLACES ± --- ± ---
2 PLACES ± --- ± ---
1 PLACE ± --- ± ---
ANGULAR ± 2 °
DRAFT WHERE APPLICABLE
MUST REMAIN
WITHIN DIMENSIONS

DIMENSION STYLE MM/IN
SCALE
DESIGN UNITS METRIC
DRAWN BY DATE
TEF 1999/02/21
CHECKED BY DATE
DHG 1999/02/21
APPROVED BY DATE
GMH 1999/02/21
MATERIAL NO.
SEE TABLE
SIZE C
THIS DRAWING CONTAINS INFORMATION THAT IS PROPRIETARY TO MOLEX INCORPORATED AND SHOULD NOT BE USED WITHOUT WRITTEN PERMISSION

THIRD ANGLE PROJECTION
TITLE
BNC JACK,R/A LOW PROFILE
75 OHMS, EWR-2320
BNC-J/PCB
molex MOLEX INCORPORATED
DOCUMENT NO.
SD-73171-070
SHEET NO.
1 OF 1