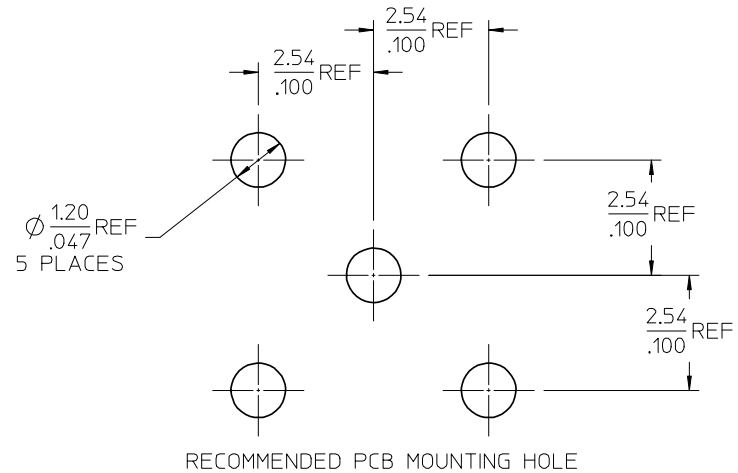
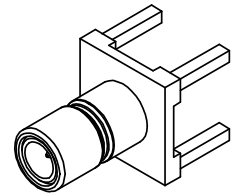
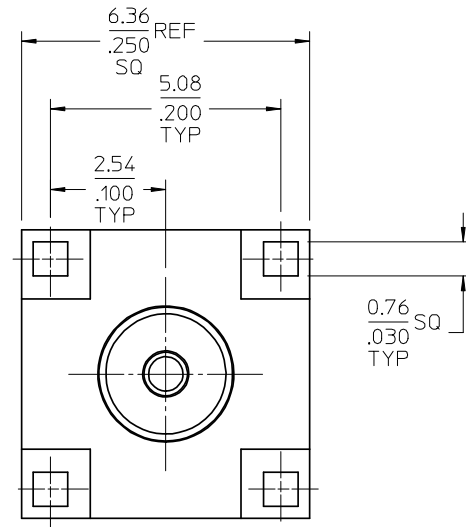
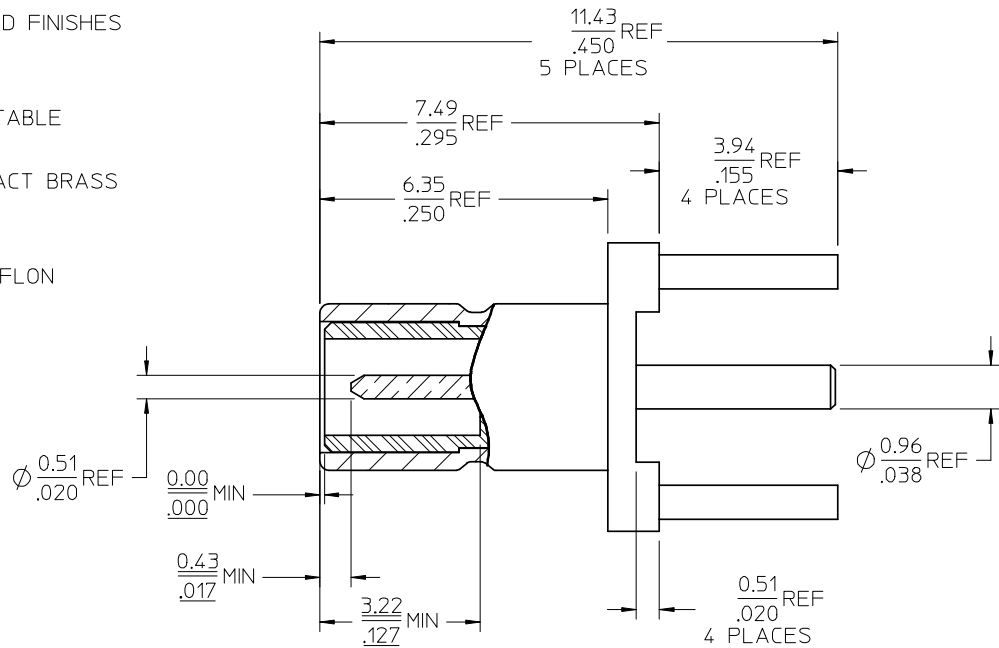


MATERIALS AND FINISHES

BODY BRASS
PLATED SEE TABLE

CENTER CONTACT BRASS
PLATED GOLD

INSULATOR TEFLON



73396-0591	TRAY/NICKEL
73396-0590	SMALL TRAY PACKING/GOLD
73404-2300	73100-0207, ONE PER BAG/GOLD
73100-0207	TRAY/GOLD
PART NO.	PACKAGING/FINISH

PS-73598-0099	INTERFACE
SPECIFICATION	DESCRIPTION

CHG ADDED TABULATION FOR -0591. EC NO: URF2008-0621 DRAWN:ROBERTSON 2008/06/02 CHKD:SSS 2008/06/02 APPR:JWENER 2008/06/02 REV: B3	QUALITY SYMBOLS ▼=0 ▽=0
	DESCRIPTION

GENERAL TOLERANCES (UNLESS SPECIFIED)	DIMENSION STYLE	SCALE	DESIGN UNITS	THIRD ANGLE PROJECTION
	MM/IN		METRIC	
4 PLACES ± ---	mm	DRAWN BY	DATE	TITLE
3 PLACES ± ---	INCH	IRIS WANG	1995/11/03	SMB JACK, VERTICAL PCB
2 PLACES ± ---		CHECKED BY	DATE	50 OHMS
1 PLACE ± ---		APPROVED BY	DATE	SMB-JR/PCB
ANGULAR ± ---°		MATERIAL NO.	DOCUMENT NO.	MOLEX INCORPORATED
DRAFT WHERE APPLICABLE MUST REMAIN WITHIN DIMENSIONS	SIZE	SEE TABLE	SD-73100-0207	SHEET NO. 1 OF 1

THIS DRAWING CONTAINS INFORMATION THAT IS PROPRIETARY TO MOLEX INCORPORATED AND SHOULD NOT BE USED WITHOUT WRITTEN PERMISSION
