

Water Resistant Locks _____

Specifying a product when ordering _____

**AFTER SELECTING THE PRODUCT YOU REQUIRE, PLEASE
ADD THE FOLLOWING:**

1. LOCK SPECIFICATIONSEE 12.10 FOR DETAILS

2. CAM DETAILSSEE 12.30 FOR DETAILS

3. KEYING DETAILSSEE 12.20 FOR DETAILS

**4. FIXING DETAILSSEE 12.20 AND PRODUCT
DATA SHEET FOR DETAILS**

PLEASE CONTACT OUR SALES DEPARTMENT IF YOU REQUIRE HELP

LOWE & FLETCHER LTD

MOORCROFT DRIVE, WEDNESBURY, WEST MIDLANDS, ENGLAND WS10 7DE.

TELEPHONE: 0121 505 0400. FAX: 0121 505 0420. E-MAIL: sales@lowe-and-fletcher.co.uk WEB SITE: www.lowe-and-fletcher.co.uk

Waterproof Locking Devices

Manufactured to IP65 Standards

INTRODUCTION

High product specifications are being continually demanded within the electrical switchgear industry.

A range of products have been produced to meet IP65 standards and an extract from the B.S.I. Booklet BS EN 60947-1: 1992 is given below.

DEGREES OF PROTECTION OF ENCLOSURES FOR LOW-VOLTAGE SWITCHGEAR AND CONTROL GEAR

MARKINGS

Markings used to indicate the degree of protection consist of the letters 'IP', followed by two characteristic numerals signifying respectively conformity to the codes described in Clauses 3 and 4.

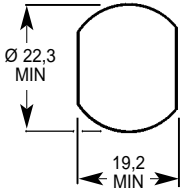
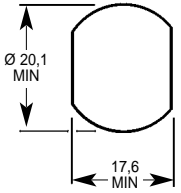
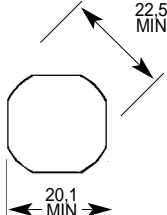
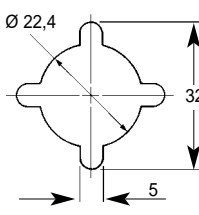
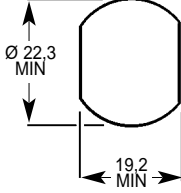
The first characteristic numeral designates the degree of protection of persons against contact with live or moving parts inside the enclosure and of equipment against ingress of solid foreign bodies.

FIRST CHARACTERISTIC NUMERAL	DEGREE OF PROTECTION
6	Complete protection against contact with live or moving parts inside the enclosure. Protection against ingress of dust.

The second characteristic numeral designates the degree of protection against ingress of liquid.

SECOND CHARACTERISTIC NUMERAL	DEGREE OF PROTECTION
5	Protection against water-jets: Water projected by a nozzle from any direction under stated conditions shall have no harmful effect.

FIXING HOLE SIZES (MM)

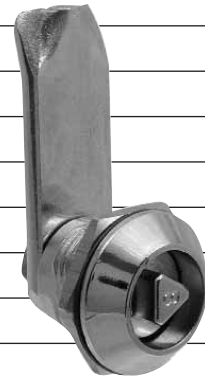
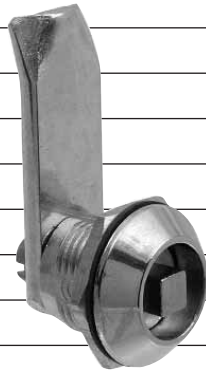
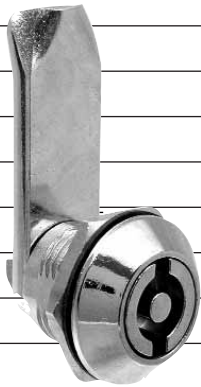
1	2	3	4	5
				
SEE PAGE				
5.20, 5.22, 5.31, 5.32.	5.21	5.11, 5.30	5.33	5.31

LOWE & FLETCHER LTD

MOORCROFT DRIVE, WEDNESBURY, WEST MIDLANDS, ENGLAND WS10 7DE.

TELEPHONE: 0121 505 0400. FAX: 0121 505 0420. E-MAIL: sales@lowe-and-fletcher.co.uk WEB SITE: www.lowe-and-fletcher.co.uk

Spanner Lock

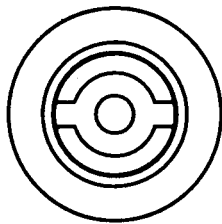


0011/0016

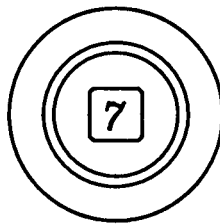
0012/0017

0013/0018

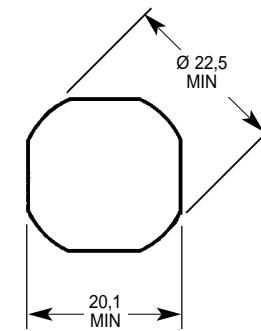
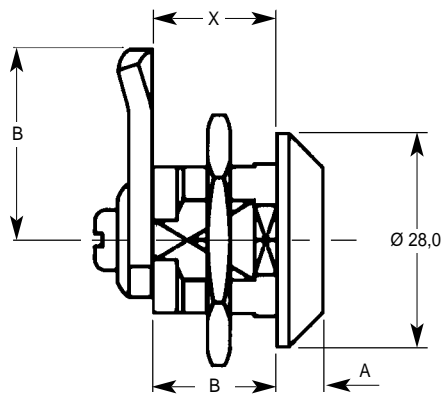
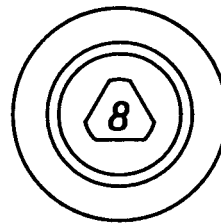
DOUBLE BARB



SQUARE



TRIANGLE



FIXING HOLE SIZE

PRODUCT REFERENCE NUMBERS

TYPE	IP65 RATED A = 6.0 B = 16.1	PLASTIC BODY A = 4.0 B = 18.1	KEY NUMBER
5mm DOUBLE BARB	0011	0016	9304670
3mm DOUBLE BARB	0014	0019	9304672
7mm SQUARE	0012	0017	9304671
8mm TRIANGLE	0013	0018	9304673

STANDARD MOVEMENTS: 1, 2

STANDARD FINISHES: BRIGHT CHROME

BLACK EPOXY

BLACK PLASTIC HOUSING WITH BLACK CHROME BARREL.

EACH LOCK IS SUPPLIED COMPLETE WITH A 0.3mm THICK NITRILE HEAD GASKET.

FOR DETAILS OF CAMS, KEYS AND OTHER ACCESSORIES PLEASE REFER TO SECTION 12

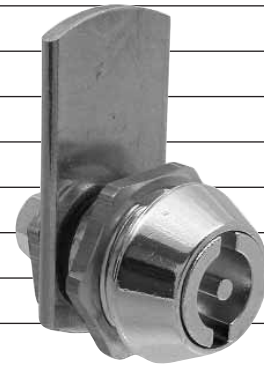
LOWE & FLETCHER LTD

MOORCROFT DRIVE, WEDNESBURY, WEST MIDLANDS, ENGLAND WS10 7DE.

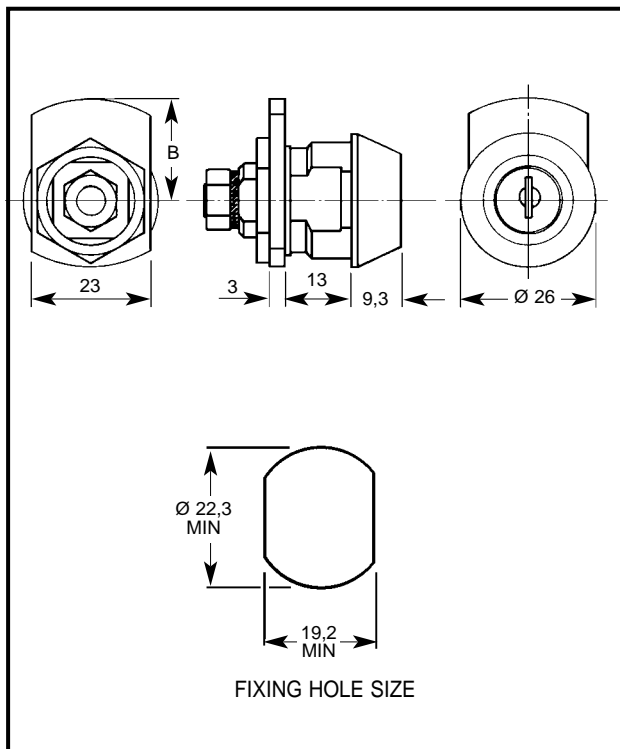
TELEPHONE: 0121 505 0400. FAX: 0121 505 0420. E-MAIL: sales@lowe-and-fletcher.co.uk WEB SITE: www.lowe-and-fletcher.co.uk

Camlock IP 65 Rated

Spannerlock IP 65 Rated



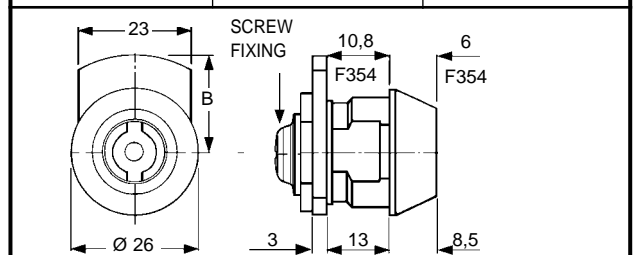
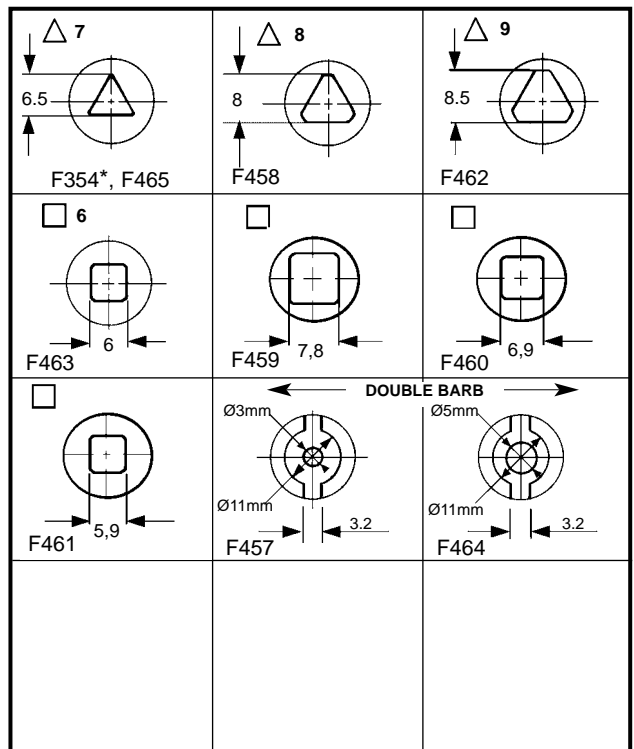
B49/B127



PRODUCT REFERENCE NUMBER		
KEY SERIES	COMBINATIONS	NUT FIXING
A.C.E.	SEE PAGE 12.25	B49
E-	SEE PAGE 12.25	B127 Sealable

MAXIMUM PANEL THICKNESS: 5mm
STANDARD MOVEMENTS: 3, 9
STANDARD FINISH: BRIGHT CHROME
 This lock conforms to the following French standard: N.F.C. 20010 April 1977 IPF 559
 An O ring prevents water from penetrating into the cabinets through the lock mechanism. It is essential for the customer to fit a sealing ring between the head of the lock and the door of the cabinet.
 The lock is supplied with a selection of different key numbers all of which are regarded as standard in the European Switchgear Industry. The barrel of the lock can be removed by unscrewing the nut fitted behind the cam holder. It is therefore possible to change the combination of the lock by changing the barrel without the necessity of changing the whole lock. Many customers manufacture the cam to their own particular specification. A standard range of cams does however exist and customers wishing to buy locks complete with cams are requested to submit a drawing of the cam required.

F457



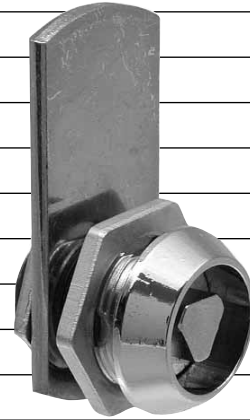
STANDARD MOVEMENTS: 1
STANDARD FINISH: BRIGHT CHROME
 This lock conforms to the following French standard: N.F.C. 20010 April 1977 IPF 559
 An O ring prevents water from penetrating into the cabinets through the lock mechanism. It is essential for the customer to fit a sealing ring between the head of the lock and the door of the cabinet.
 The barrel of the lock can be removed by unscrewing the nut fitted behind the cam holder. It is therefore possible to change the shape of the barrel without the necessity of changing the whole lock.
 Many customers manufacture the cam to their own particular specification. A standard range of cams does however exist and customers wishing to buy locks complete with cams are requested to submit a drawing of the cam required.
 *F354 Cam rivetted on

LOWE & FLETCHER LTD

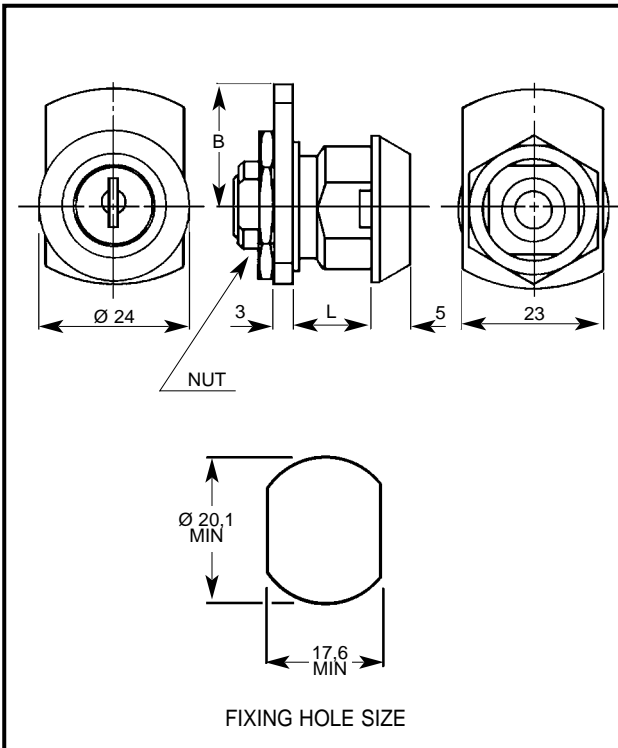
MOORCROFT DRIVE, WEDNESBURY, WEST MIDLANDS, ENGLAND WS10 7DE.
 TELEPHONE: 0121 505 0400. FAX: 0121 505 0420. E-MAIL: sales@lowe-and-fletcher.co.uk WEB SITE: www.lowe-and-fletcher.co.uk

Camlock

Spannerlock



F5



PRODUCT REFERENCE NUMBER

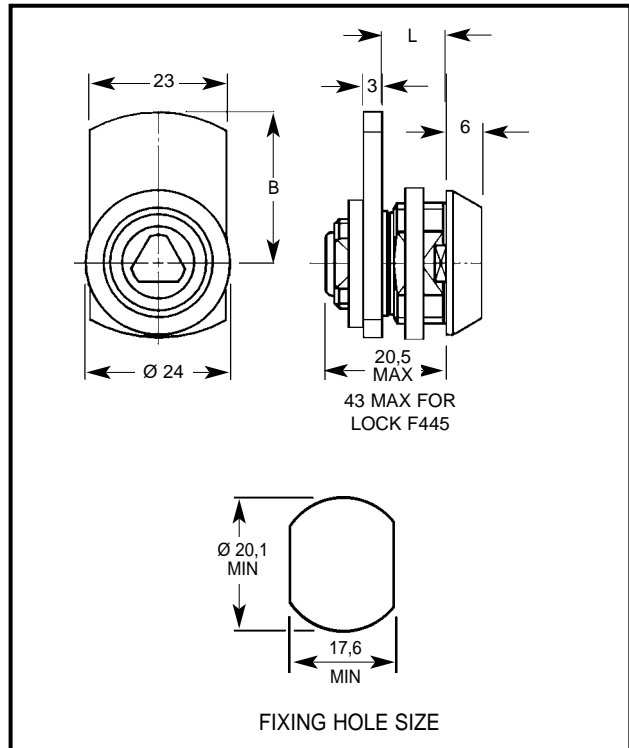
TYPE	L = 13MM	L = 19MM	L = 33MM
A.C.E.	F5A.C.E.	F6A.C.E.	F7A.C.E.
9000 M	F5	F6	F7
SHUTTERED			
9000	F55	F56	F57

STANDARD MOVEMENT: 1, 2, 3, 4

M = MASTER KEY SYSTEM: SUPPLIED TO ORDER ONLY

COMBINATIONS A.C.E. SEE PAGE 12.25

F48



PRODUCT REFERENCE NUMBER

TYPE	L = 11MM	L = 33MM
7 Triangle	F354	F7B *
8 Triangle	F48	F174 *
9 Triangle	-	F146 *
Double Barb 3mm	-	F445 *
7 Square	F504	-
8 Square	-	F274

STANDARD MOVEMENT: 8

STANDARD FINISH: BRIGHT CHROME

FOR DETAILS OF CAMS, KEYS AND OTHER ACCESSORIES, PLEASE REFER TO SECTION 12.

* WITH COMPRESSION SPRING

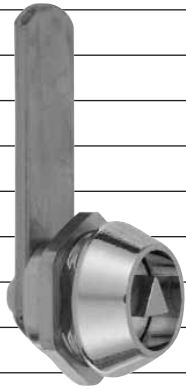
LOWE & FLETCHER LTD

MOORCROFT DRIVE, WEDNESBURY, WEST MIDLANDS, ENGLAND WS10 7DE.

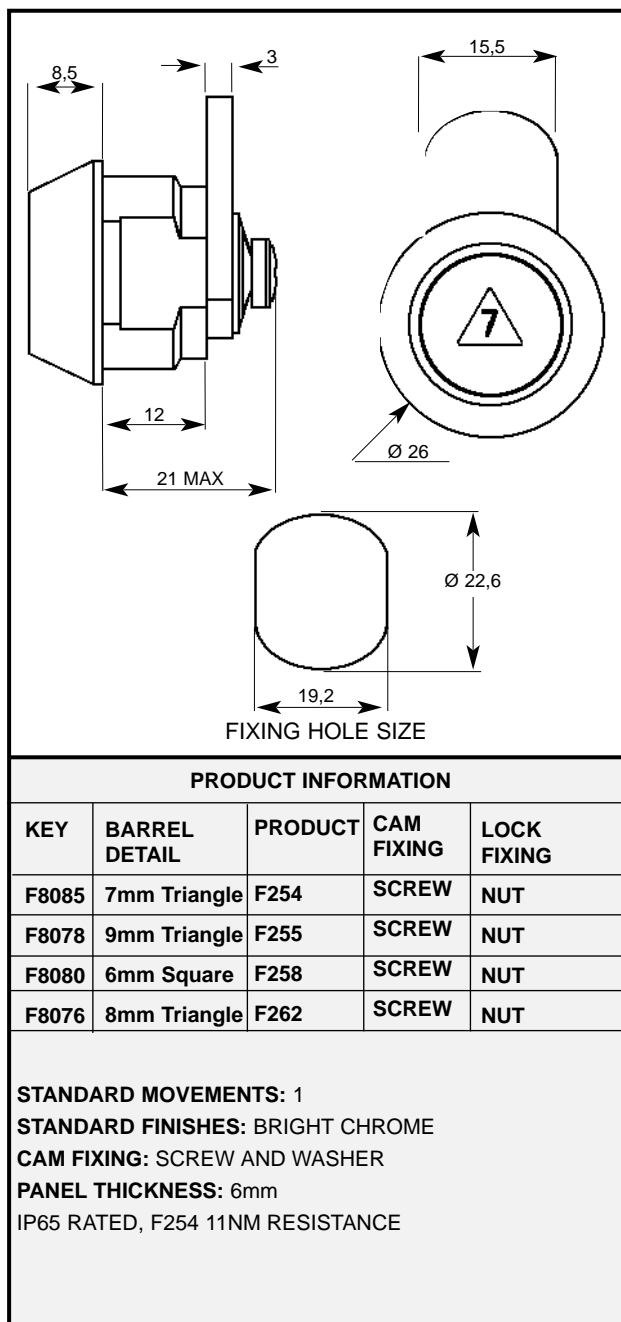
TELEPHONE: 0121 505 0400. FAX: 0121 505 0420. E-MAIL: sales@lowe-and-fletcher.co.uk

WEB SITE: www.lowe-and-fletcher.co.uk

Spannerlock IP 65 Rated



F254

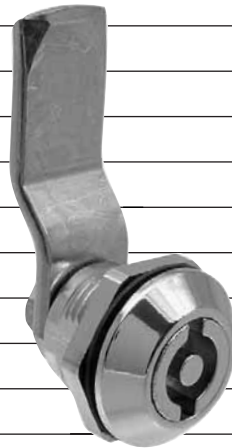


LOWE & FLETCHER LTD

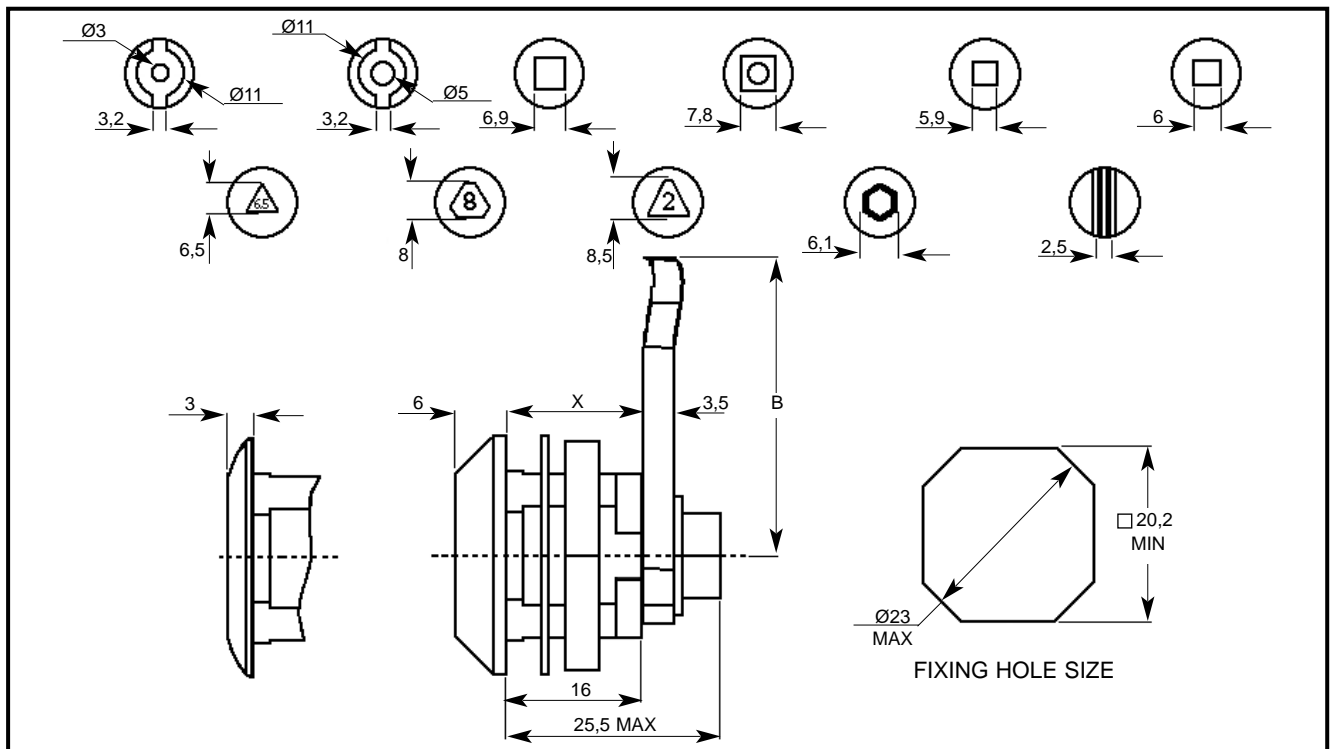
MOORCROFT DRIVE, WEDNESBURY, WEST MIDLANDS, ENGLAND WS10 7DE.

TELEPHONE: 0121 505 0400. FAX: 0121 505 0420. E-MAIL: sales@lowe-and-fletcher.co.uk WEB SITE: www.lowe-and-fletcher.co.uk

Spannerlock IP 65 Rated



F183



PRODUCT REFERENCE NUMBER

TYPE	LOCK REFERENCE		KEY REFERENCE
	6MM HEAD THICKNESS	3MM HEAD THICKNESS	
3MM DOUBLE BARB	F188	F470	Ø13.3MM F8074
5MM DOUBLE BARB	F183	F471	F8075
7MM SQUARE	F184	F477	F8082
8MM SQUARE	F186	F478	F8083
6MM SQUARE	F187	F475	F8081, F8088(Ø11MM)
6MM SQUARE FEMALE	F345	F476	F8080
6.5MM TRIANGLE	F208	F472	F8077, F8197(Ø11MM)
8MM TRIANGLE	F185, F290*	F473	F8076
9MM TRIANGLE	F209	F474	F8078
6MM SIX SIDED LOCK	-	F480	-
2.5MM SLOT	F286, F297*, F307*	F479	-

STANDARD MOVEMENT: 8, 9 STANDARD FINISH: BRIGHT CHROME, BLACK EPOXY MAX PANEL THICKNESS: 8MM
 CAM FIXED WITH A SCREW EXCEPT REFERENCES* CAM RIVETED. LOCK SUPPLIED WITH 0.8MM 'O' RING PLACED
 BETWEEN LOCK HEAD AND PANEL. FOR DETAILS OF CAMS AND OTHER ACCESSORIES, PLEASE REFER TO SECTION 12.

LOWE & FLETCHER LTD

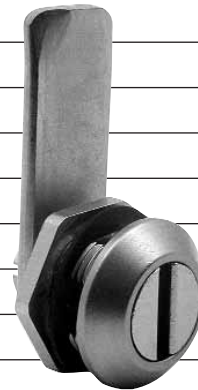
MOORCROFT DRIVE, WEDNESBURY, WEST MIDLANDS, ENGLAND WS10 7DE.

TELEPHONE: 0121 505 0400. FAX: 0121 505 0420. E-MAIL: sales@lowe-and-fletcher.co.uk WEB SITE: www.lowe-and-fletcher.co.uk

Camlock IP 55 Rated

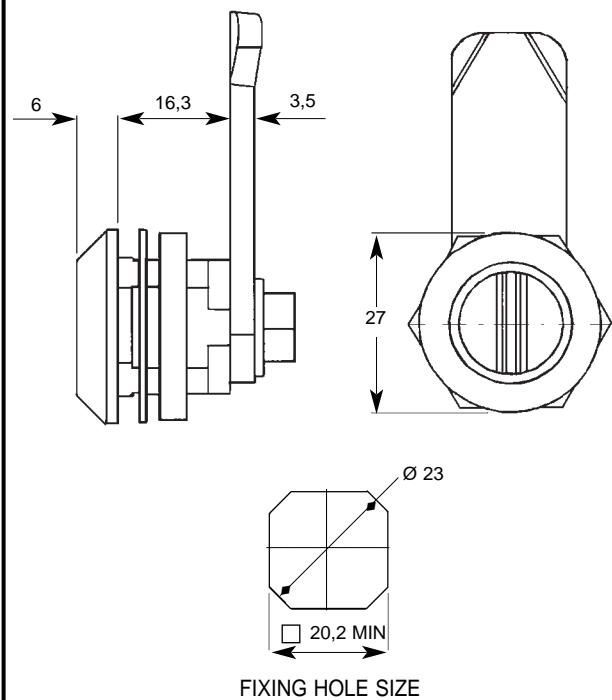
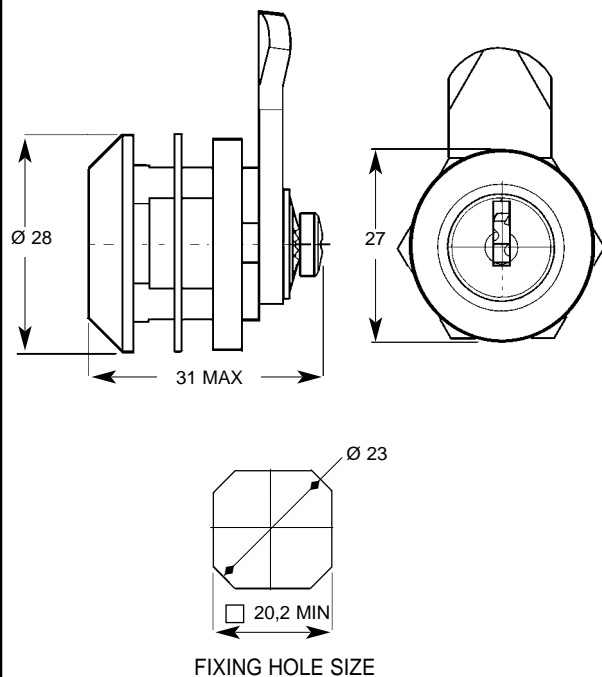
Budget Lock

IP 55 Rated



F328

F286



PRODUCT REFERENCE NUMBERS

PRODUCT REFERENCE NUMBERS

KEY SERIES	CAM FIXING	
	SCREW	RIVETED
ACEYZ	F328	-
ACEYZ	-	F287
8mm Triangle	-	F290

NUT FIXING
F286

CAM: 15.5x3mm OR 18x3.5mm MIN THICKNESS 3mm
MAXIMUM PANEL THICKNESS: 9mm
STANDARD MOVEMENTS: 3
STANDARD FINISH: BRIGHT CHROME
 IP55 RATED - GASKET SUPPLIED
 FOR DETAILS OF CAMS PLEASE REFER TO SECTION 12.

MAXIMUM PANEL THICKNESS: 9mm
STANDARD MOVEMENTS: 1
STANDARD FINISH: BRIGHT CHROME
 OPERATED BY A SCREW DRIVER OR COIN
 FOR DETAILS OF CAMS PLEASE REFER TO SECTION 12.

LOWE & FLETCHER LTD

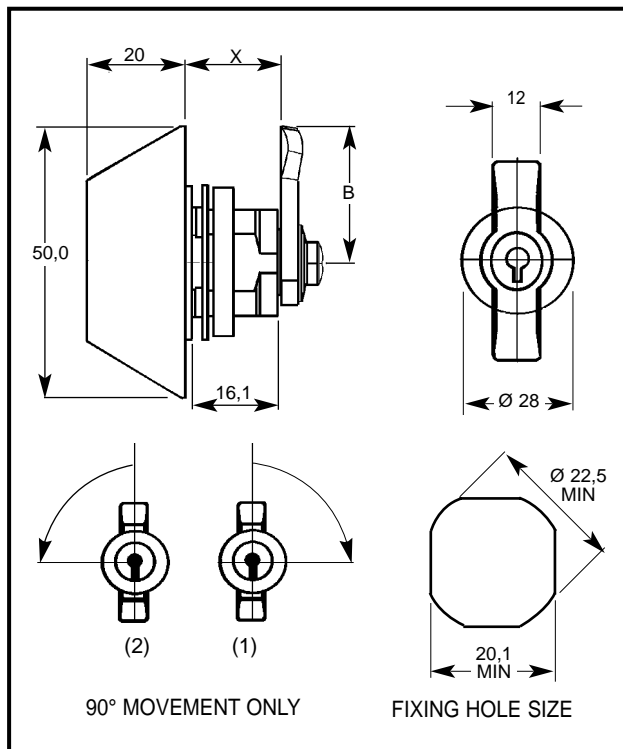
MOORCROFT DRIVE, WEDNESBURY, WEST MIDLANDS, ENGLAND WS10 7DE.
 TELEPHONE: 0121 505 0400. FAX: 0121 505 0420. E-MAIL: sales@lowe-and-fletcher.co.uk WEB SITE: www.lowe-and-fletcher.co.uk

Wing Handle

IP 65 Rated



0025



PRODUCT REFERENCE NUMBER			
KEY SERIES	COMBINATIONS	TYPE	REFERENCE NUMBER
92 M	200	LOCKING	0025
93E M	500	LOCKING	0035 / 0036
A/E	-	SEE PAGE 12.25	0032 / 0037
C/Y	-	SEE PAGE 12.25	0033 / 0034
-	-	NON LOCKING	0026

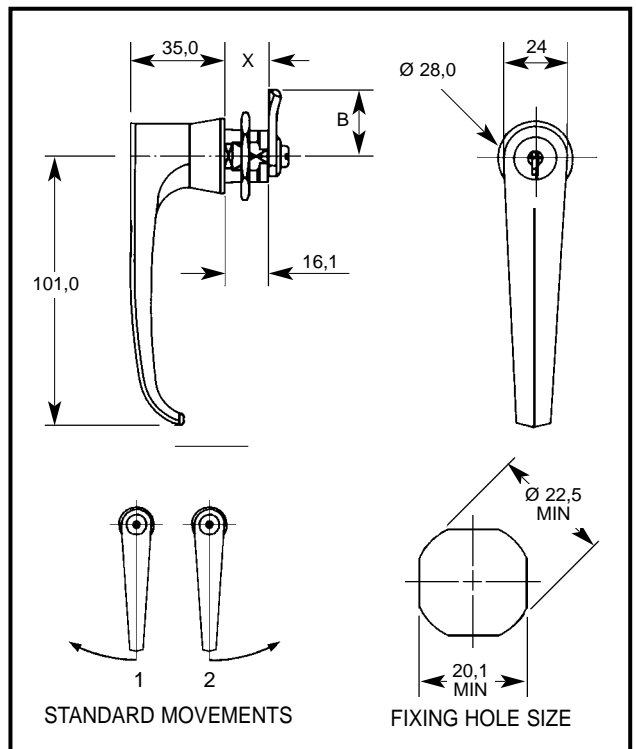
M = MASTER KEY SYSTEM: SUPPLIED TO ORDER ONLY
 STANDARD FINISHES: BRIGHT CHROME, EPOXY
 STANDARD MOVEMENTS: 1, 2
 EACH LOCK IS SUPPLIED WITH A 0.3mm THICK NITRILE HEAD GASKET. F388 SUPPLIED WITH STAINLESS STEEL CAP, F389 SUPPLIED WITH DUST COVER.
 FOR DETAILS OF CAMS AND OTHER ACCESSORIES REFER TO SECTION 12.

L Handle

IP 65 Rated



0023



PRODUCT REFERENCE NUMBER			
KEY SERIES	COMBINATIONS	TYPE	REFERENCE NUMBER
92 M	200	LOCKING	0023
		NON LOCKING	0024

M = MASTER KEY SYSTEM: SUPPLIED TO ORDER ONLY
 STANDARD FINISHES: BRIGHT CHROME, EPOXY
 STANDARD MOVEMENTS: 1, 2
 EACH LOCK IS SUPPLIED COMPLETE WITH A 0.3mm THICK NITRILE HEAD GASKET
 FOR DETAILS OF CAMS AND OTHER ACCESSORIES REFER TO SECTION 12

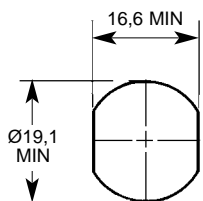
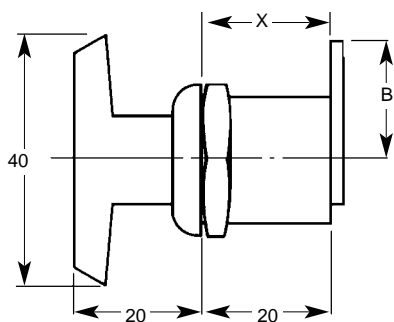
LOWE & FLETCHER LTD

MOORCROFT DRIVE, WEDNESBURY, WEST MIDLANDS, ENGLAND WS10 7DE.
 TELEPHONE: 0121 505 0400. FAX: 0121 505 0420. E-MAIL: sales@lowe-and-fletcher.co.uk WEB SITE: www.lowe-and-fletcher.co.uk

Mini Handle IP 65 Rated — T Handle Small IP 65 Rated



2609



FIXING HOLE SIZE

PRODUCT REFERENCE NUMBERS

NUT FIXED HOUSING

KEY SERIES	COM-BINATIONS	TYPE	HANDLE WITH SINGLE CAM
800 D/E	100	LOCKING	2609
		NON-LOCKING	2630

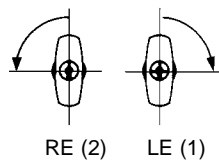
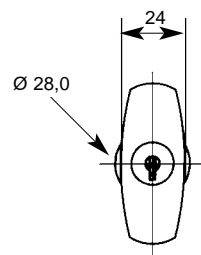
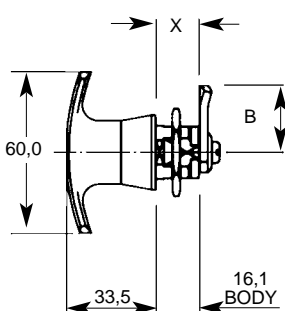
STANDARD MOVEMENTS: 3, 4

STANDARD FINISHES: 1. BLACK PPC
2. BRIGHT CHROME

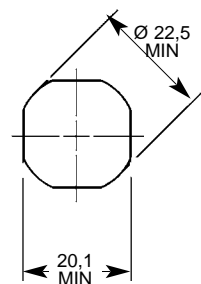
FOR ACCESSORIES SEE SECTION 12



0021



90° MOVEMENT ONLY



FIXING HOLE SIZE

PRODUCT REFERENCE NUMBERS

KEY SERIES	COM-BINATIONS	TYPE	REFERENCE NUMBER
92 M	200	LOCKING	0021
		NON-LOCKING	0022

M = MASTER KEY SYSTEM: SUPPLIED TO ORDER ONLY

STANDARD MOVEMENTS: 1, 2

STANDARD FINISHES: BRIGHT CHROME
EPOXY

EACH LOCK IS SUPPLIED COMPLETE WITH A 0.3mm THICK NITRILE HEAD CASSET

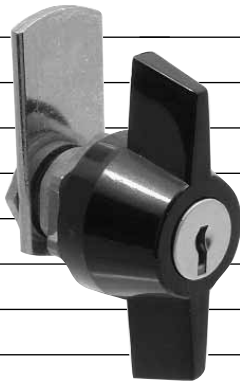
FOR DETAILS OF CAMS AND OTHER ACCESSORIES REFER TO SECTION 12

LOWE & FLETCHER LTD

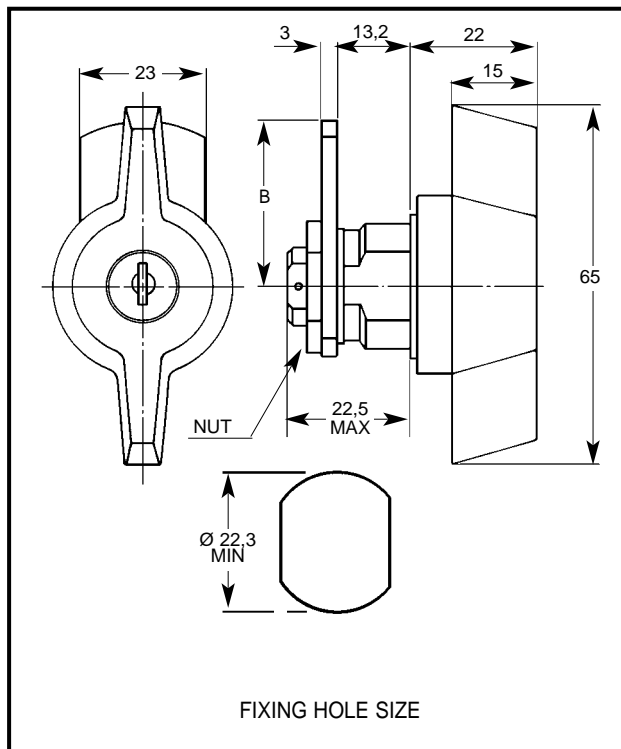
MOORCROFT DRIVE, WEDNESBURY, WEST MIDLANDS, ENGLAND WS10 7DE.

TELEPHONE: 0121 505 0400. FAX: 0121 505 0420. E-MAIL: sales@lowe-and-fletcher.co.uk WEB SITE: www.lowe-and-fletcher.co.uk

Wing Handle



B90



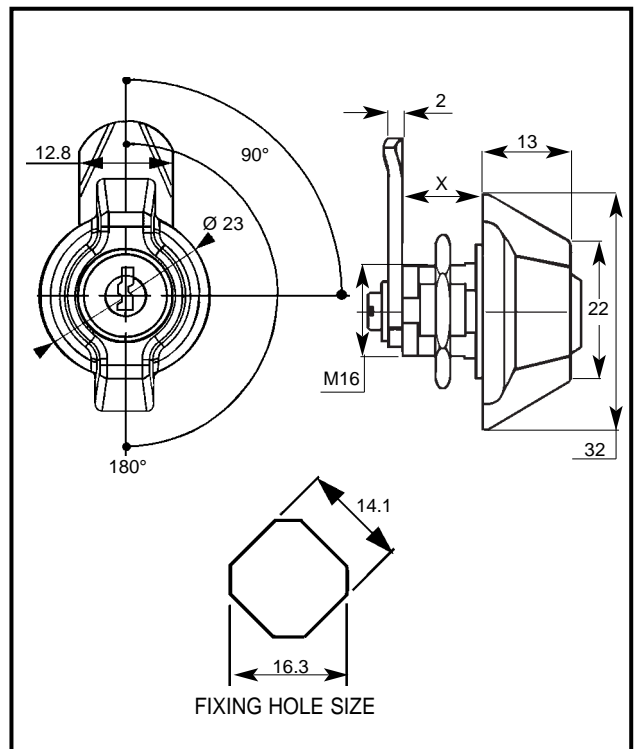
PRODUCT REFERENCE NUMBER				
KEY SERIES	COMBINATIONS	LOCKING	NON LOCKING	FIXED
C + Y	SEE PAGE 12.25	B90	B91	B92
<p>STANDARD MOVEMENTS: 3</p> <p>STANDARD FINISHES: GREY OR BLACK PLASTIC</p> <p>THESE ATTRACTIVELY STYLED PLASTIC MOULDED WINGED HANDLES ARE FIXED IN A ROBUST DIE-CAST ZINC ROSE. B90 AND B91 ARE SUPPLIED WITH WATER-PROOF SEALS TO PREVENT INGRESS OF WATER INTO THE CABINET.</p> <p>NEW DESIGN SEE F426</p>				

Wing Handle

IP 65 Rated



B675/B864



PRODUCT REFERENCE NUMBER			
KEY SERIES	COMBINATIONS	NUT FIXING	DIM X
SPECIAL	ON REQUEST	B675	13.5MM
SPECIAL	20	B603	13.5 MM
NON LOCKING		B701	13.5MM
800 \mathbb{M}	200	B864	13.0MM
<p>\mathbb{M} = MASTER KEY SYSTEM: SUPPLIED TO ORDER ONLY</p> <p>STANDARD MOVEMENT: 1</p> <p>STANDARD FINISH: BLACK EPOXY (BARREL: NICKEL)</p> <p>THE HANDLE IS SUPPLIED WITH WATERPROOF SEALS TO PREVENT INGRESS OF WATER INTO THE CABINET.</p>			

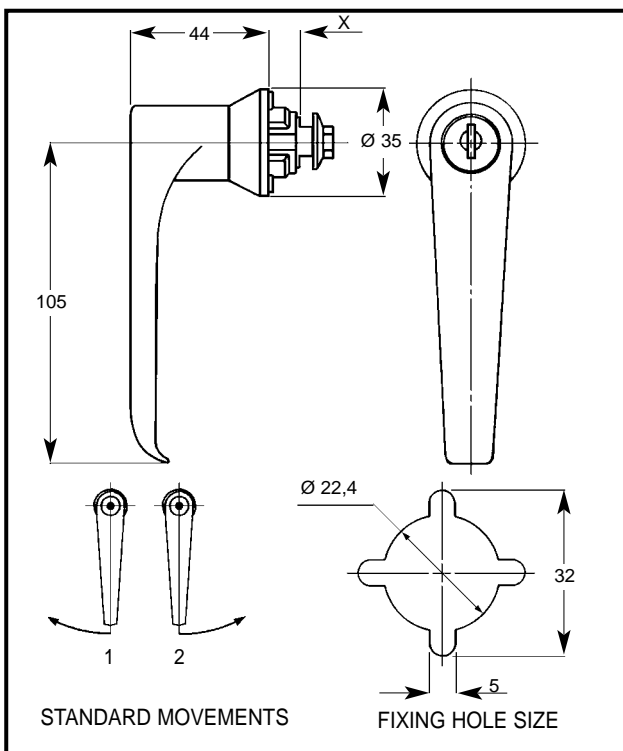
LOWE & FLETCHER LTD

MOORCROFT DRIVE, WEDNESBURY, WEST MIDLANDS, ENGLAND WS10 7DE.
 TELEPHONE: 0121 505 0400. FAX: 0121 505 0420. E-MAIL: sales@lowe-and-fletcher.co.uk WEB SITE: www.lowe-and-fletcher.co.uk

L Handle IP 65 Rated



B72



PRODUCT REFERENCE NUMBER

KEY SERIES	COMBINATIONS	LOCKING	
		X=9mm	X=11mm
A + E	See Page 12.25	B72	B86
C	See Page 12.25	B85	
6.5 Triangle			F13
Non Locking			F239
Double Barb Ø3			F26
9000	500	1692, 1697	

STANDARD MOVEMENTS: 1, 2

STANDARD FINISH: BRIGHT CHROME, 1697 WITH DUST COVER

This lock conforms to the following French standard: NF.C. 20010 April 1977 IPF 55. An O ring prevents water from penetrating into the cabinets through the lock mechanism. It is essential for the customer to fit a sealing ring between the head of the lock and the door of the cabinet.

LOWE & FLETCHER LTD

MOORCROFT DRIVE, WEDNESBURY, WEST MIDLANDS, ENGLAND WS10 7DE.

TELEPHONE: 0121 505 0400. FAX: 0121 505 0420. E-MAIL: sales@lowe-and-fletcher.co.uk WEB SITE: www.lowe-and-fletcher.co.uk

Wing Handle

IP 65 Rated



F426

FIXING HOLE SIZE

PRODUCT REFERENCE NUMBER		
KEY SERIES	COMBINATIONS	NUT FIXING
A,C,E,Y	See Page 12.25	F426
		F486
		F487

STANDARD MOVEMENTS: 3
STANDARD FINISH: BLACK PLASTIC HANDLE
WATER RESISTANT
 OTHER COLOURS AVAILABLE ON REQUEST
 F426 IS SUPPLIED WITH AN 'O' RING
 F426 LOCKING, F486 NON LOCKING, F487 FIXED

Mini Handle

IP 65 Rated



B937/B965/B973

FIXING HOLE SIZE

PRODUCT REFERENCE NUMBER		
KEY SERIES	COMBINATIONS	NUT FIXING
SPECIAL	20	B937
800 M	200	B965
31 M	500	B973

M = MASTER KEY SYSTEM: SUPPLIED TO ORDER ONLY
STANDARD MOVEMENTS: 3
STANDARD HANDLE MOVEMENT: 1
STANDARD FINISH: BLACK PLASTIC
 THE HOUSING OF THE HANDLE IS MADE FROM MAZAK WITH AN OVERMOULDED PLASTIC HEAD.
 EACH LOCK IS SUPPLIED WITH A WATER RESISTANT SEAL.

LOWE & FLETCHER LTD

MOORCROFT DRIVE, WEDNESBURY, WEST MIDLANDS, ENGLAND WS10 7DE.

TELEPHONE: 0121 505 0400. FAX: 0121 505 0420. E-MAIL: sales@lowe-and-fletcher.co.uk WEB SITE: www.lowe-and-fletcher.co.uk