



NEOZED-FLUSH MOUNTING FUSE BASE MOLDED PLASTIC,  
 D01 3-POLE TOUCH PROTECTION (BGV A2) ACCESS:  
 ELEVATOR TERMINAL OUTGOING: ELEVATOR  
 TERMINAL 16A,  
 AC 400V/DC 250V

Similar to image

**Technical data:**

<b>Design type</b>		NEOZED fuse system
<b>Type, explanations</b>		NEOZED convenience fuse base made of molded plastic
<b>Type, explanations / additionally</b>		with touch protection BGV A3
<b>Number of poles</b>		3
<b>Type of mounting</b>		DIN rail
<b>Operating current / rated value</b>	A	16
<b>Operating voltage / rated value</b>	V	400
<b>Material / of D fuse base</b>		others
<b>Product component / Cover</b>		Yes
<b>Size of the fallback-system / acc. to DIN EN 60269-1</b>		D01
<b>Service position (permissible)</b>		variable, preferably vertically
<b>Degree of protection / [not supplied - in accordance with DIN EN 60529]</b>		IP20, with connected conductors

**Certificates/approvals:**

<b>General Product Approval</b>	<b>Declaration of Conformity</b>	<b>Test Certificates</b>
---------------------------------	----------------------------------	--------------------------

[ROSTEST](#)



[Manufacturer](#)

[Manufacturer](#)

**Further information:**

**Information- and Downloadcenter (Catalogs, Brochures,...)**

<http://www.siemens.com/lowvoltage/catalogs>

**Industry Mall (Online ordering system)**

<http://www.siemens.com/lowvoltage/mall>

**Service&Support (Manuals, Certificates, Characteristics, FAQs,...)**

<http://support.automation.siemens.com/WW/view/en/5SG5301/all>

**Image database (product images, 2D dimension drawings, 3D models, device circuit diagrams, ...)**

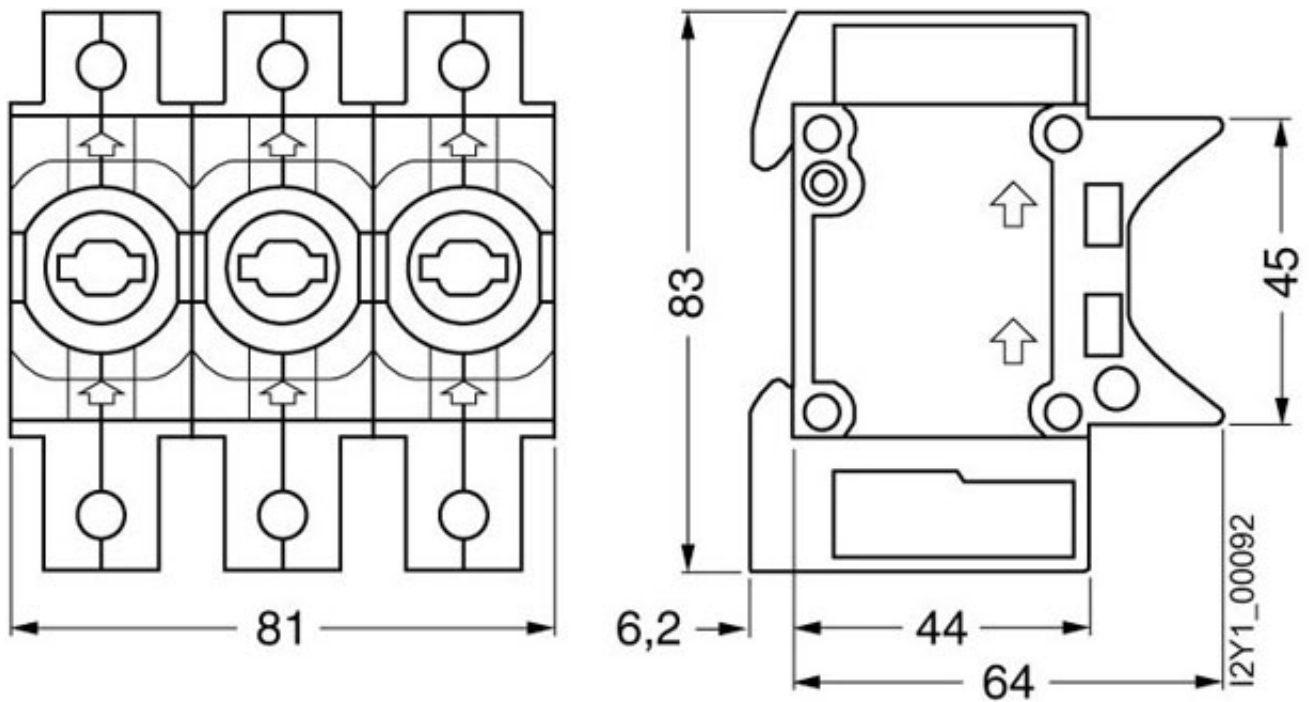
[http://www.automation.siemens.com/bilddb/cax\\_en.aspx?mlfb=5SG5301](http://www.automation.siemens.com/bilddb/cax_en.aspx?mlfb=5SG5301)

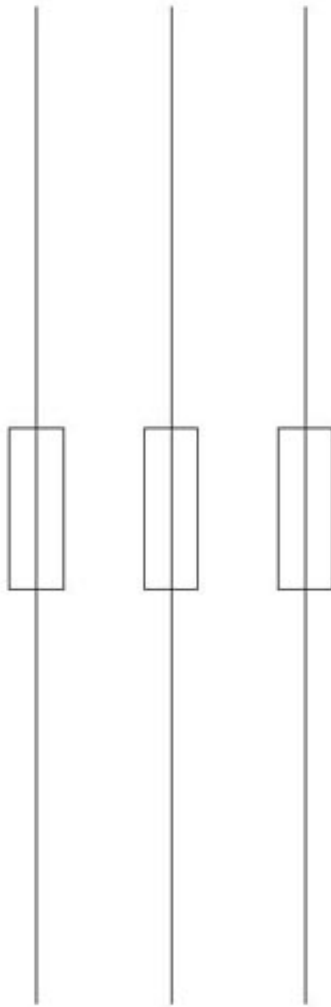
**CAX-Online-Generator**

<http://www.siemens.com/cax>

**Tender specifications**

[Datanorm GAEB81](#) [GAEB83](#) [RTF](#) [TXT](#)





**last change:**

Aug 26, 2011