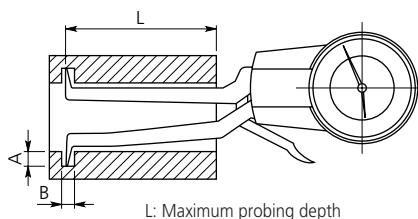
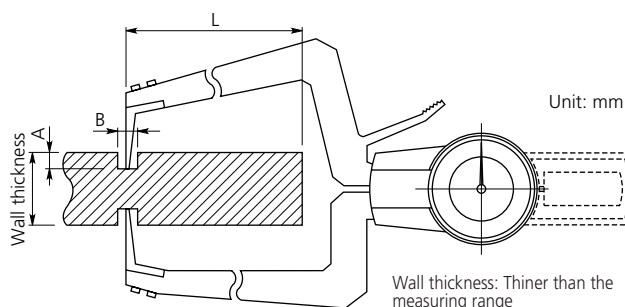


Dimensions



L: Maximum probing depth

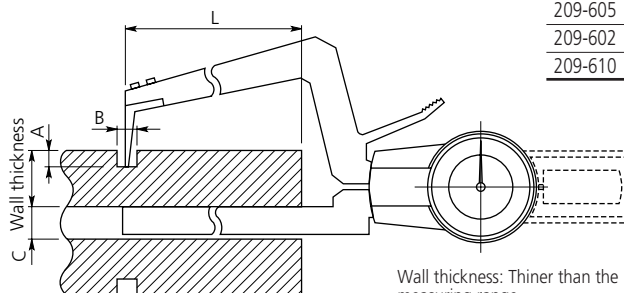
Order No.	L	A	B
209-608	80	4.5	2.0
209-609	80	6.5	2.5
209-600	80	6.5	2.5
209-884	80	9.5	3.0
209-885	80	9.5	3.0
209-886	80	9.5	3.0
209-887	80	9.5	3.0
209-888	80	9.5	3.0
209-896	175	4.5	3.0
209-897	175	9.5	3.0
209-898	175	9.5	3.0



Unit: mm

Wall thickness: Thinner than the measuring range  
L: Maximum probing depth

Order No.	L	A	B
209-601	80	10	5
209-605	80	10	5
209-602	170	20	7
209-610	170	20	7



Wall thickness: Thinner than the measuring range  
L: Maximum probing depth

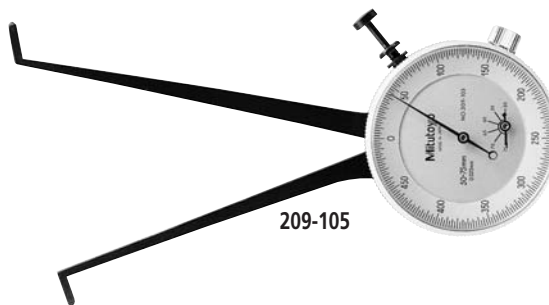
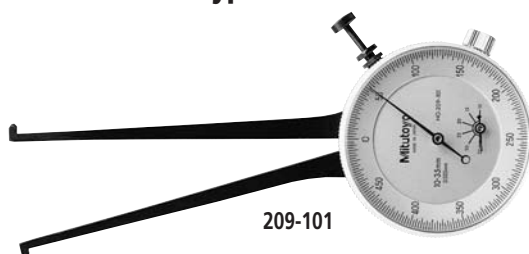
Order No.	L	A	B	C
209-607	80	10	5	10
209-606	80	10	5	10
209-604	170	20	7	12
209-611	170	20	7	12

DIAL INDICATORS



# Dial Caliper Gages

## SERIES 209 — Internal Type



These Dial Caliper Gages are used only as comparison gages, and should be used along with a Setting Ring or a micrometer. The caliper is spring loaded and makes point contact at constant measuring pressure.

### SPECIFICATIONS

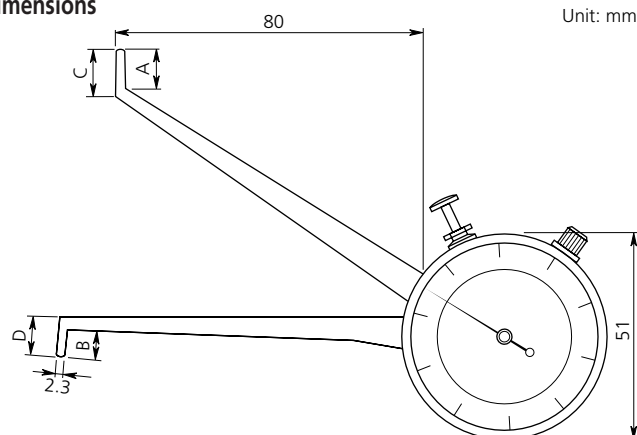
**Metric**

Graduation	Range	Order No.	Mass	Throat depth
0.025mm	10 - 35mm	209-101	82g	80mm
	30 - 55mm	209-103	82g	80mm
	50 - 75mm	209-105	82g	80mm

**Inch**

Graduation	Range	Order No.	Mass	Throat depth
.001"	.4" - 1.4"	209-111	.18 lbs.	3.15"
	1.2" - 2.2"	209-113	.18 lbs.	3.15"
	2" - 3"	209-115	.18 lbs.	3.15"

Dimensions



Unit: mm