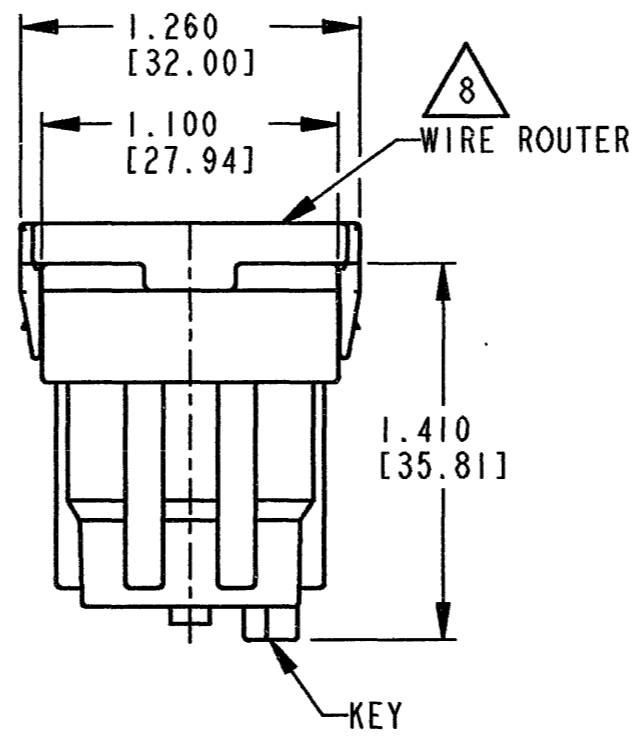
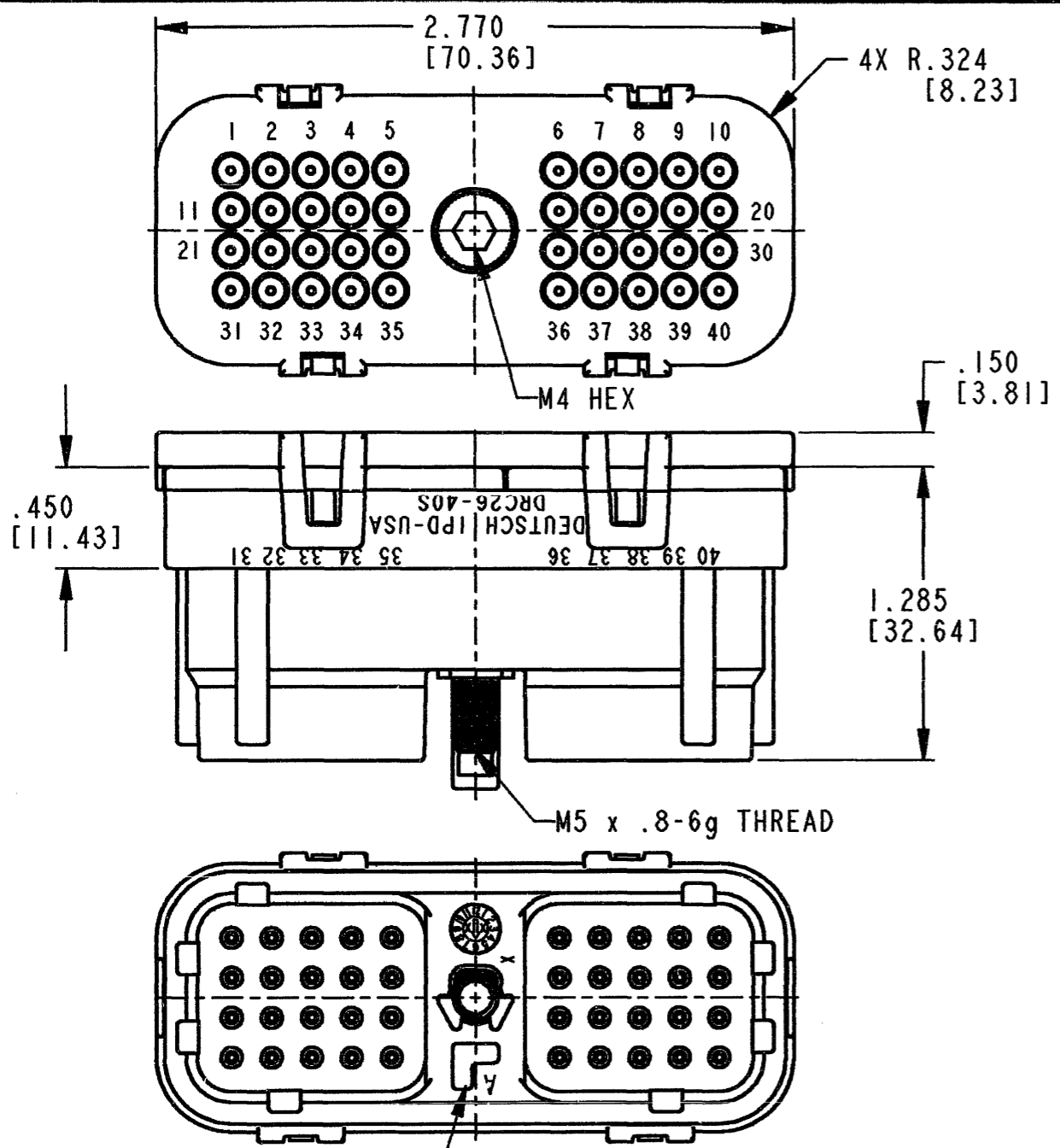


REV B DRC26-40S*-L011

REVISIONS			
SYM	DESCRIPTION	DATE	APPROVED
NC	NEW RELEASE PER E.O. A14575	3-30-34	J.A.
A	REVISED PER E.O. A14773	12-2-94	R.D./R.
B	REDRAWN & REVISED PER E.O. P18865	3-31-05	RDR



DRC26-40SA-L011

DRC26-40SB-L011

DRC26-40SC-L011

DRC26-40SD-L011



CONTACT SIZE	MIN. INSUL. O.D.	MAX. INSUL. O.D.	WIRE RANGE [mm ²] REF ONLY
20	.040 [1.016]	.095 [2.413]	16-20 AWG [1.0-0.5]

SEE KEY ORIENTATION

5. THIS PLUG MATES WITH DRC23-40P*-**** RECEPTACLE. (* = A,B,C,D KEYS; **** = ALL MODIFICATIONS)

4 FOR CONTACT AND WIRE PERFORMANCE AND APPLICATION CHARACTERISTICS SEE ENVELOPE DRAWING 0425-015-0000.

3. PLUG IS SUPPLIED WITH DUST CAP (NOT SHOWN).

2. DIMENSION TOLERANCE: ±.025 [1.635]

1. DIMENSIONS ARE IN INCHES [mm].

NOTES: UNLESS OTHERWISE SPECIFIED

8 PART MODIFICATION: WIRE ROUTER ONTO PLUG.

7. MATERIAL: HOUSING: PLASTIC (BLACK); BOLT: STAINLESS STEEL; CLIP: STEEL; GROMMET: RUBBER.

6. RECOMMENDED RETAINING BOLT TORQUE: 25-28 IN-LB [2.82-3.16 NM].

SIGNATURE & DATE	
DR	J. APOSTOL 17MAR2005
CHK	R. Messer 3/28/05
PE	D. Meyer 3/28/05
APPD.	R. Reed 3-31-05
SCALE	NONE
WT	

PLUG
40 CONTACTS, SIZE 20
-L011 MOD
DRC SERIES

ENVELOPE

CP	MATL. CODE
The Deutsch Company DEUTSCH I.P.D. 3850 INDUSTRIAL AVE. HEMET, CALIF. 92545	
B DRC26-40S*-L011	
DWG SIZE	SHEET OF