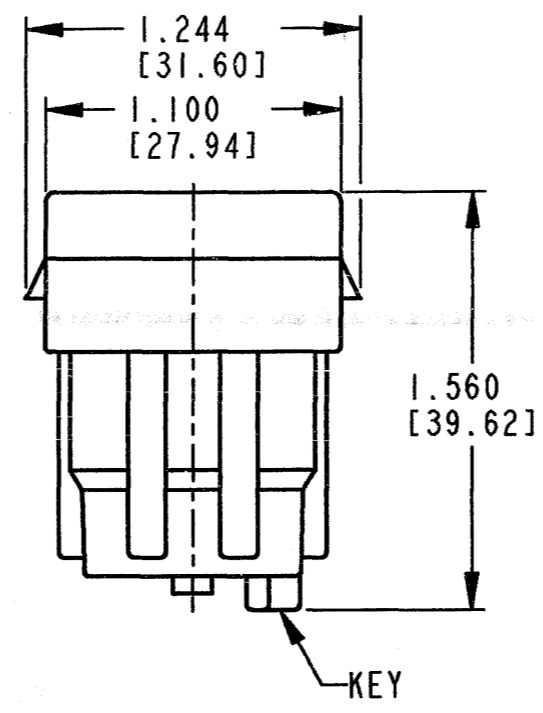
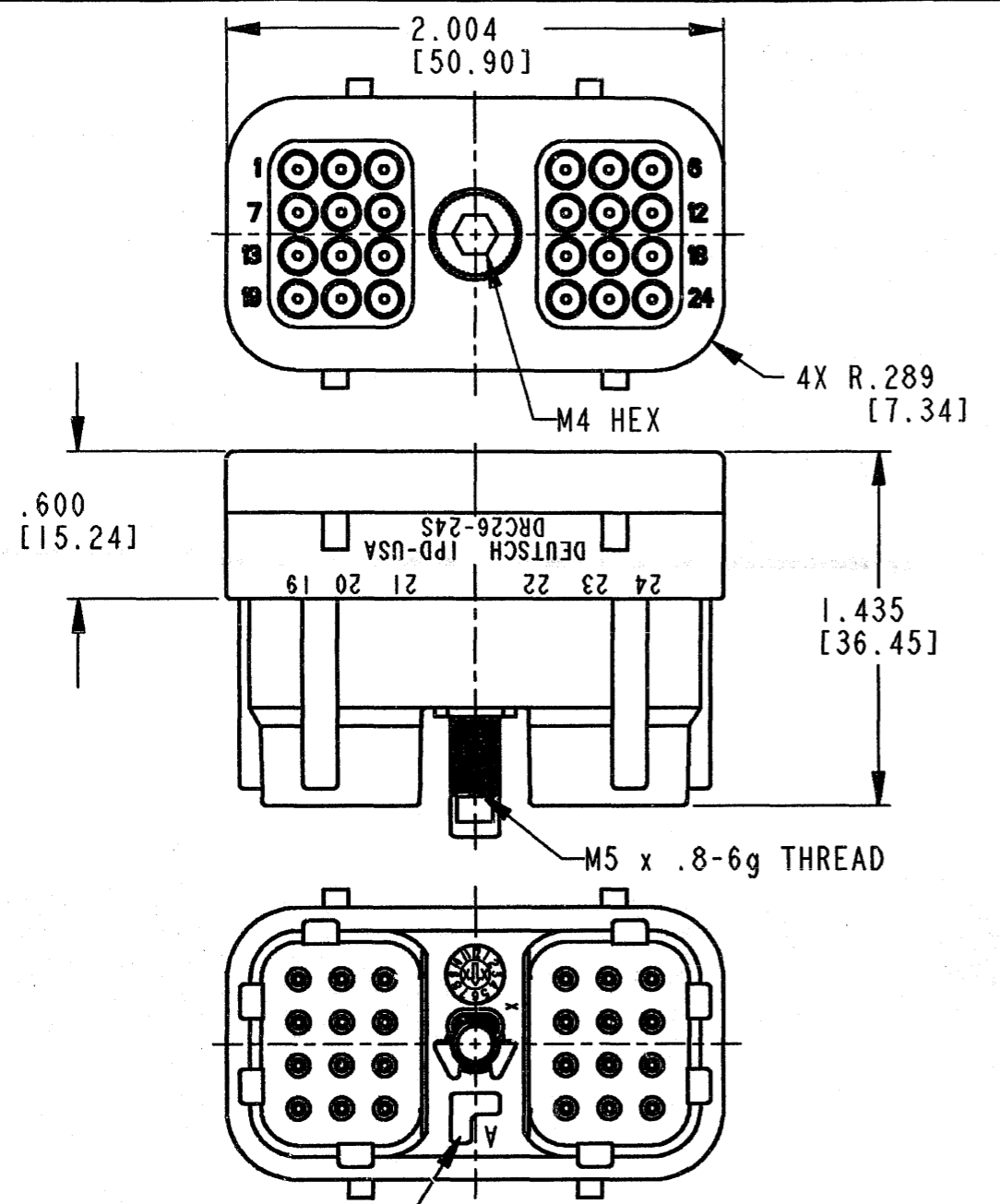


REV
C **DRC26-24S***

REVISIONS			
SYM	DESCRIPTION	DATE	APPROVED
NC	NEW RELEASE PER E.O. A14752	12-5-94	R.D.R.
A	REVISED & REDRAWN PER E.O. P17011	12-22-00	R.D.R.
B	REVISED PER E.O. P18099	4-7-03	R.D.R.
C	REVISED PER E.O. P18686	9-27-04	RDR



DRC26-24SA



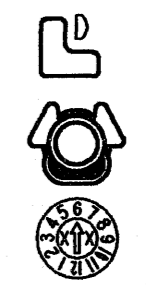
DRC26-24SB



DRC26-24SC



DRC26-24SD



SEE KEY ORIENTATION

4. THIS CONNECTOR WILL ACCOMMODATE THE FOLLOWING:

CONTACT SIZE	MIN. INSUL. O.D.	MAX. INSUL. O.D.	WIRE GAUGE RANGE REF ONLY	
20	.040 [1.016]	.095 [2.413]	16 THRU 20 [1.00-.50mm ²]	

- 3. PLUG IS SUPPLIED WITH DUST CAP (NOT SHOWN).
- 2. DIMENSION TOLERANCE: ±.025 [1.64].
- 1. DIMENSIONS ARE IN INCHES [mm].

NOTES: UNLESS OTHERWISE SPECIFIED

- 8. MATERIAL: HOUSING: PLASTIC (BLACK); BOLT: STAINLESS STEEL; CLIP: STEEL; GROMMET: RUBBER.
- 7. THIS PLUG MATES WITH DRC23-24P*-**** RECEPTACLE. (* = A,B,C,D KEYS; **** = ALL MODIFICATIONS)
- 6. FOR CONTACT AND WIRE PERFORMANCE AND APPLICATION CHARACTERISTICS SEE ENVELOPE DRAWING 0425-015-0000.
- 5. RECOMMENDED RETAINING BOLT TORQUE: 25-28 IN-LB [2.82-3.16 NM].

SIGNATURE & DATE		PLUG 24 CONTACTS, SIZE 20 DRC SERIES ENVELOPE	CP	MATL. CODE	
DR	D. MEYER 11/29/00		The Deutch Company DEUTSCH I.P.D. 3850 INDUSTRIAL AVE. HEMET, CALIF. 92545		
CHK	B. [Signature] 9/20/04		B	DRC26-24S*	
PE	D. Meyer 9/20/04			DWG SIZE	CODE 11139
APPD	R. Reed 9-27-04		SHEET OF		
SCALE	NONE WT				