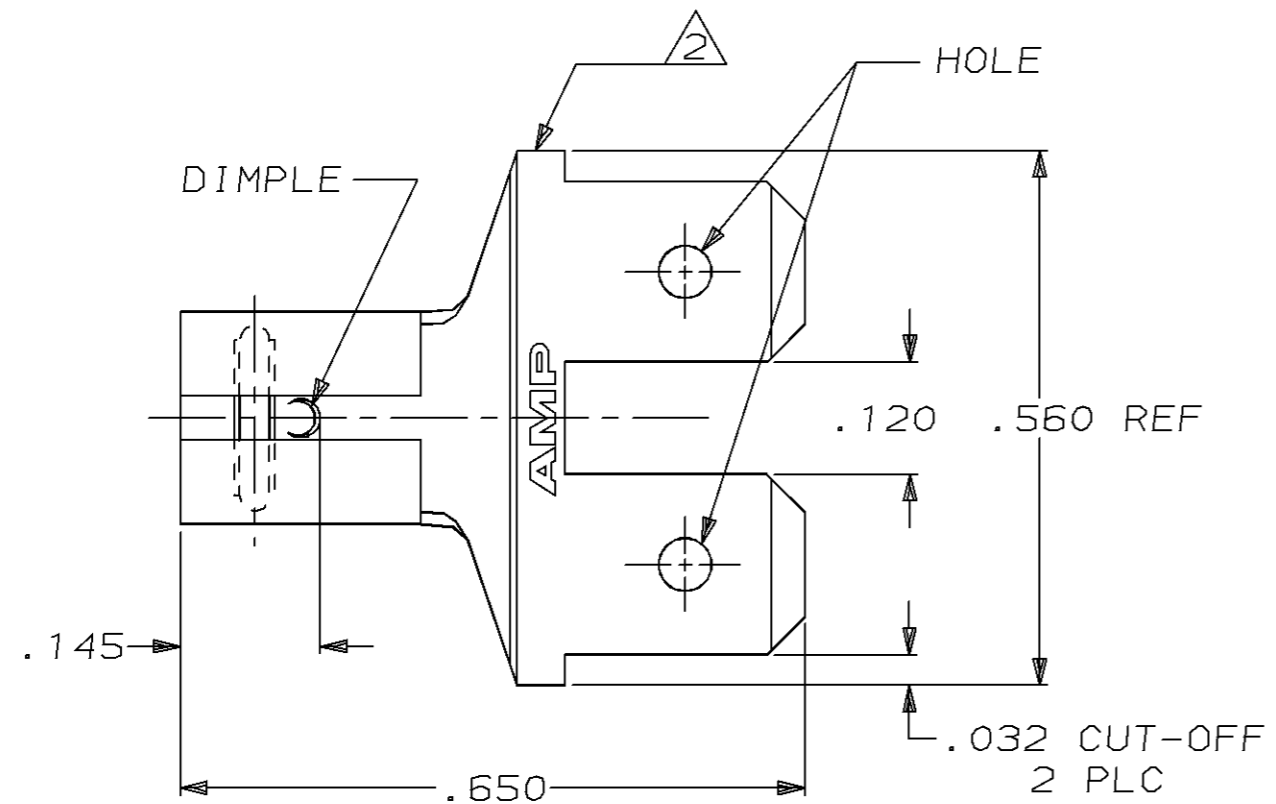
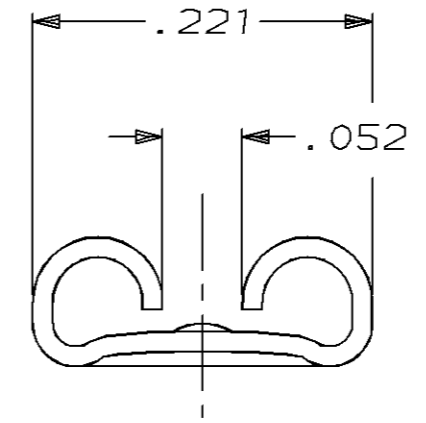


THIS DRAWING IS UNPUBLISHED. RELEASED FOR PUBLICATION, 19 .
 © COPYRIGHT 19 BY AMP INCORPORATED. ALL INTERNATIONAL RIGHTS RESERVED.

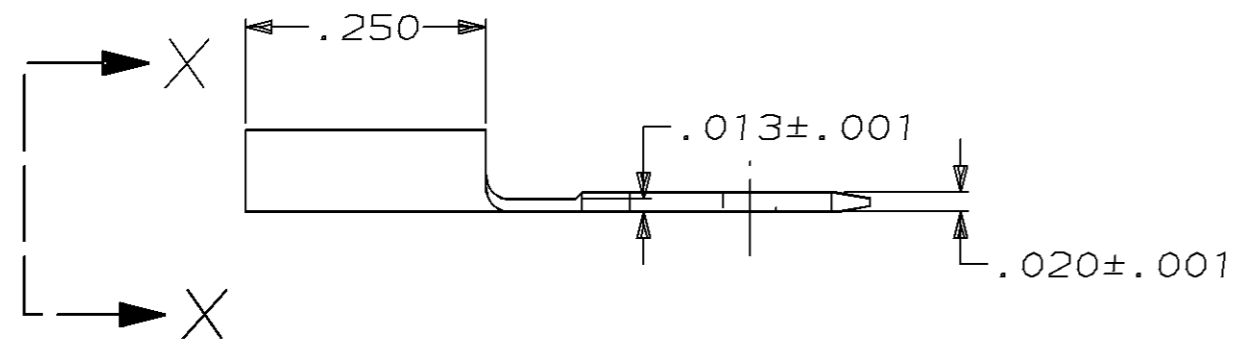
LOC	DIST	P	F	ZONE	LTR	DESCRIPTION	DATE	APPD
AF	50				F	REV PER 0L10-0060-96	11/27/96	JR



1 SUPPLIED IN LOOSE PIECE.
 2 BARE EDGES PERMITTED.



VIEW X-X
 SCALE 8:1



THIS DRAWING IS A CONTROLLED DOCUMENT FOR AMP INCORPORATED. IT IS SUBJECT TO CHANGE AND THE CONTROLLING ENGINEERING ORGANIZATION SHOULD BE CONTACTED FOR THE LATEST REVISION.

OBSOLETE	.020	TIN	61045-2
		-	61045-1
	MATING TAB THK	FINISH	PART NO
DO NOT SCALE PRINT. UNLESS SPECIFIED DIMENSIONS IN mm [INCHES] TOLERANCES ON: 2 PLC DEC ± - 3 PLC DEC ± .015 ANGLES ± -	DR 9/15/92 JR RUTH	AMP AMP Incorporated Harrisburg, PA 17105-3608	NAME ADAPTER, FASTON, .187 SERIES
	CHK 9/15/92 MS FEHER		
	APPD 9/15/92 C MEYERS		
MATERIAL H04 BRASS	APPD 9/15/92 R REINER	SIZE B	CAGE CODE 00779
FINISH SEE TABLE	PRODUCT SPEC -	DRAWING NO C-61045	SCALE 5:1
	APPLICATION SPEC -	SHEET 1 OF 1	
	WEIGHT -		