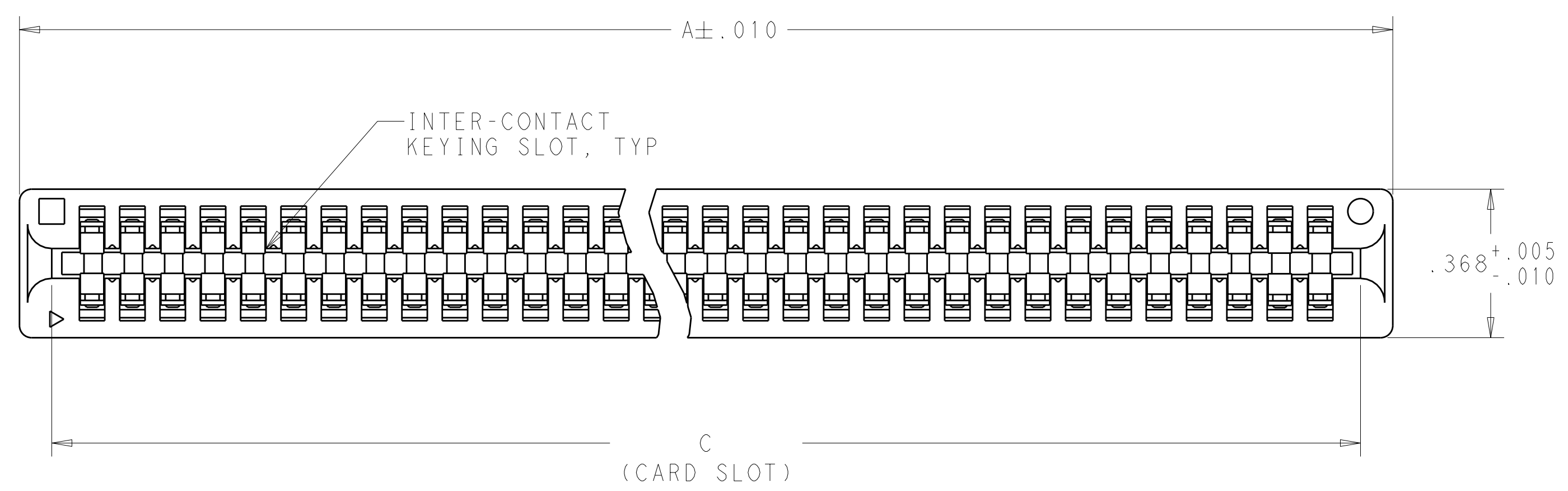
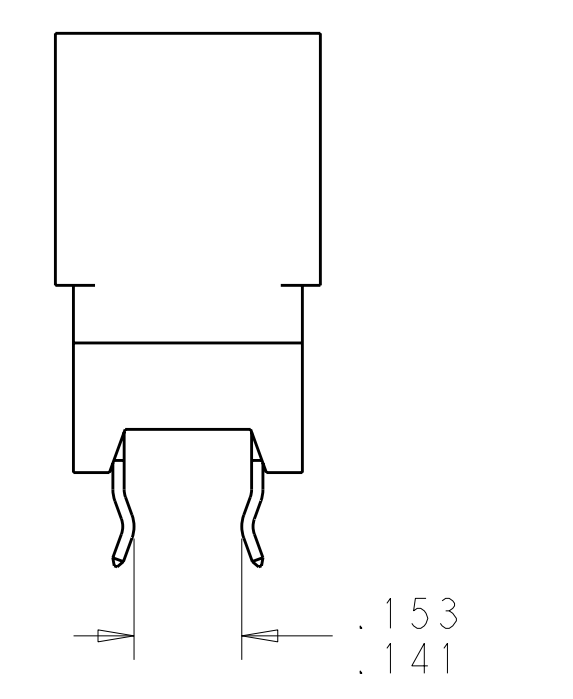
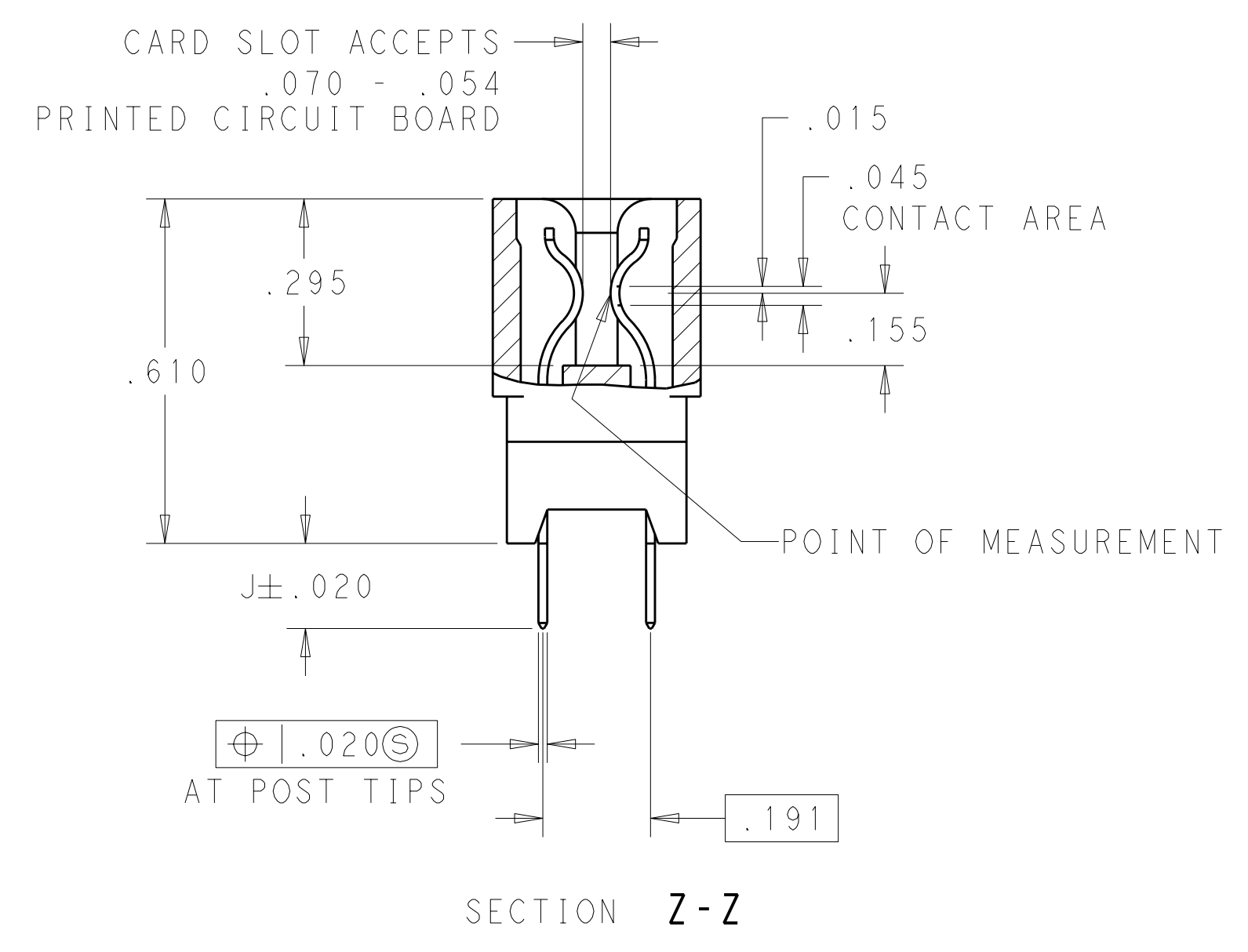
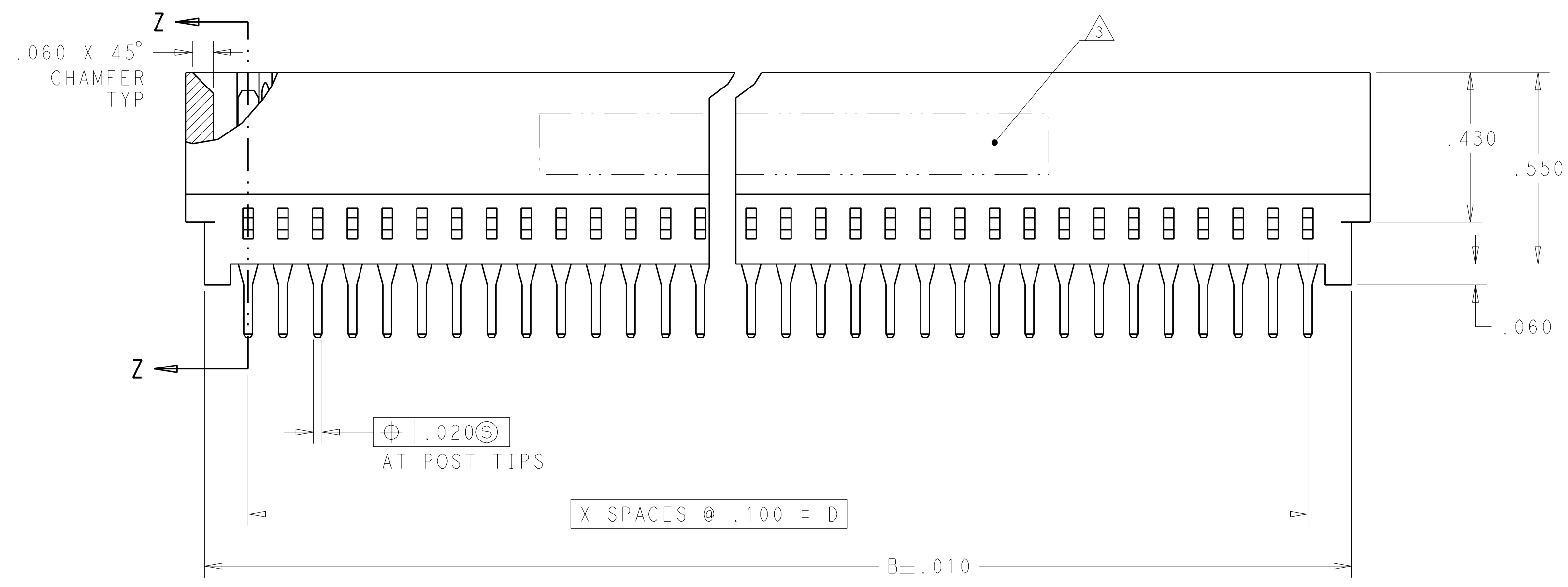


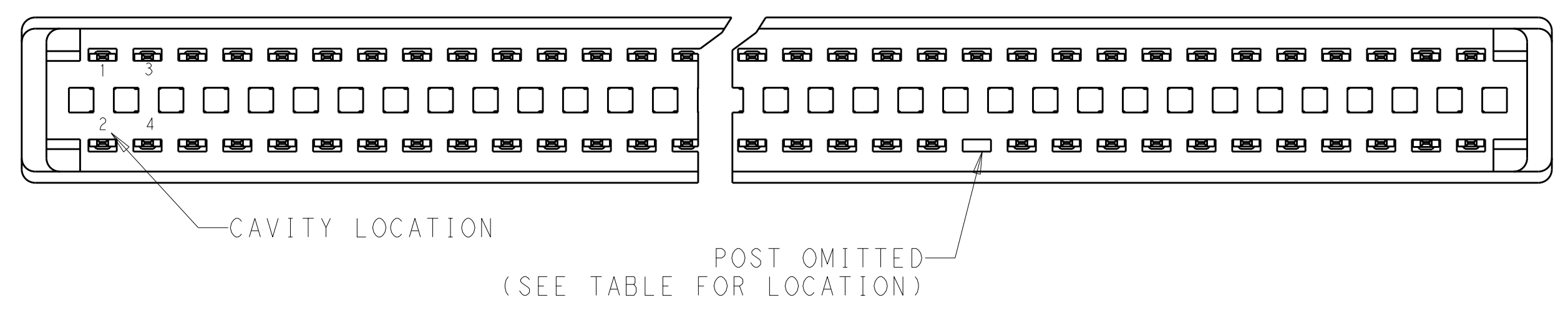
LOC	DIST	REV	DATE	DWN	APVD
GP	00	E5	06MAY2011	RG	MH
REVISIONS					
REV		DESCRIPTION	DATE	DWN	APVD
E5		REV PER ECO-009368	06MAY2011	RG	MH



- 1 MATERIAL:
 HOUSING - GLASS FILLED POLYESTER, COLOR BLACK
 CONTACT - PHOSPHOR BRONZE
- 2 FINISH:
 (SEE TABLE FOR GOLD PLATING) IN CONTACT AREA.
 .000100 MIN MATTE TIN ON SOLDER POSTS. ALL OVER
 .000050 MIN THK. NICKEL
- 3 AMP LOGO, TE PART NUMBER, DATE CODE AND CSA LOGO INK STAMPED WHITE (HOT STAMPED OR LAZER PRINTED) IN THE APPROXIMATE AREA SHOWN, EITHER SIDE PERMISSABLE WHEN HOUSING SIZE PERMITS
- 4 RECOMMENDED PCB FINISHED HOLE $\phi .040 \pm .003$
- 5 .000015 MIN
- 6 .000030 MIN
- 7 OBSOLETE PARTS: OBSOLETE CIS STREAMLINING PER D.RENAUD/D.SINISI



BOARD RETENTION FEATURE
 8-530843-3 ONLY



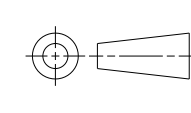
DIMENSIONS: INCHES 		TOLERANCES UNLESS OTHERWISE SPECIFIED: 9 PLC \pm 1 PLC $\pm .005$ 5 PLC \pm 4 PLC \pm ANGLES $\pm \#2$ FINISH		DWN 30OCT2009 CWF/GRZYBOWSKI E.HOWARD M.PERCHEK 30OCT2009 PRODUCT SPEC 108-9039 APPLICATION SPEC 114-13018 WEIGHT CUSTOMER DRAWING		Tyco Electronics Harrisburg, PA 17105-3608 NAME CONNECTOR ASSEMBLY STANDARD EDGE II, .100 CENTERLINE SIZE CAGE CODE DRAWING NO A100779C=5530843 RESTRICTED TO SCALE 4:1 SHEET 1 OF 3 REV E5	
---------------------------	--	---	--	--	--	--	--

LOC	DIST	REV	DATE	DWN	APVD
GP	00				

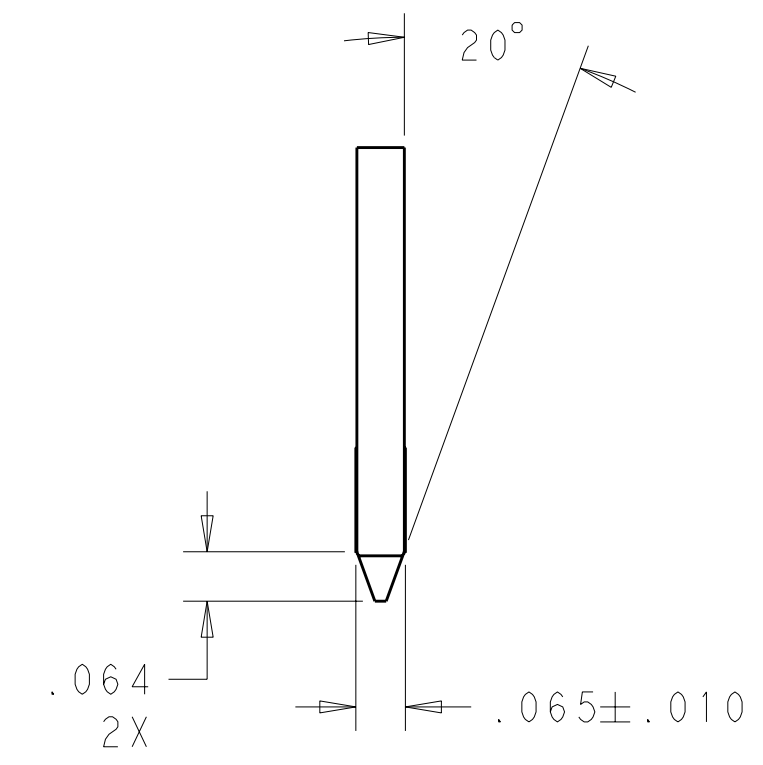
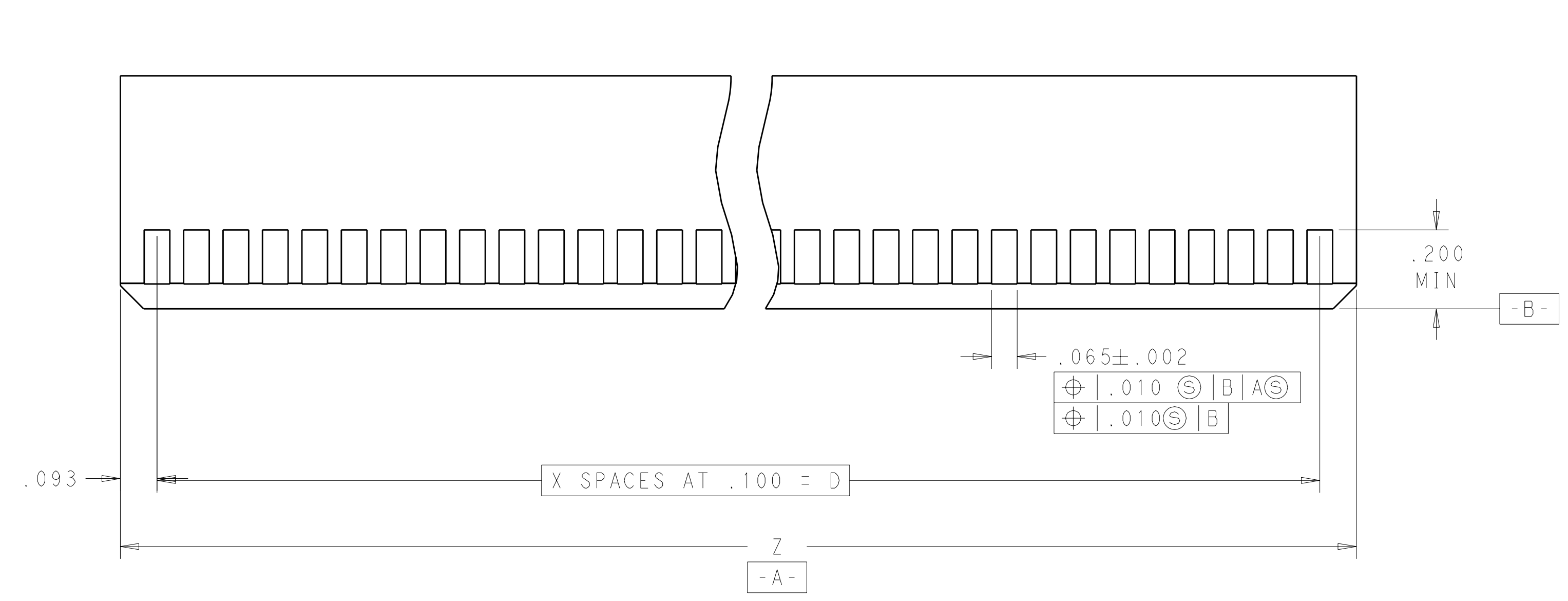
OBSOLETE	8-5530843-2
OBSOLETE	8-5530843-1
OBSOLETE	4-5530843-1
OBSOLETE	1-5530843-9
OBSOLETE	1-5530843-2
	PART NUMBER

△ OBSOLETE

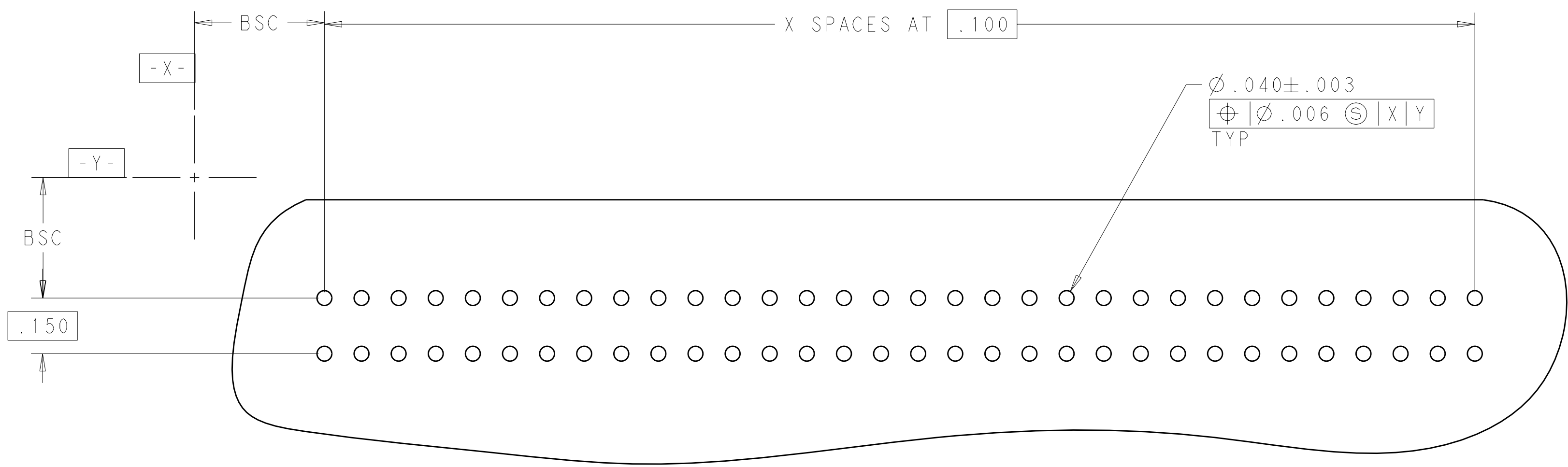
OMITTED PIN	BOARD RETENTION FEATURE LOCATION (SEE DETAIL Y)	FINISH	Z	J	D	C	B	A	X	NO. OF DUAL POSITIONS	PART NUMBER
		△6	1.286	.187	1.100	1.300	1.350	1.460	11	12	8-5530843-5
19, 20, 21, 22, 23, 24, 27, 28, 31, 32, 35, 36, 39, 40, 43, 44, 45, 46, 47, 48, 51, 52, 55, 56, 59, 60	-	△6	3.186	.125	3.000	3.200	3.250	3.360	30	31	8-5530843-4
	3, 4, 5, 6, 19, 20, 21, 22	△6	1.286	.125	1.100	1.300	1.350	1.460	11	12	8-5530843-3
	-	△6	.386	.125	.200	.400	.450	.560	2	3	7-5530843-7
	-	△6	.686	.187	.500	.700	.750	.860	5	6	7-5530843-6
	-	△6	.686	.125	.500	.700	.750	.860	5	6	7-5530843-5
	-	△5	3.186	.125	3.000	3.200	3.250	3.360	30	31	7-5530843-0
	-	△6	3.186	.125	3.000	3.200	3.250	3.360	30	31	6-5530843-5
	-	△6	6.086	.125	5.900	6.100	6.150	6.260	59	60	5-5530843-5
	-	△6	2.086	.125	1.900	2.100	2.150	2.260	19	20	5-5530843-4
	-	△6	1.786	.125	1.600	1.800	1.850	1.960	16	17	5-5530843-3
	-	△6	1.086	.125	.900	1.100	1.150	1.260	9	10	5-5530843-0
	-	△5	1.886	.125	1.700	1.900	1.950	2.060	17	18	2-5530843-7
	-	△6	3.586	.125	3.400	3.600	3.650	3.760	34	35	2-5530843-3
	-	△6	5.086	.187	4.900	5.100	5.150	5.260	49	50	2-5530843-2
	-	△6	4.086	.187	3.900	4.100	4.150	4.260	39	40	2-5530843-0
	-	△6	3.086	.187	2.900	3.100	3.150	3.260	29	30	1-5530843-8
	-	△6	2.586	.187	2.400	2.600	2.650	2.760	24	25	1-5530843-6
	-	△6	4.386	.125	4.200	4.400	4.450	4.560	42	43	1-5530843-0
	-	△6	3.686	.125	3.500	3.700	3.750	3.860	35	36	5530843-8
	-	△6	3.086	.125	2.900	3.100	3.150	3.260	29	30	5530843-7
	-	△6	2.886	.125	2.700	2.900	2.950	3.060	27	28	5530843-6
	-	△6	2.586	.125	2.400	2.600	2.650	2.760	24	25	5530843-5
	-	△6	2.286	.125	2.100	2.300	2.350	2.460	21	22	5530843-4
	-	△6	1.886	.125	1.700	1.900	1.950	2.060	17	18	5530843-3
	-	△6	1.586	.125	1.400	1.600	1.650	1.760	14	15	5530843-2
	-	△6	1.286	.125	1.100	1.300	1.350	1.460	11	12	5530843-1

DIMENSIONS: INCHES 		TOLERANCES UNLESS OTHERWISE SPECIFIED: 0 PLC ±.005 1 PLC ±.005 2 PLC ±.005 3 PLC ±.005 4 PLC ±.005 ANGLES ±.02 FINISH #2		DWN 30OCT2009 CWF/GRZYBOWSKI E. HOWARD M. PERCHER 30OCT2009		Tyco Electronics Harrisburg, PA 17105-3608	
MATERIAL: - FINISH: -		WEIGHT: - CUSTOMER DRAWING		PRODUCT SPEC: 108-9039 APPLICATION SPEC: 114-13018		NAME: CONNECTOR ASSEMBLY STANDARD EDGE II, .100 CENTERLINE SIZE: A100779 CAGE CODE: C=5530843 DRAWING NO: 114-13018	
SCALE: 4:1				SHEET 2 OF 3		REV E5	

LOC		DIST		REVISIONS			
GP	00	P	LTR	DESCRIPTION	DATE	DWN	APVD
				SEE SHEET 1			



RECOMMENDED MAIN BOARD EDGE CONFIGURATION



RECOMMENDED PC BOARD HOLE LAYOUT

DIMENSIONS:		TOLERANCES UNLESS OTHERWISE SPECIFIED:		DWN		30OCT2009	
INCHES	9 PLC	\pm		AWF/GRZYBOWSKI	NAME	Tyco Electronics Harrisburg, PA 17105-3608	
	1 PLC	$\pm .005$		E.HOWARD	PRODUCT SPEC	CONNECTOR ASSEMBLY STANDARD EDGE II, .100 CENTERLINE	
	2 PLC	\pm		M.PERCHEM	APPLICATION SPEC	114-13018	
	3 PLC	\pm			WEIGHT	A1100779C=5530843	
	4 PLC	\pm			FINISH	CUSTOMER DRAWING	
	ANGLES	\pm			SCALE	4:1	
					SHEET	3 OF 3	
					REV	E 5	