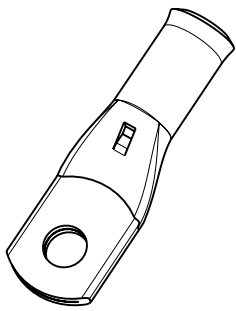
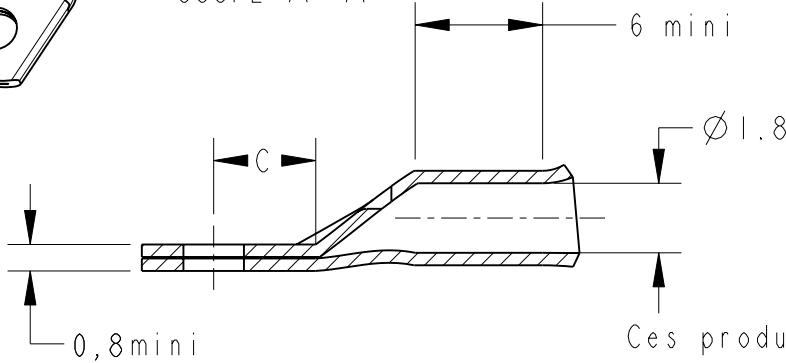


LOC	DIST	REVISIONS					
FH	00	P	LTR REV	DESCRIPTION MODIFICATIONS	DATE	DWN DESS.	APVD APP.
			E	MISE A JOURS / AJOUT NOTA	07DEC2009	BG	GP



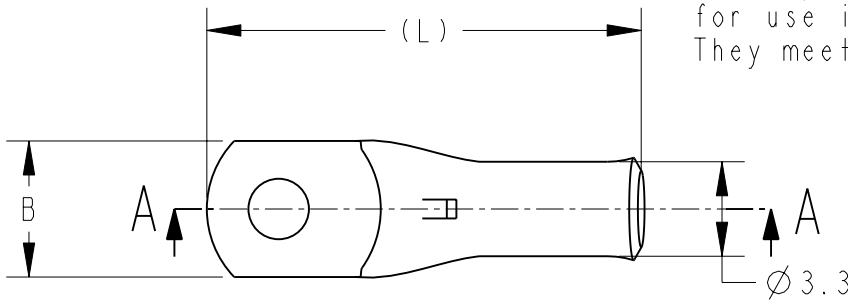
COUPE A-A



Inspection hole



Ces produits ne sont pas prévus pour une utilisation automobile. Ils répondent à la norme NFC 20-130
 These products are not intended for use in the car industry. They meet the standard NFC 20-130



(L)	C	B	ØA	DESCRIPTION	PART NUMBER
17	4,5	6	3,2	XCT 1,5-3	710971-1
17	5	6,5	4,3	XCT 1,5-4	710972-1
18	5,5	7,5	5,3	XCT 1,5-5	710973-1
19	6	9	6,4	XCT 1,5-6	711674-1

- 1 - MATERIAL = TINNED COPPER
- 2 - Marking in depth:
logo-section-hole-Made in France +
- 3 - CABLE SECTION = 15-16 AWG or 1,5 mm²
- 4 - CRIMPING TOOLS HNI

20

RELEASED FOR PUBLICATION
 LIBRE A LA DIFFUSION

THIS DRAWING IS UNPUBLISHED.
 DIFFUSION RESTREINTE

BY TYCO ELECTRONICS CORPORATION ALL INTERNATIONAL RIGHTS RESERVED.
 © COPYRIGHT 20 BY TYCO ELECTRONICS CORPORATION. TOUS DROITS RESERVES.

TOLERANCES UNLESS OTHERWISE SPECIFIED: -
 TOLERANCES NON SPECIFIEES: -

DIMENSIONS: mm	DWN/DESSINE D. LEGUY	15DEC00	MATERIAL MATIERE	CUIVRE	FINISH FINITION	ETAME	
 TOLERANCES UNLESS OTHERWISE SPECIFIED: TOLERANCES NON SPECIFIEES (SUIV NB DE DECIMALES): 0 PLC/DEC: ±0 1 PLC/DEC: ±0 2 PLC/DEC: ±0 3 PLC/DEC: ±0 4 PLC/DEC: ±0 ANGLES ±- 	CHK/VERIFIE L. MAINIER	-	SIMEL PRODUCT				
	APVD/APPROUVE G. PORCHERAY	-					
	PRODUCT SPEC SPEC. PRODUIT	-	NAME TITRE	XCT 1,5 - ..			
	APPLICATION SPEC SPEC. APPLICATION	-	SIZE FORMAT	CAGE CODE	DRAWING NO No PLAN	RESTRICTED TO RESERVE A	
WEIGHT MASSE APPROX.	- g	A4	00779	©=710971	-		
CUSTOMER DRAWING		/PLAN CLIENT	UNIQUEMENT POUR REFERENCE	SCALE ECHELLE - / -	SHEET FEUILLE	OF DE	REV E