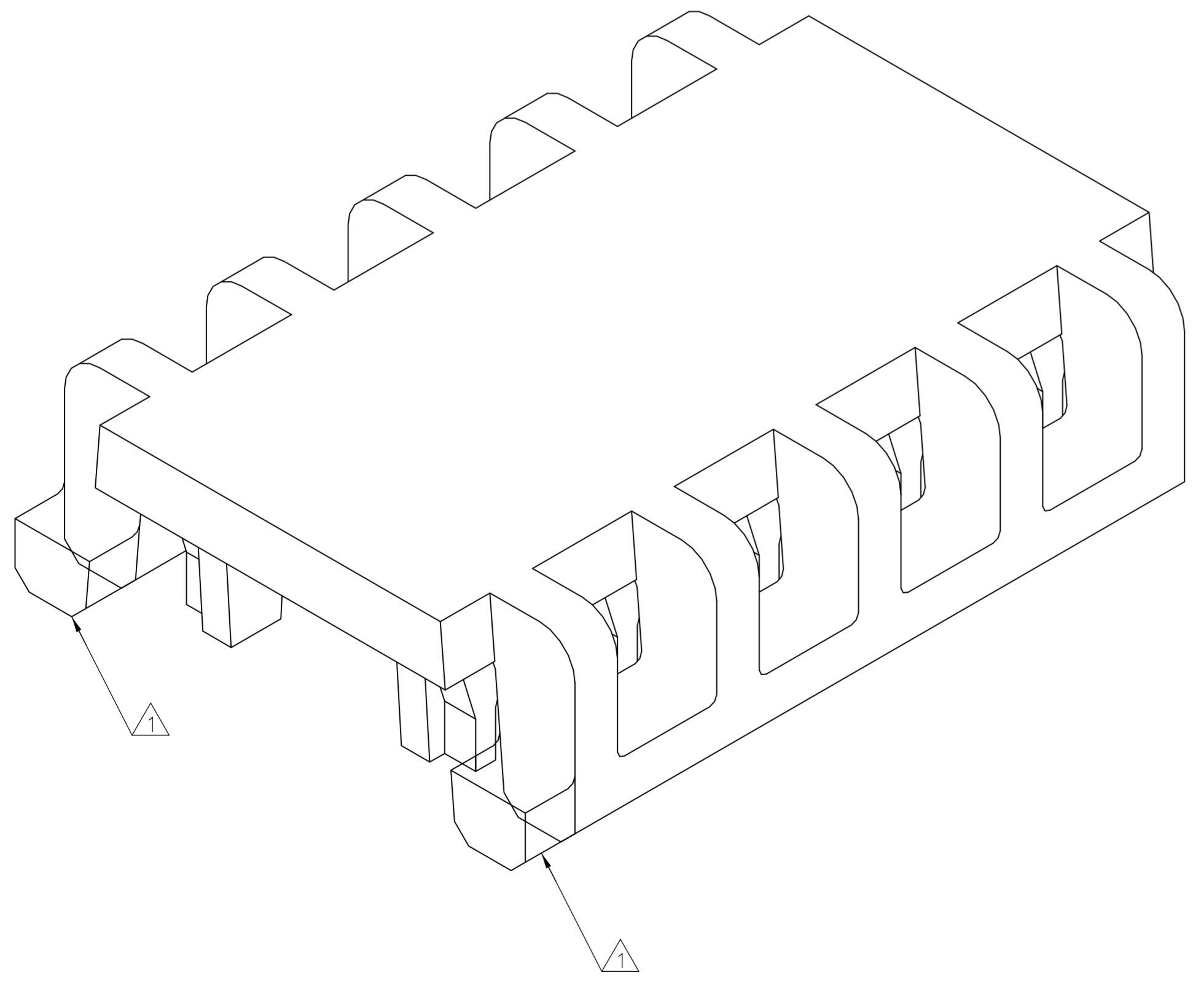


⚠ PART MAY BE MOLDED TO DESIRED POSITION SIZE OR CUT TO DESIRED POSITION SIZE FROM A LARGER POSITION SIZE PART. WHEN PART IS CUT TO DESIRED POSITION SIZE, A PORTION OF FRONT LOCKING BAR WILL REMAIN ATTACHED.
 2. DIMENSIONS IN BRACKETS ARE IN INCHES.



3-DIMENSIONAL MODEL NTS

| | | | | |
|-------------------------------------|-------------------|-------|---------|------------|
| 28 | CIRCUIT ASSEMBLES | 71.12 | [2.800] | 2-643077-8 |
| 27 | CIRCUIT ASSEMBLES | 68.58 | [2.700] | 2-643077-7 |
| 26 | CIRCUIT ASSEMBLES | 66.04 | [2.600] | 2-643077-6 |
| 25 | CIRCUIT ASSEMBLES | 63.50 | [2.500] | 2-643077-5 |
| 24 | CIRCUIT ASSEMBLES | 60.96 | [2.400] | 2-643077-4 |
| 23 | CIRCUIT ASSEMBLES | 58.42 | [2.300] | 2-643077-3 |
| 22 | CIRCUIT ASSEMBLES | 55.88 | [2.200] | 2-643077-2 |
| 21 | CIRCUIT ASSEMBLES | 53.34 | [2.100] | 2-643077-1 |
| 20 | CIRCUIT ASSEMBLES | 50.80 | [2.000] | 2-643077-0 |
| 19 | CIRCUIT ASSEMBLES | 48.26 | [1.900] | 1-643077-9 |
| 18 | CIRCUIT ASSEMBLES | 45.72 | [1.800] | 1-643077-8 |
| 17 | CIRCUIT ASSEMBLES | 43.18 | [1.700] | 1-643077-7 |
| 16 | CIRCUIT ASSEMBLES | 40.64 | [1.600] | 1-643077-6 |
| 15 | CIRCUIT ASSEMBLES | 38.10 | [1.500] | 1-643077-5 |
| 14 | CIRCUIT ASSEMBLES | 35.56 | [1.400] | 1-643077-4 |
| 13 | CIRCUIT ASSEMBLES | 33.02 | [1.300] | 1-643077-3 |
| 12 | CIRCUIT ASSEMBLES | 30.48 | [1.200] | 1-643077-2 |
| 11 | CIRCUIT ASSEMBLES | 27.94 | [1.100] | 1-643077-1 |
| 10 | CIRCUIT ASSEMBLES | 25.40 | [1.000] | 1-643077-0 |
| 9 | CIRCUIT ASSEMBLES | 22.86 | [.900] | 643077-9 |
| 8 | CIRCUIT ASSEMBLES | 20.32 | [.800] | 643077-8 |
| 7 | CIRCUIT ASSEMBLES | 17.78 | [.700] | 643077-7 |
| 6 | CIRCUIT ASSEMBLES | 15.24 | [.600] | 643077-6 |
| 5 | CIRCUIT ASSEMBLES | 12.70 | [.500] | 643077-5 |
| 4 | CIRCUIT ASSEMBLES | 10.16 | [.400] | 643077-4 |
| 3 | CIRCUIT ASSEMBLES | 7.62 | [.300] | 643077-3 |
| 2 | CIRCUIT ASSEMBLES | 5.08 | [.200] | 643077-2 |
| USE ON MTA 100 ASSEMBLIES AS LISTED | | A | | PART NO |

| | | | |
|--|---------------------|---------------------------|--|
| THIS DRAWING IS A CONTROLLED DOCUMENT. | | DWN T. BECK 7-8-91 | TE Connectivity |
| DIMENSIONS: INCHES | | CHK R. SWING 7-8-91 | |
| TOLERANCES UNLESS OTHERWISE SPECIFIED: | | APVD T. WERT 7-8-91 | NAME COVER, FEED-THRU, MOLDED, .060 MAX, O.D. WIRE, MTA-100 |
| 0 PLC ± - | 1 PLC ± - | PRODUCT SPEC | APPLICATION SPEC |
| 2 PLC ± - | 3 PLC ± 0.13 [.005] | SIZE | CAGE CODE |
| 4 PLC ± - | ANGLES ± - | WEIGHT | DRAWING NO |
| MATERIAL NYLON,UL 94V-2 WHITE | FINISH | A1 00779 | 643077 |
| CUSTOMER DRAWING | | SCALE 10:1 | SHEET 1 OF 1 |