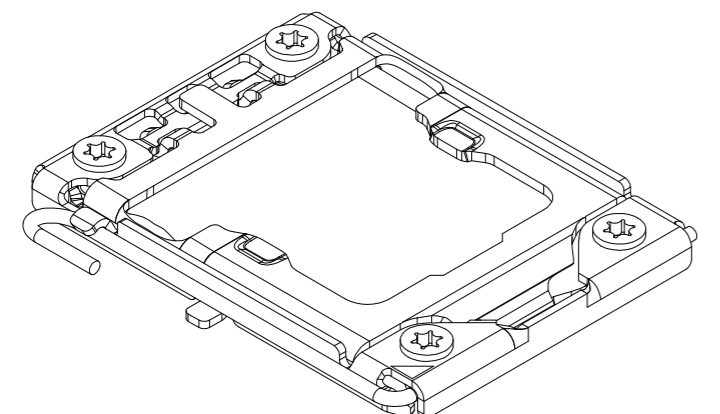
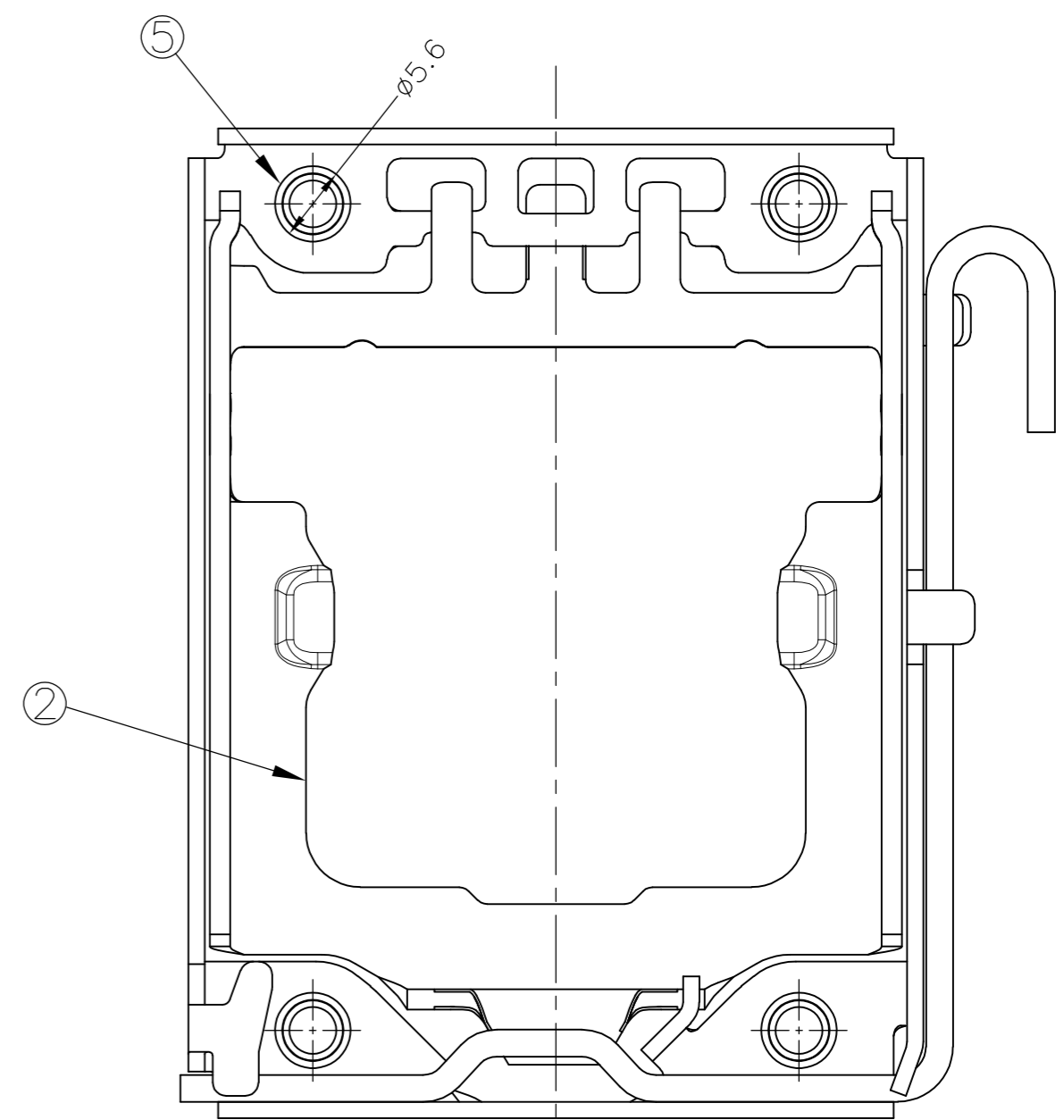
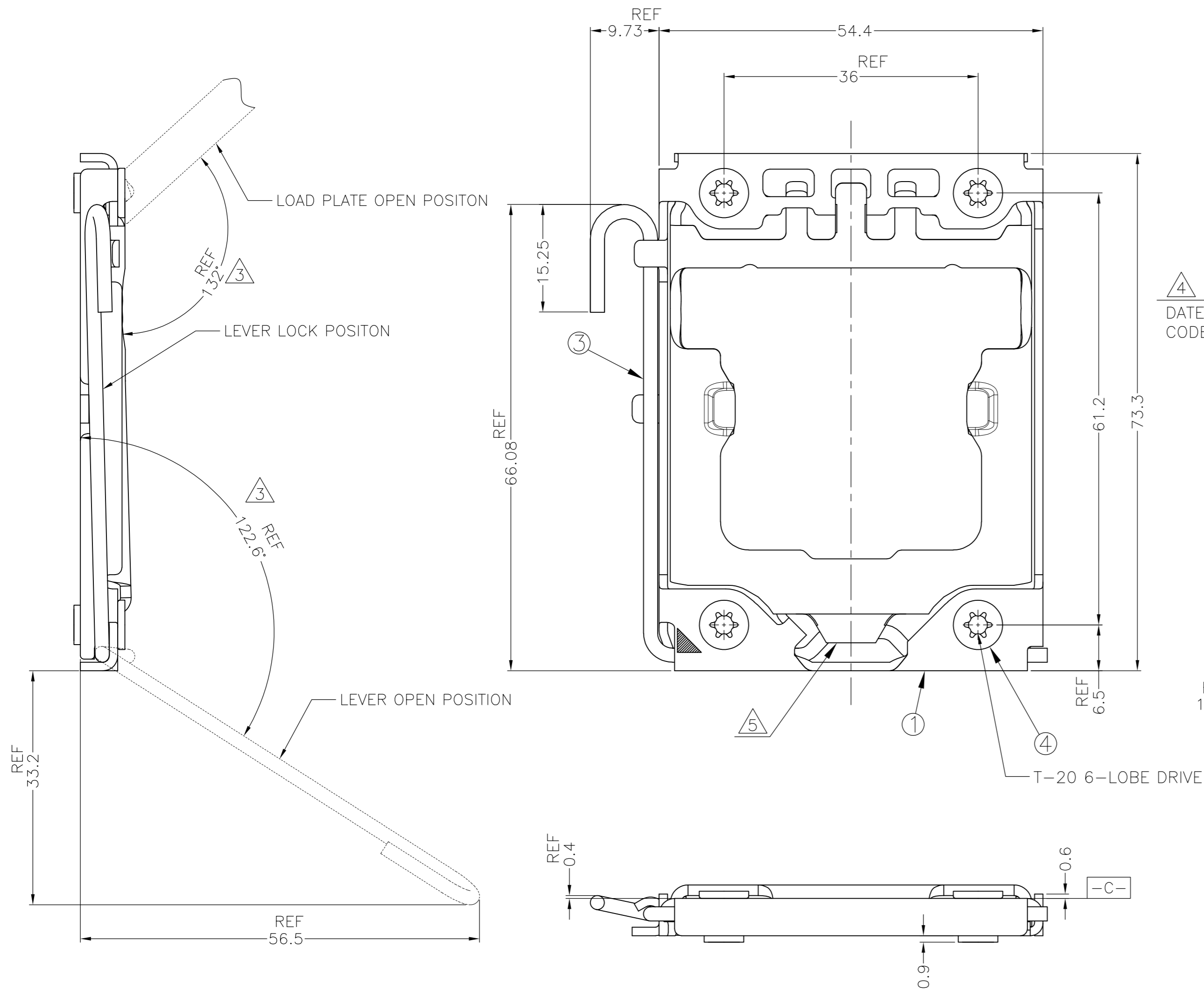


THIS DRAWING IS UNPUBLISHED. RELEASED FOR PUBLICATION MAY 2011.
 © COPYRIGHT 2011 By Tyco Electronics Japan G.K. ALL RIGHTS RESERVED.

LOC		DIST		REVISIONS			
P	LTR	DESCRIPTION	DATE	DWN	APVD		
J	-	R	REVISED	24MAY'11	Y.T	T.N	



3D VIEW (REFERENCE)

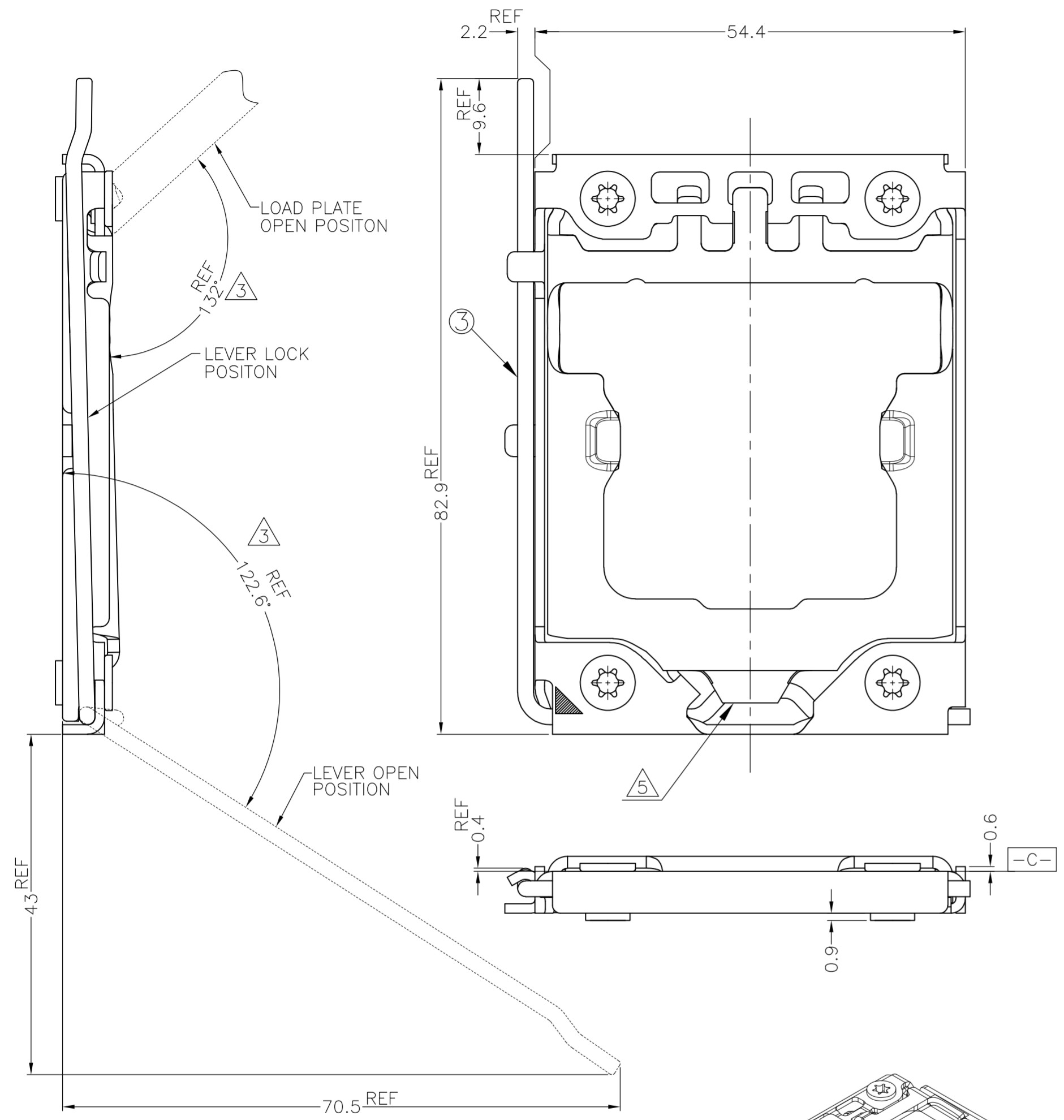
1939738-1 : AS SHOWN

WEIGHT(g)	DESCRIPTION	PART NUMBER
47.1	U LEVER TYPE WITH COVER	2-1939738-1
44.2	SHORT STRAIGHT LEVER TYPE	1-1939738-1
44.0	STRAIGHT LEVER TYPE	1-1939738-2
44.2	U LEVER TYPE	1939738-1

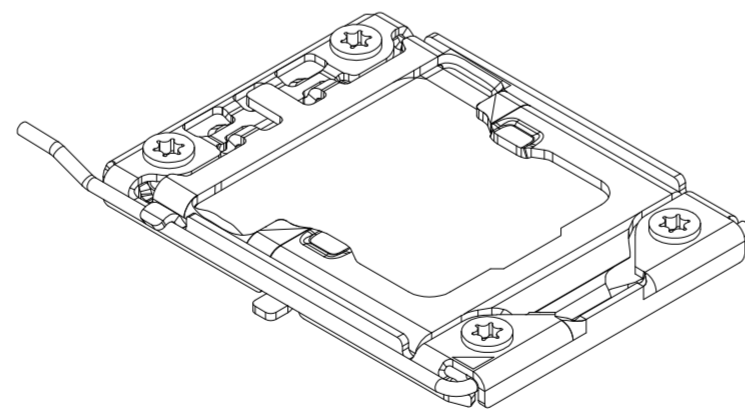
THIS DRAWING IS A CONTROLLED DOCUMENT.		DWN H.TAGUCHI 17DEC2007	TE TE Connectivity	
DIMENSIONS: mm		CHK S.HASHIMOTO 17DEC2007		
TOLERANCES UNLESS OTHERWISE SPECIFIED:		APVD S.HASHIMOTO 17DEC2007	NAME	
0 PLC ±	±0.3	PRODUCT SPEC	ILM COVER ASSY LGA13XX	
1 PLC ±	±3	APPLICATION SPEC	SIZE	CAGE CODE
2 PLC ±		108-78496	A2	00779
3 PLC ±		114-5432	DRAWING NO	RESTRICTED TO
4 PLC ±		SEE TABLE	C=1939738	-
ANGLES ±		CUSTOMER DRAWING	SCALE 2:1	SHEET 1 of 3
FINISH			REV R	

THIS DRAWING IS UNPUBLISHED. RELEASED FOR PUBLICATION MAY 2011.
 © COPYRIGHT 2011 By Tyco Electronics Japan G.K. ALL RIGHTS RESERVED.

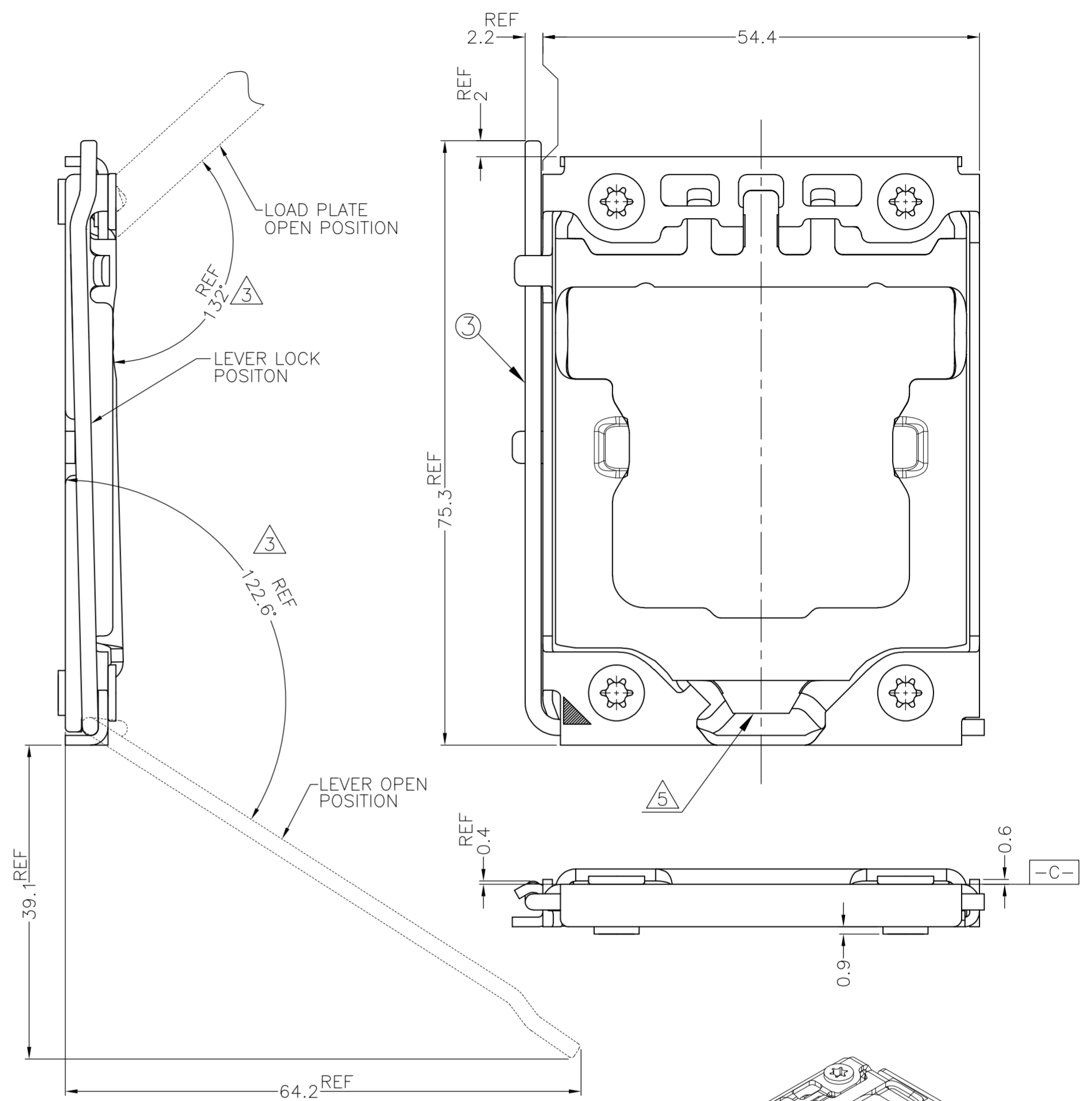
LOC		DIST		REVISIONS			
P	LTR	DESCRIPTION	DATE	DWN	APVD		
-	-	SEE SHEET 1	-	-	-		



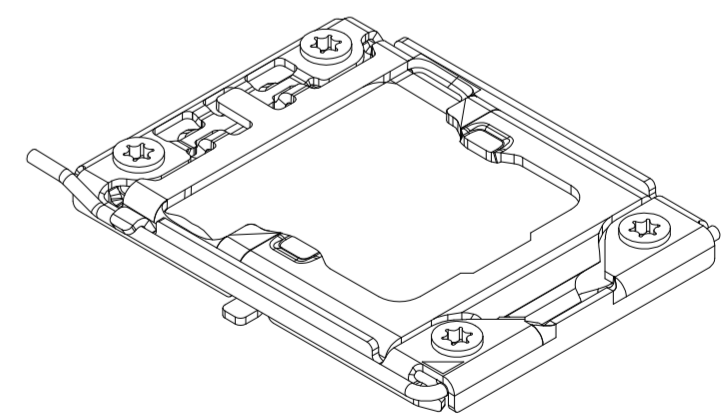
1-1939738-2 : AS SHOWN



3D VIEW (REFERENCE)



1-1939738-1 : AS SHOWN

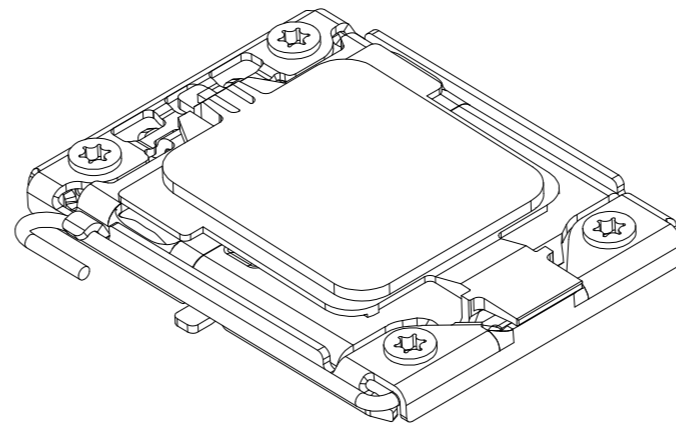
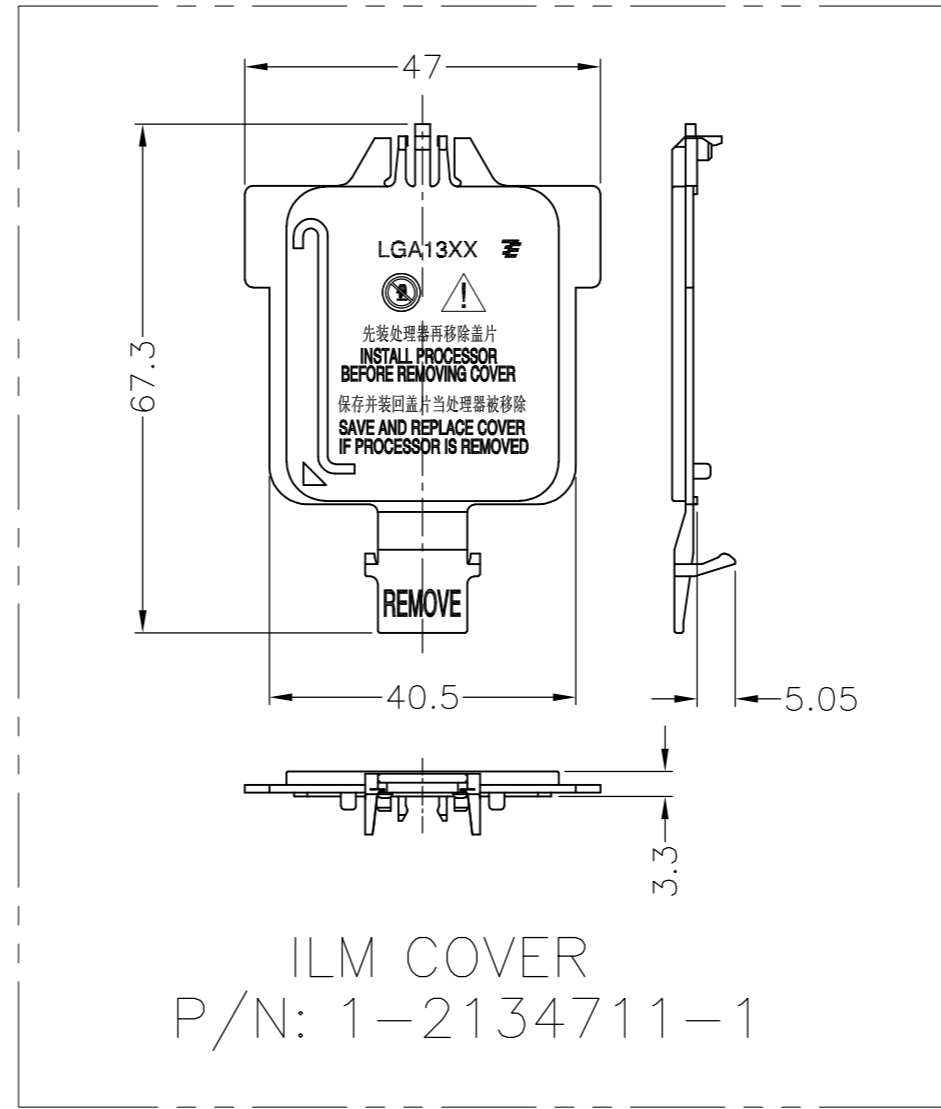
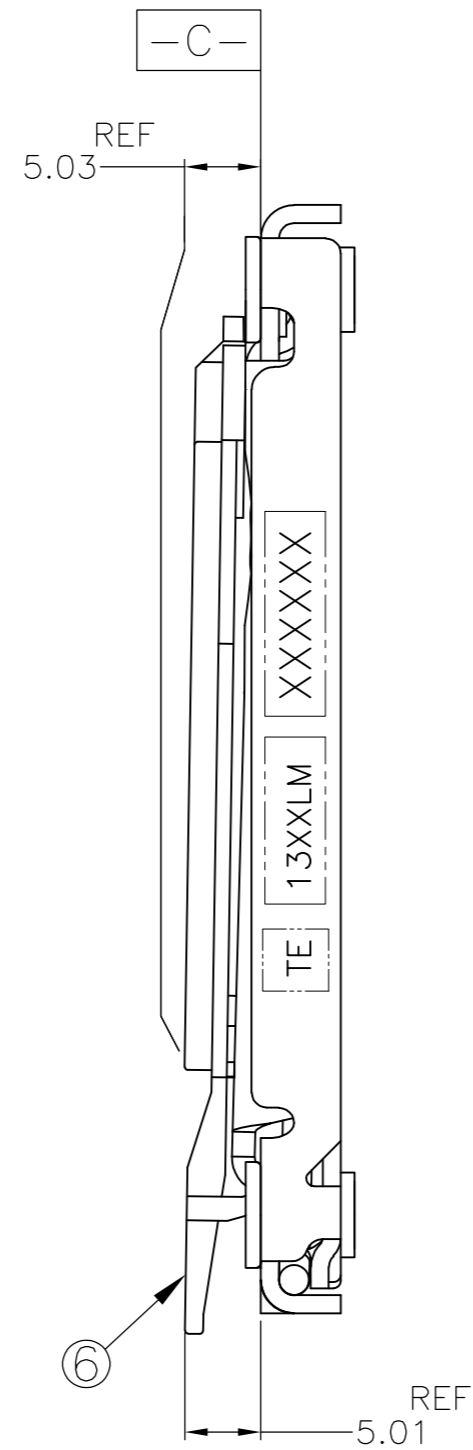
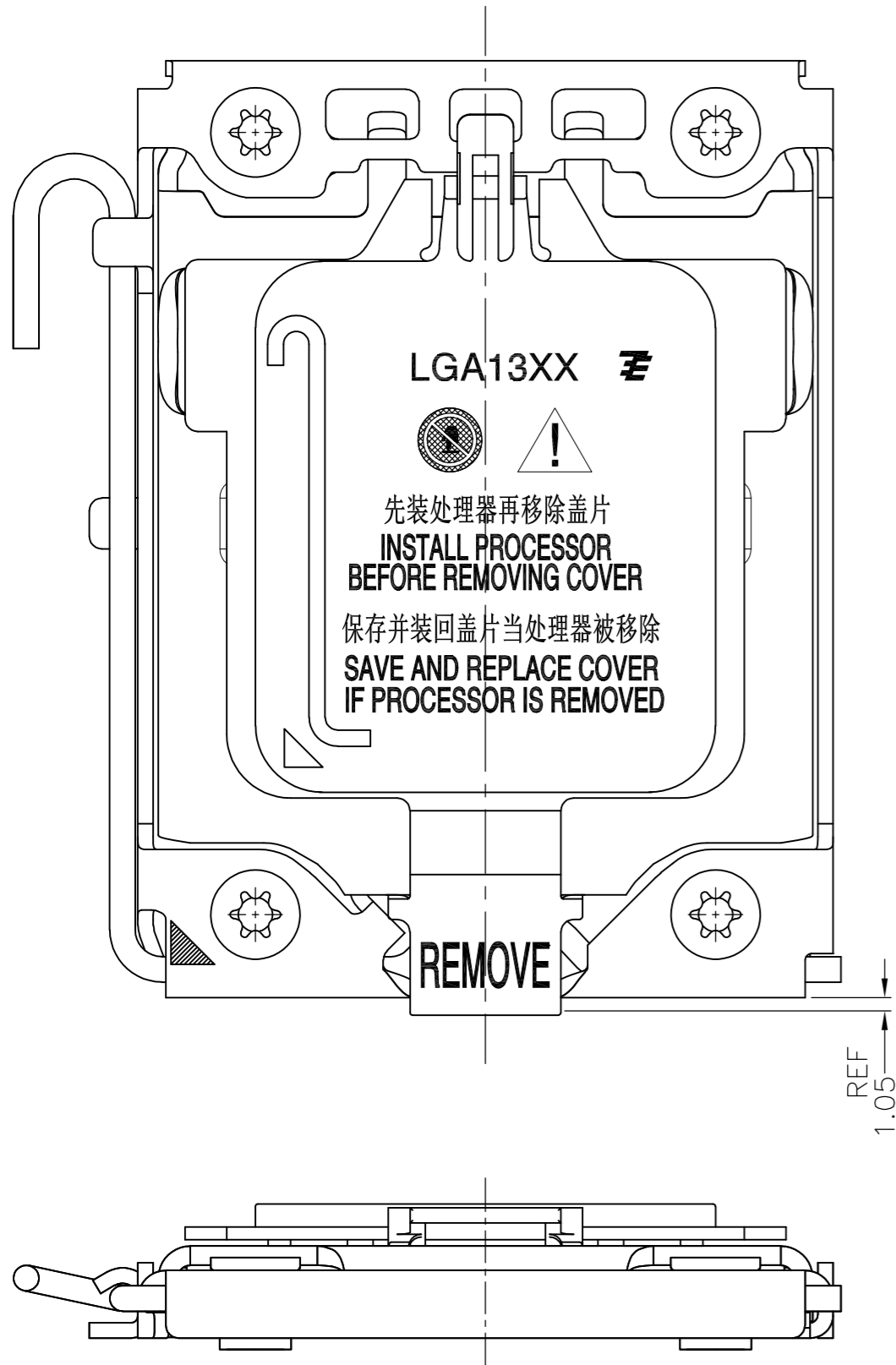


3D VIEW (REFERENCE)

THIS DRAWING IS A CONTROLLED DOCUMENT.		DWN	TE Connectivity	
DIMENSIONS: mm		CHK	NAME	
TOLERANCES UNLESS OTHERWISE SPECIFIED:		APVD	ILM COVER ASSY LGA13XX	
0 PLC ±		PRODUCT SPEC	SIZE	CAGE CODE
1 PLC ±		APPLICATION SPEC	A2	00779
2 PLC ±		WEIGHT	DRAWING NO	RESTRICTED TO
3 PLC ±		CUSTOMER DRAWING	C=1939738	-
4 PLC ±		SCALE	NTS	SHEET 2 of 3
ANGLES ±		REV	R	
FINISH				

THIS DRAWING IS UNPUBLISHED. RELEASED FOR PUBLICATION MAY 2011.
 © COPYRIGHT 2011 By Tyco Electronics Japan G.K. ALL RIGHTS RESERVED.

LOC		DIST		REVISIONS			
P	LTR	DESCRIPTION	DATE	DWN	APVD		
-	-	SEE SHEET 1	-	-	-		



3D VIEW (REFERENCE)

- MATERIAL
 - FRAME: STEEL
FINISH: NICKEL PLATING
 - LOAD PLATE: STAINLESS STEEL
 - LEVER: SUS304, 2 DIA
 - NUT: STEEL
FINISH: NICKEL PLATING
 - COLLAR: STEEL
FINISH: NICKEL PLATING
 - COVER: THERMO-PLASTIC, UL94 V-0, BLACK
 - APPLICABLE SOCKET ASSY LGA1366 OR SOCKET ASSY LGA1356 (DRAWING NUMBER: 1981837 OR 1554116)
- ⚠ DO NOT OPEN WITH FORCE FROM OPEN END
 ⚠ INDICATED DATE CODE ON THE FRAME
 ⚠ LOAD PLATE IS NOT LOCKED BY LEVER

2-1939738-1 : AS SHOWN
 UNLESS SPECIFIED
 DIMENSIONS ARE SAME WITH -1

THIS DRAWING IS A CONTROLLED DOCUMENT.		DWN		
DIMENSIONS: mm		CHK		
TOLERANCES UNLESS OTHERWISE SPECIFIED		APVD	NAME	
0 PLC ± 1 PLC ± - 2 PLC ± - 3 PLC ± - 4 PLC ± - ANGLES ± -		PRODUCT SPEC	ILM COVER ASSY LGA13XX	
MATERIAL		APPLICATION SPEC	SIZE	CAGE CODE
FINISH		WEIGHT	A2	00779
		CUSTOMER DRAWING	DRAWING NO	RESTRICTED TO
		SCALE	C=1939738	-
		SHEET	3 OF 3	REV
		NTS		R