

MINI-CLIPS

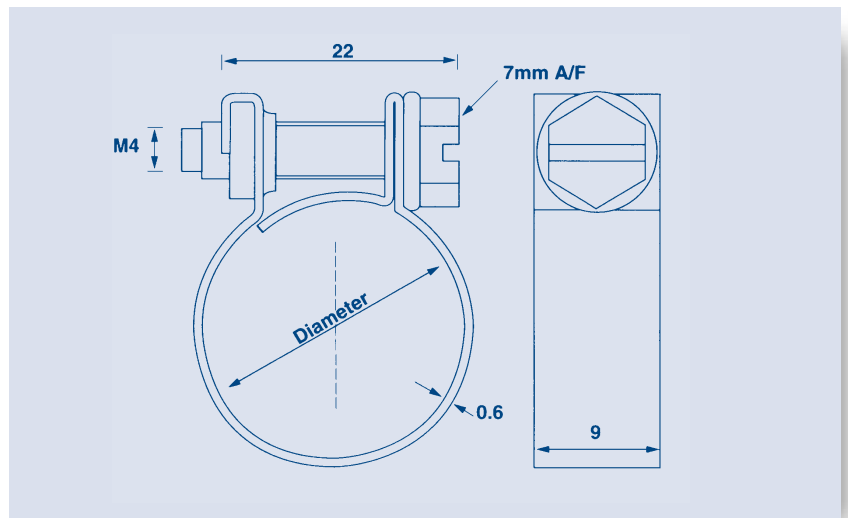
FOR FUEL PIPES AND SMALL HOSES

JCS MINI-CLIPS are formed from a one piece band and therefore have no welded parts which can damage the hose. The band is folded over the nut which ensures it remains firmly in place when the screw is removed. The screw head is formed to a 7mm Hexagon head so that the JCS flexible shaft screwdriver can be used making fitting quicker and easier especially in awkward places. The screw head is also slotted for ordinary screwdriver use.

JCS MINI-CLIPS are an economical solution for many low pressure applications where a larger adjustment range is not required. They are especially suitable for petrol and LPG gas hoses and are available in 10 sizes ranging from 9mm O/D to 18mm O/D.



TECHNICAL SPECIFICATION



STANDARD RANGE	
size	dia mm
9	7 - 9
10	8 - 10
11	9 - 11
12	10 - 12
13	11 - 13
14	12 - 14
15	13 - 15
16	14 - 16
17	15 - 17
18	16 - 18

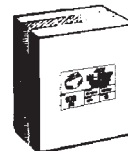
Material Specification:

Band - Mild Steel, Aluzinc Coated
Screw and Nut - Mild Steel, Zinc Plated and Passivated

PACKAGING

Bag Packs - all sizes 50 clips per pack

Bulk Pack - all sizes 1000 clips per box



MINI-CLIPS