



Similar to image

Technical data:

Design type		5TT4 2 switch relay
Type, explanations		switch relay for alternating voltage
Type, explanations / additionally		1 NO
Mounting depth	mm	90
Number of NC contacts		0
Type of mounting		DIN rail
Number of change-over switches		0
Number of NO contacts		1
Number of pitch units for width		1
Type of voltage		AC
<ul style="list-style-type: none"> [nicht versorgt - der Steuerspannung_1] 		
Switching capacity apparent power	V·A	696
<ul style="list-style-type: none"> [nicht versorgt - bei Leuchtstofflampenlast unkompenziert] 		
Switching capacity real power / for filament lamp load	W	1,200
Breaking capacity current / [nicht versorgt - bei cos phi 0,6]	A	16
Operating current / rated value	A	16
Control voltage frequency		
<ul style="list-style-type: none"> _1 		

• initial value	Hz	50
• final value	Hz	50
Control voltage/ _1		
• final value		
• initial value	V	230
•	V	230
Type of voltage / of the supply voltage		AC
supply voltage		
• minimum	V	250 ...
• maximum	V	250
Relay design		partially electronic
Operating tolerance		0.8 to 1.1*Uc
mounting position		optional
Rated operational voltage Ue / AC	V	250
degree of protection / according to German industrial standard EN 60529		IP20, with connected conductors
Standard		-
Connection terminals / ± screw (Pozidriv)		1
Rated operational current Ie / at cos = 0.6 ... 1	A	16
Rated control voltage Uc/AC	V	230
Rated impulse withstand voltage Uimp	kV	4
Rated power loss Pv / per contact at 16 A	W	1
Electrical service life / with Ie/Ue or specified lamp load		50,000
Manual operation		Yes
Climatic resistance / at 95 % relative humidity acc. to DIN 50015	°C	35
Contact cards / type		1 NO
Contact opening		> 1.2mm
Minimum contact loading		10V ; 100mA
Safe isolation / creepage distance and clearance between solenoid/contact		> 6mm
Different phases / between solenoid/contact		permissible
Permissible ambient temperature		-10 to +40°C
Rated frequency fc	Hz	50
Rated power loss Pv / solenoid W/VA		2.4/3.0
Conductor cross sections / flexible, with end sleeve		1 to 6mm ²
Conductor cross sections / rigid		1.5 to 6mm ²

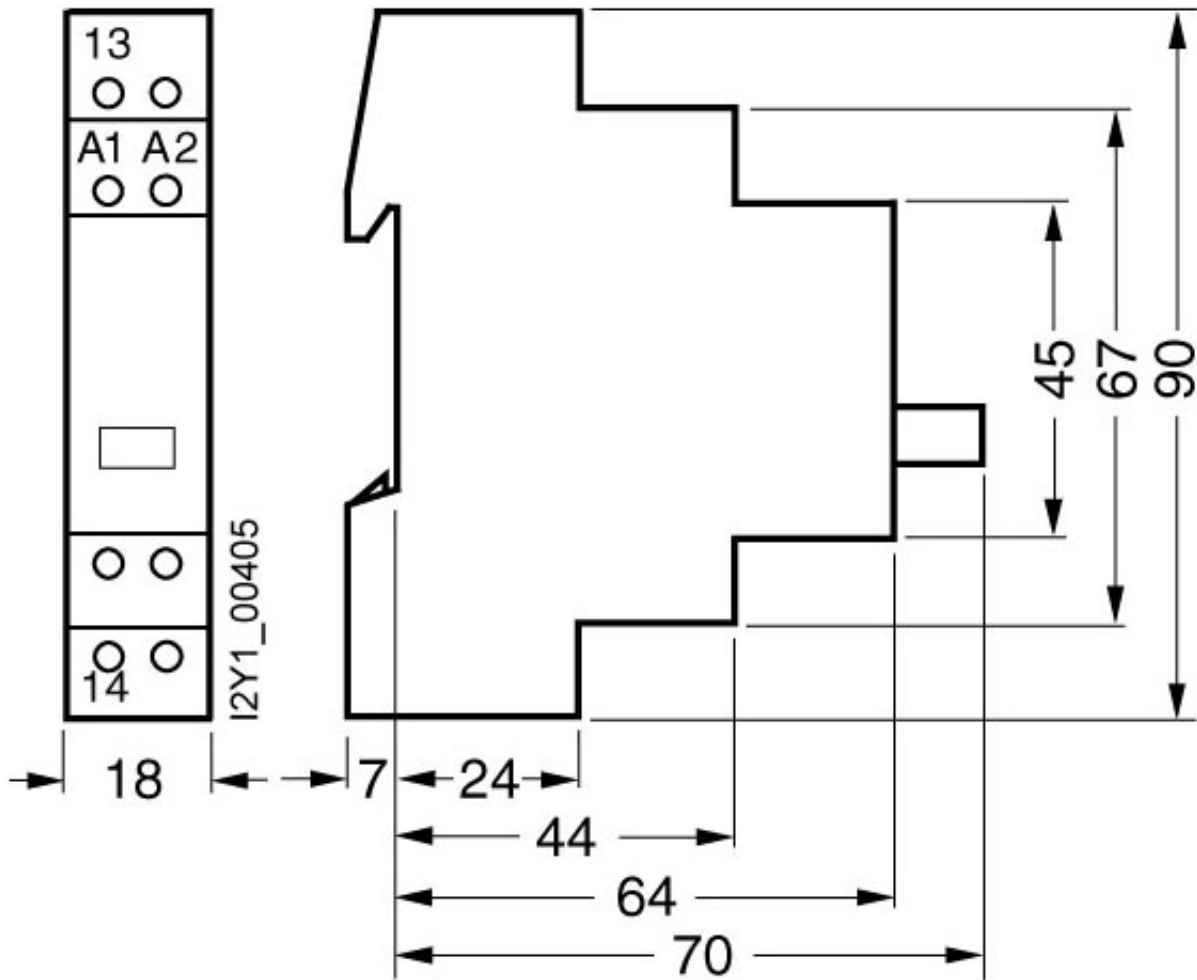
Further information:

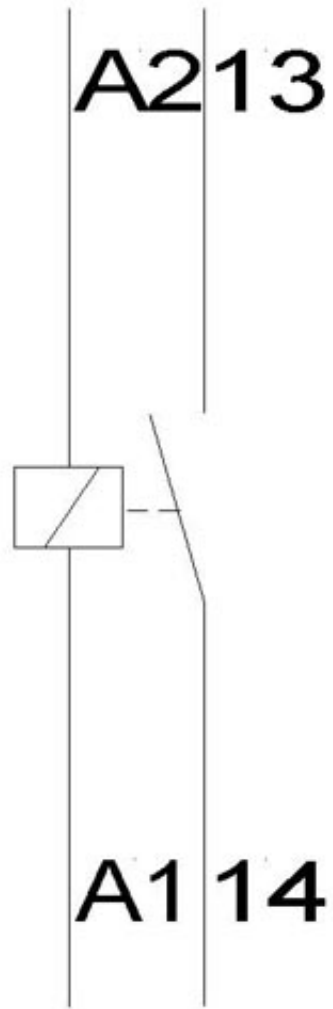
Information- and Downloadcenter (Catalogs, Brochures,...)

<http://www.siemens.com/lowvoltage/catalogs>

Tender specifications

Datanorm [GAEB81](#) [GAEB83](#) RTF TXT





last change:

Dec 6, 2010