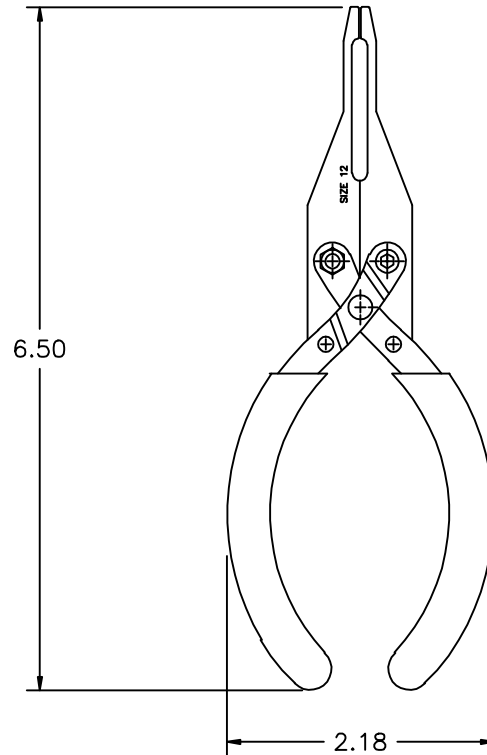
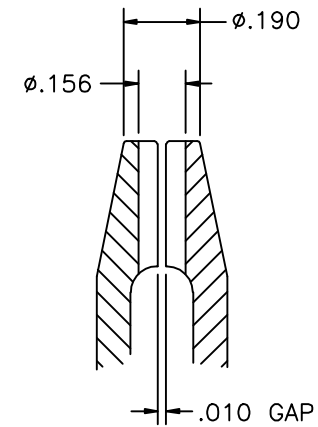


REVISIONS				
REV. SYM.	E.C.O. NUMBER	DESCRIPTION	BY DATE	APP'D DATE
1		ORIGINAL RELEASE	LME 5/29/86	TR 5/30/86
2		ADDED NOTE 2.	AAM 1/17/05	RRR 1/17/05
3	21481	"COMPARABLE TO" WAS "FUNCTIONAL EQUIVALENT" (2 PLS)	KDH 10/30/09	RRR 10/30/09



**UNCONTROLLED DOCUMENT  
WILL NOT BE UPDATED**



**RESTRICTED & CONFIDENTIAL**

CONFIDENTIAL PROPERTY OF DANIELS MANUFACTURING CORP. NOT TO BE DISCLOSED TO OTHERS, REPRODUCED OR USED FOR ANY OTHER PURPOSE, EXCEPT AS AUTHORIZED IN WRITING BY DANIELS MANUFACTURING. MUST BE RETURNED TO DANIELS MANUFACTURING CORP. ON COMPLETION OF ORDER OR OTHER PURPOSE FOR WHICH LENT.

DO NOT SCALE DRAWING

MATERIAL	
HEAT TREAT	
FINISH	

ITEM	PART NO.	QTY.	DESCRIPTION/REMARKS	
DRN.	LME	DATE 5/29/86	<b>DANIELS MANUFACTURING CORP.</b> ORLANDO, FLORIDA CAGE 11851	
CHK'D.	MGS	DATE 5/29/86		
APP'D.	KR	DATE 5/29/86		
APP'D.		DATE		
NOTE:			TITLE	
THIS DRAWING IS AN OUTLINE DRAWING OF THE RESPECTIVE DMC PART NUMBER INDICATED. ACTUAL DMC PART NUMBER IS DRAWING NUMBER WITHOUT THE "-ENV" SUFFIX.			INSTALLING TOOL SIZE 12 ENVELOPE DRAWING	
			WHERE USED:	
SIZE B		SCALE NTS	CAD P/N DAK168-12-ENV	SHEET 1 OF 1
POSTING		DWG. NO. DAK168-12-ENV	REV. 3	

- ③  
 2. COMPARABLE TO: ASTRO ATBX1-7082.  
 1. COMPARABLE TO: BENDIX 11-7082.

NOTES: