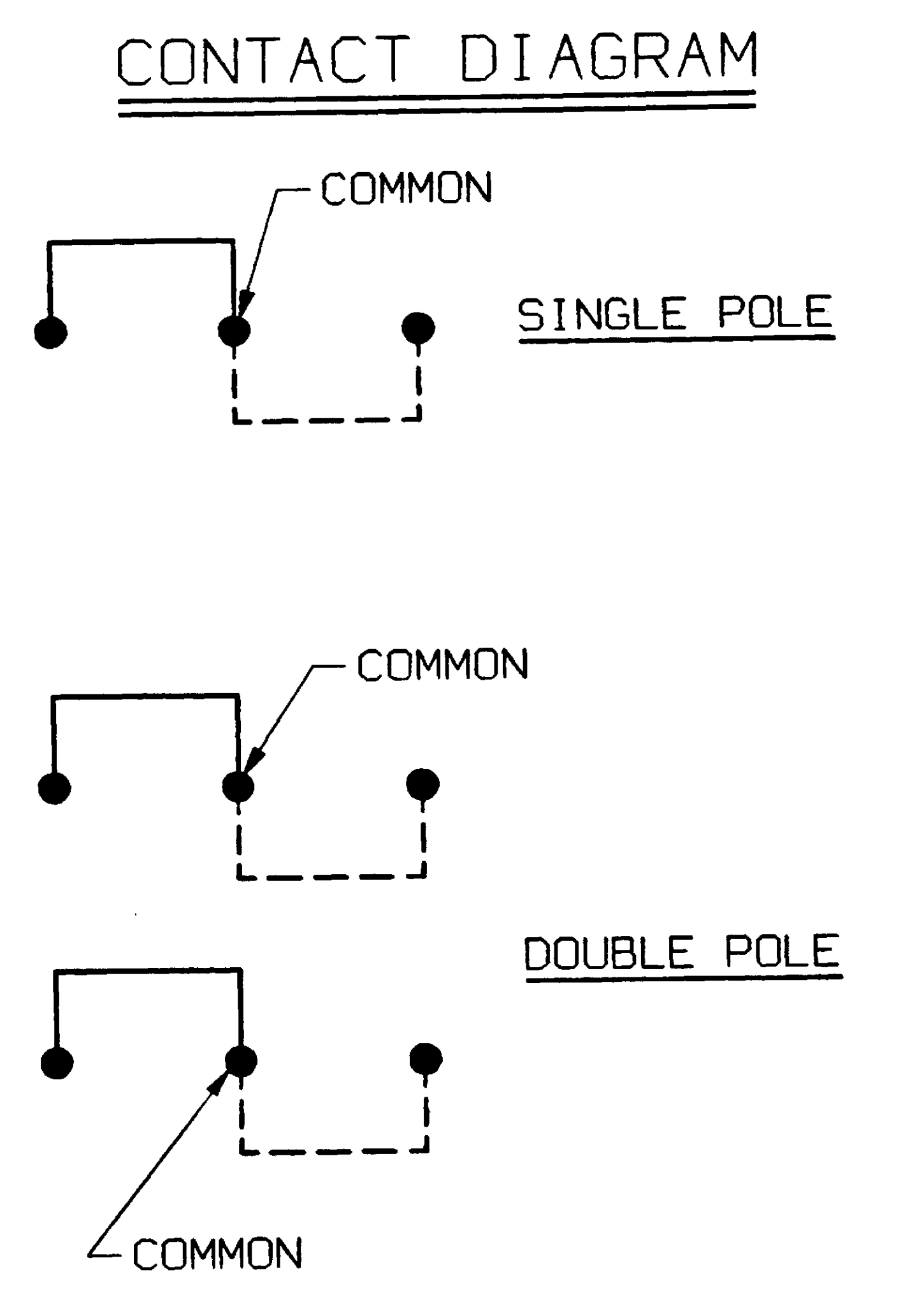
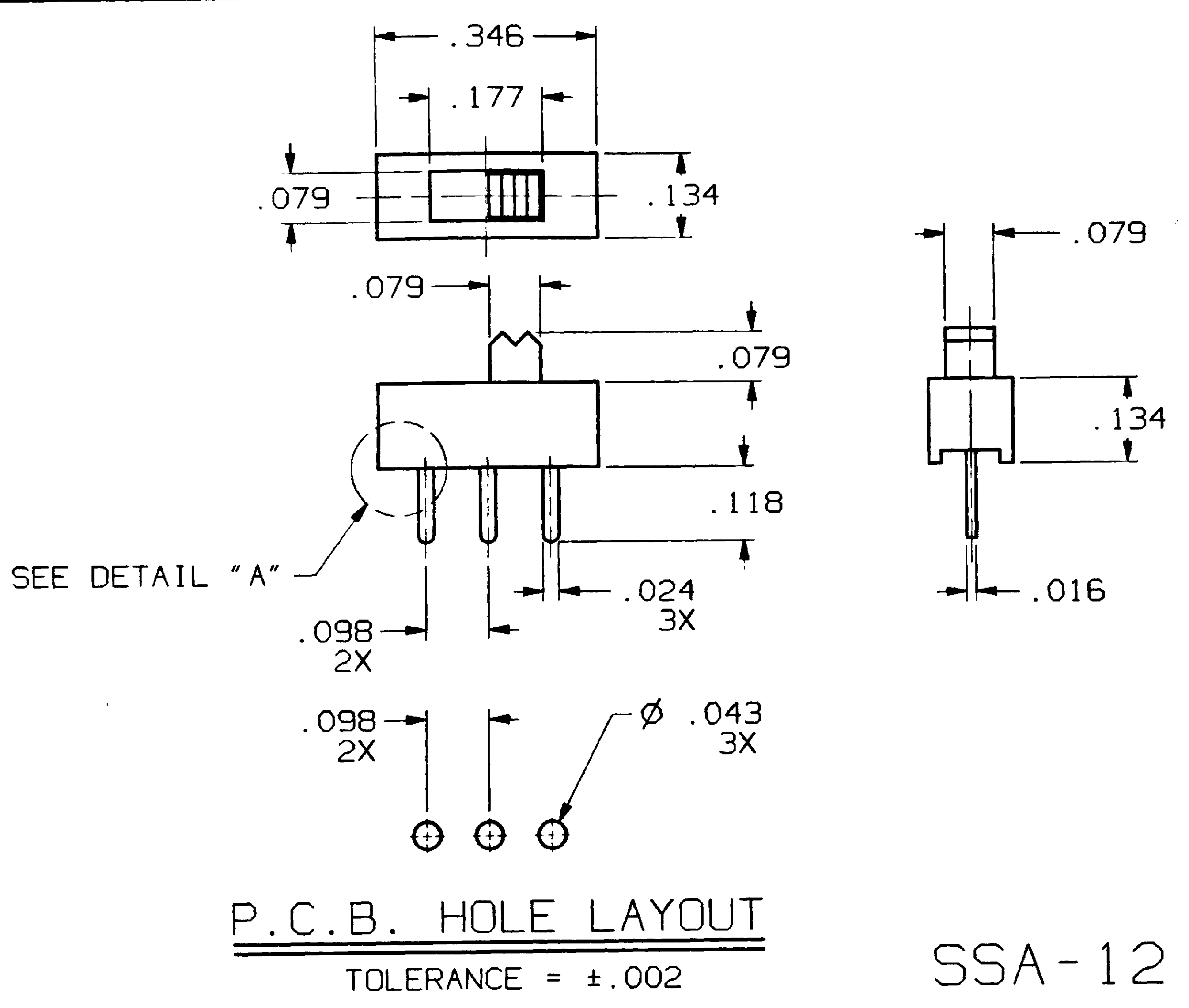


4 3 2 1

CONVERSION CHART	
INCH	MM
.002	0.05
.005	0.13
.010	0.25
.016	0.40
.024	0.69
.043	1.1
.079	2.00
.098	2.5
.118	3.0
.134	3.4
.138	3.5
.157	4.0
.161	4.1
.177	4.5
.217	5.5
.346	8.8
.354	9.0



SPECIFICATIONS:

MATERIALS:
CASE: POLYESTER.
ACTUATOR: POLYAMIDE.
MOVABLE CONTACT: SEE BELOW.
STATIONARY CONTACT: SEE BELOW.
TERMINALS: SEE BELOW.
TERMINAL SEAL: EPOXY.

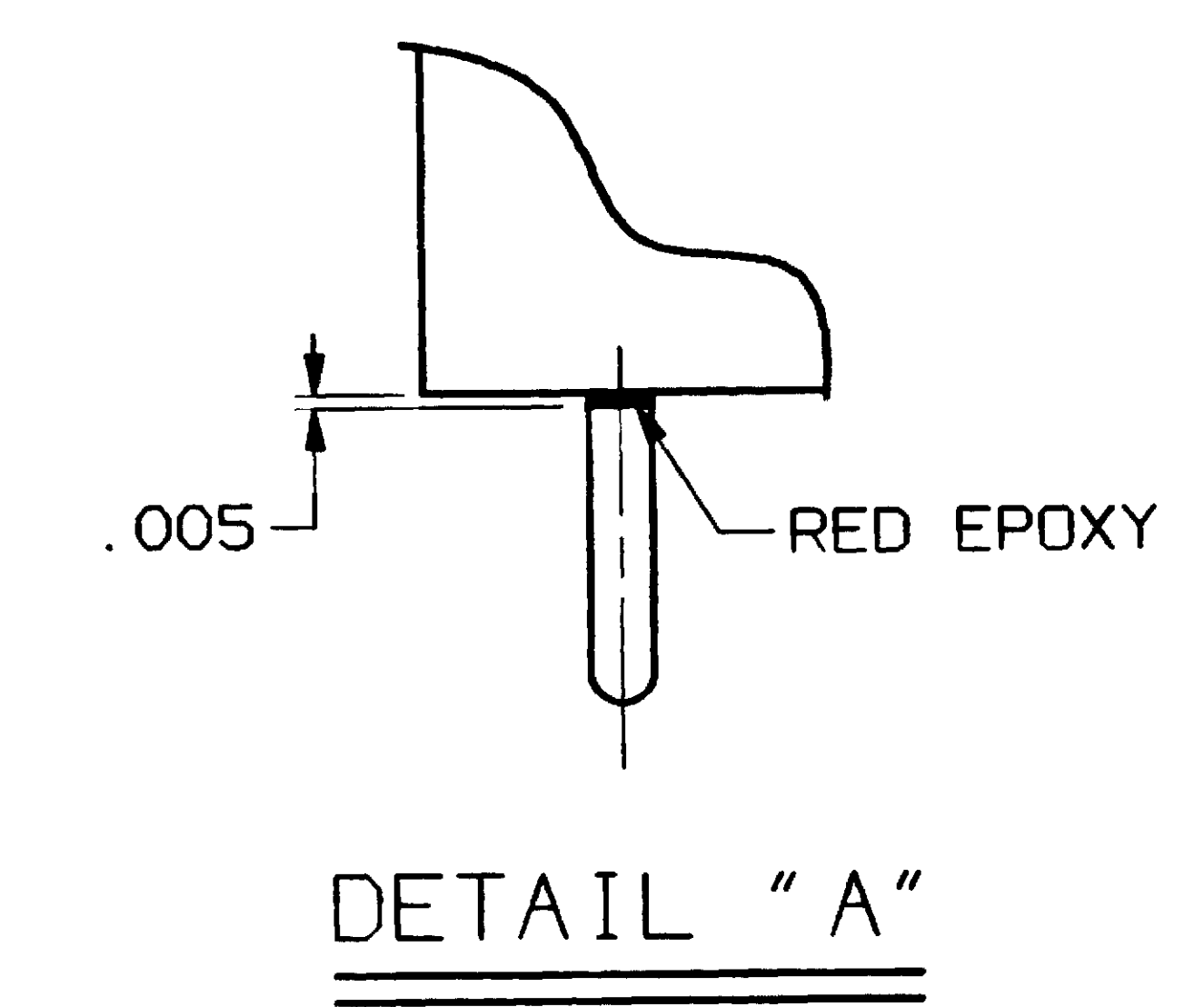
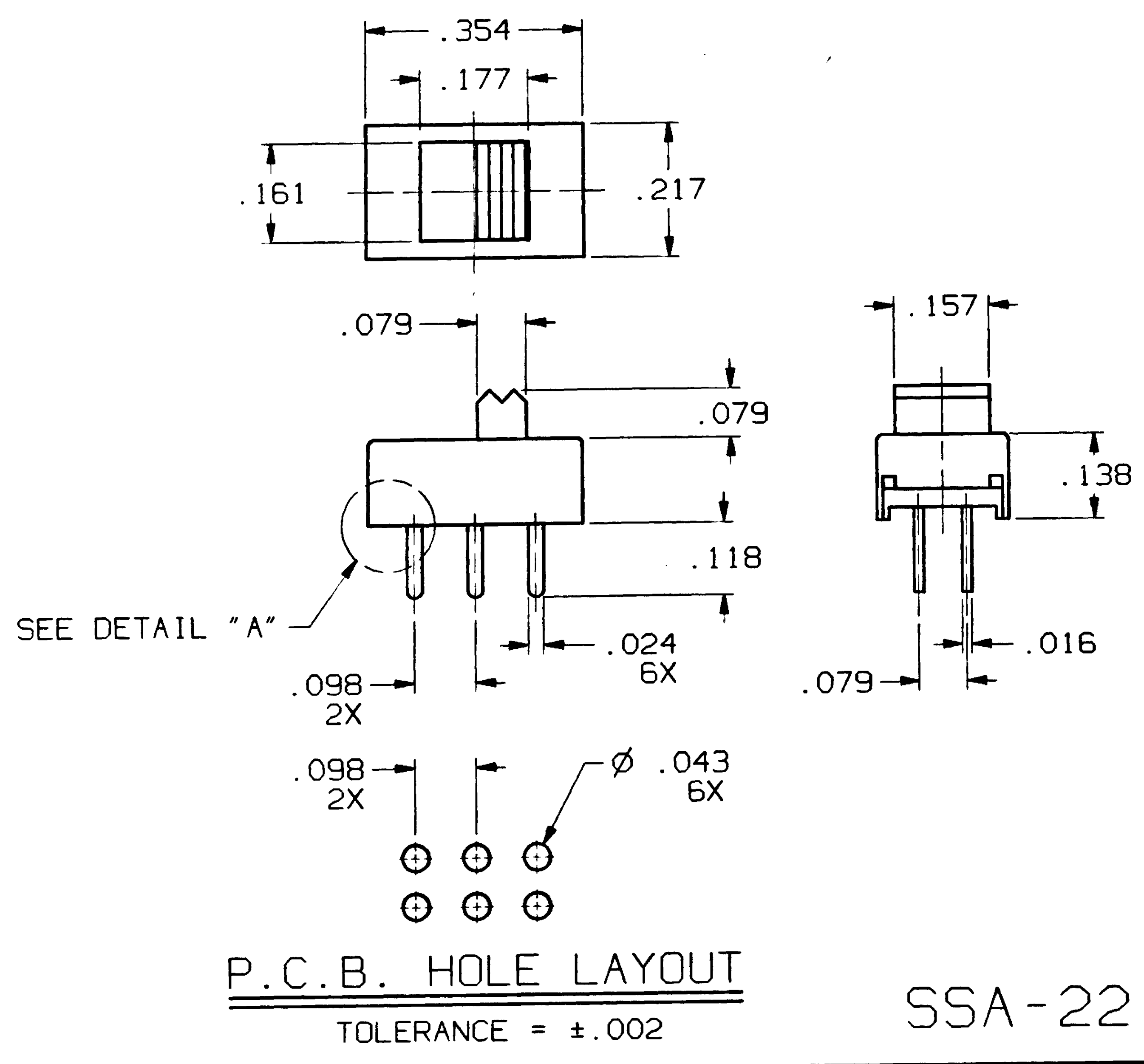
ELECTRICAL:
CONTACT RATING: SILVER = 100mA @ 30 VDC.
GOLD: = 0.4 VA MAX. @ 20 VDC OR PEAK AC.
INITIAL CONTACT RESISTANCE: 30 MILLIOHMS MAX..
INSULATION RESISTANCE: 100 MEGOHMS MIN.
DIELECTRIC STRENGTH: 500 VOLTS RMS @ SEA LEVEL.
LIFE EXPECTANCY: 10,000 CYCLES.

MECHANICAL:
ACTUATION FORCE: 250g, ±100g.

ENVIRONMENTAL:
OPERATING TEMPERATURE: -4°F TO +158°F (-20°C TO +70°C).
STORAGE TEMPERATURE: -40°F TO +194°F (-40°C TO +90°C).

NOTES:

1. INTERPRET DRAWING PER ASME Y14.5M-1994.



MODEL **SSA - XX X**

MATERIAL OPTION FOR MOVABLE CONTACT, STATIONARY CONTACT AND TERMINALS.

BLANK = SILVER OVER NICKEL OVER COPPER ALLOY.
G = GOLD OVER NICKEL OVER COPPER ALLOY

12 = SPDT
22 = DPDT

REV	2	3	4	5	6
REVISIONS	ESR#659 BS 5-29-84	ESR#1376 BB 4-23-85	ECM#3899 TT 12-20	ECM#556-92 TJ 4-28-92	REVISED & REDRAWN ECM# 392-95 S. KIRCORIAN 6-6-95 APP'D: 6/13/95

THIRD ANGLE PROJECTION

TOLERANCES (EXCEPT AS NOTED)
ANGULAR = ±1°
DECIMAL .XX = ±
DECIMAL .XXX = ±.010
DECIMAL .XXXX = ±

AUGAT CONFIDENTIAL
This document contains information which is the exclusive property of Augat Inc. Distribution, reproduction or use by others is not permitted without the expressed written consent of Augat Inc.

UNLESS OTHERWISE SPECIFIED DIMENSIONS ARE IN INCHES DO NOT SCALE PRINT

FILE NAME: 80433OUT
DIRECTOR: SLD5WCH

MATERIAL: SEE SPECIFICATIONS

FINISH: SEE SPECIFICATIONS

ORIGINAL DATE OF DRAWING: 11-24-82

DRAWN: BEV EICHKORN
DATE: 11-24-82

CHECKED: B. BUCKHEIT
DATE: 12-7-82

APPROVED: A. S. GREEN
DATE: 12-10-82

CODE IDENT. NO.: 91506
DWG. SIZE: C

NEXT ASSY:

AUGAT 452 JOHN DIETSCH BLVD. ATTLEBORO FALLS, MASS. 02763 INC.

TITLE: **OUTLINE DRAWING**
SLIDE - LOW PROFILE (SSA-12, SSA-22 SERIES)

DWG. NO. 80433
REV. 6

PRODUCT CODE:
SCALE: SHEET 1 OF 1