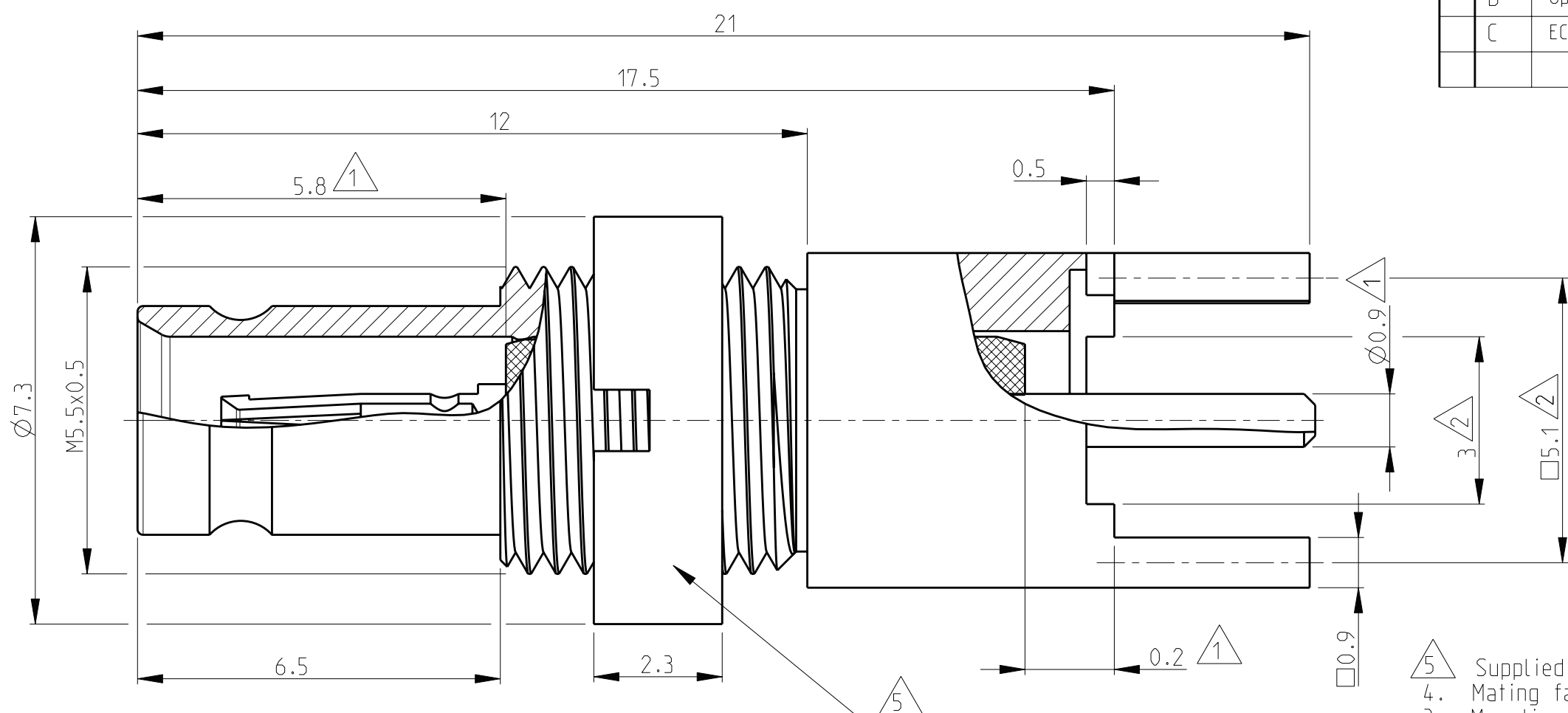
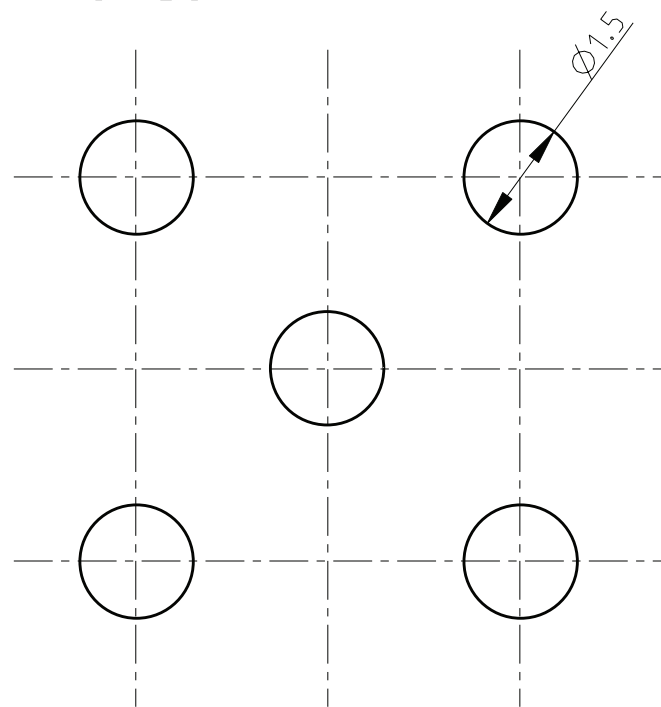


LOC	DIST	REVISIONS			
P	LTR	DESCRIPTION	DATE	DWN	APVD
IS	-	A1	SR10-0138-01	05APR2001	CM KM
		B	Update drawing	18.07.2006	AM DB
		C	ECR-07-018918	29OCT07	AN DB



Recommended PCB layout
Pitch 2.54 mm



- 5 Supplied as loose part
- 4. Mating face according to DIN 47297 and CECC 22230
- 3. Mounting requirements : PCB with Pitch 2.54
Thickness of PCB : ± 3mm
Diameter of bores : 1.5 mm 2
- 2 Nominal dimension
- 1 Minimum dimension

All dimensions are max dimensions unless otherwise specified

V23614-A1027-J1	8-1393670-3	Dielectric	PTFE	-
		Outer Cond.	Brass	min. 0.1µm Au over min. 2µm NiP
		Center Cond.	CuBe/Bronze	min. 0.1µm Au over min. 2µm NiP
Old P/N	TE P/N	Description	Material	Plating

<small>THIS DRAWING IS A CONTROLLED DOCUMENT FOR TYCO ELECTRONICS CORPORATION IT IS SUBJECT TO CHANGE AND THE CONTROLLING ENGINEERING ORGANIZATION SHOULD BE CONTACTED FOR THE LATEST REVISION.</small>		DWN MOROBE 02APR2001 CHK MATTHEEWS 4apr2001 APVD hozzer 5apr2001		Tyco Electronics Tyco Electronics CH - Switzerland - Lugano	
DIMENSIONS: mm		TOLERANCES UNLESS OTHERWISE SPECIFIED: 0 PLC ± 1 PLC ± 2 PLC ± 3 PLC ± 4 PLC ± ANGLES ±		NAME BULKHEAD JACK WITH PCB CONNECTION 1.0/2.3 75 Ohm	
MATERIAL -		FINISH -		PRODUCT SPEC 108-71032 APPLICATION SPEC - WEIGHT -	
		SIZE A3 CAGE CODE 00779 DRAWING NO C-8-1393670-3		RESTRICTED TO -	
		SCALE 10:1		SHEET 1 OF 1 REV C	

