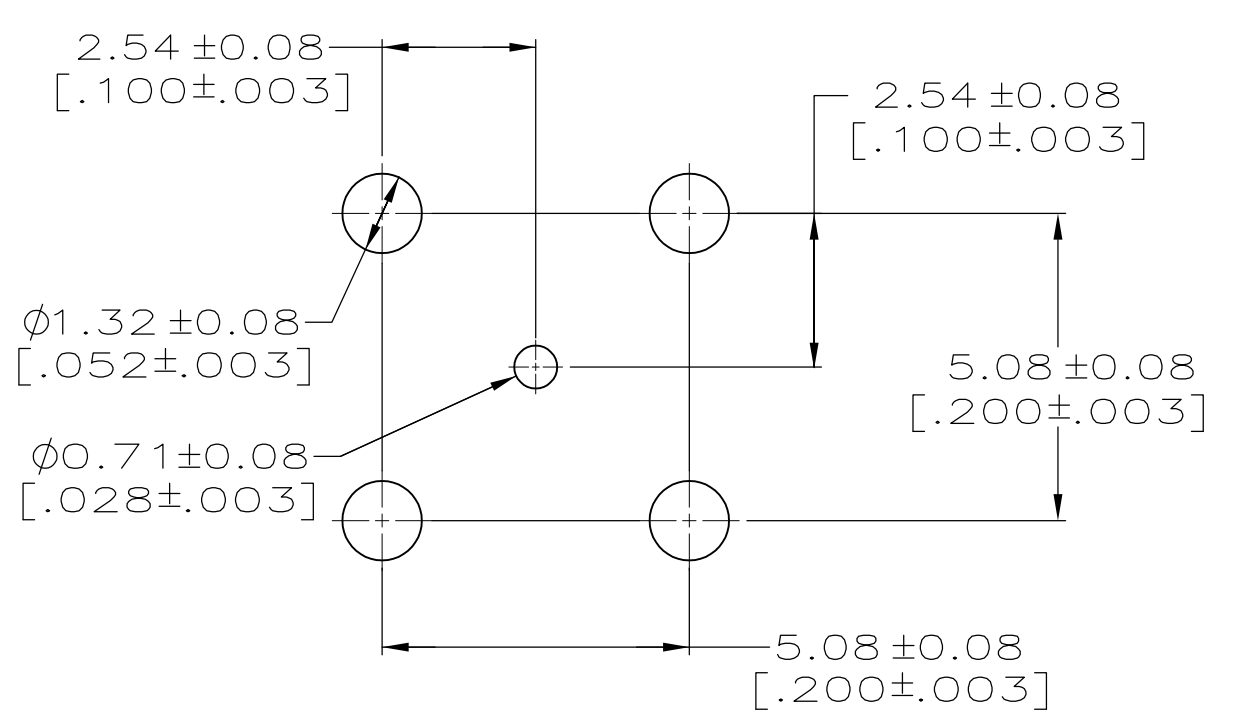
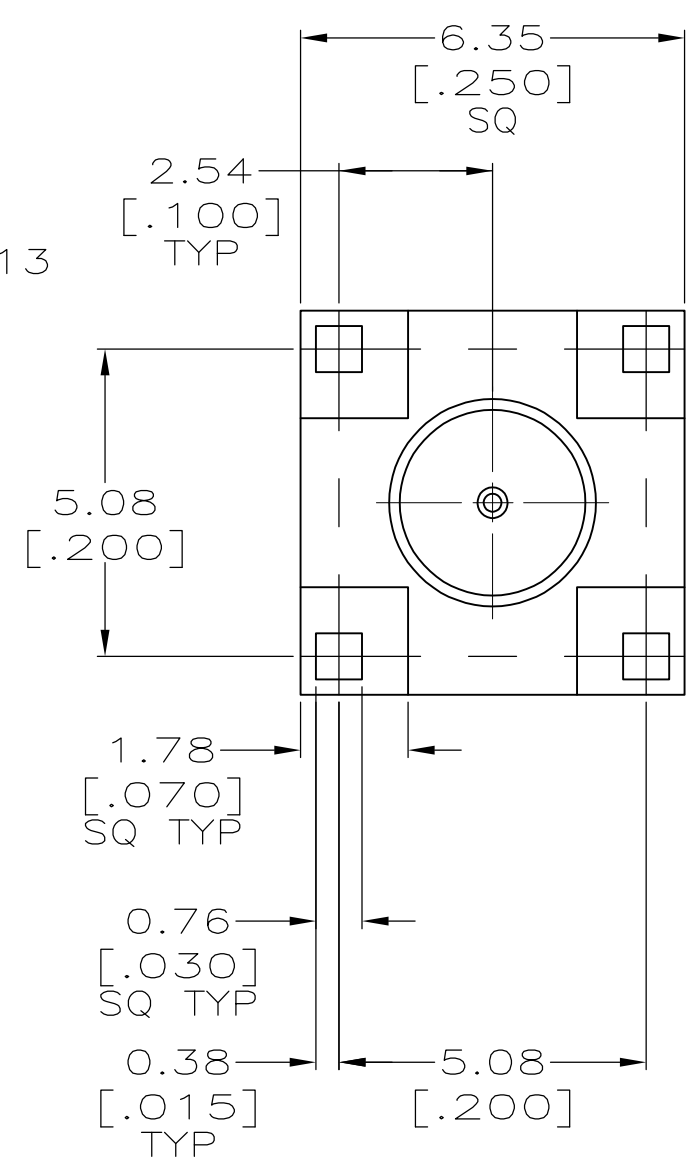
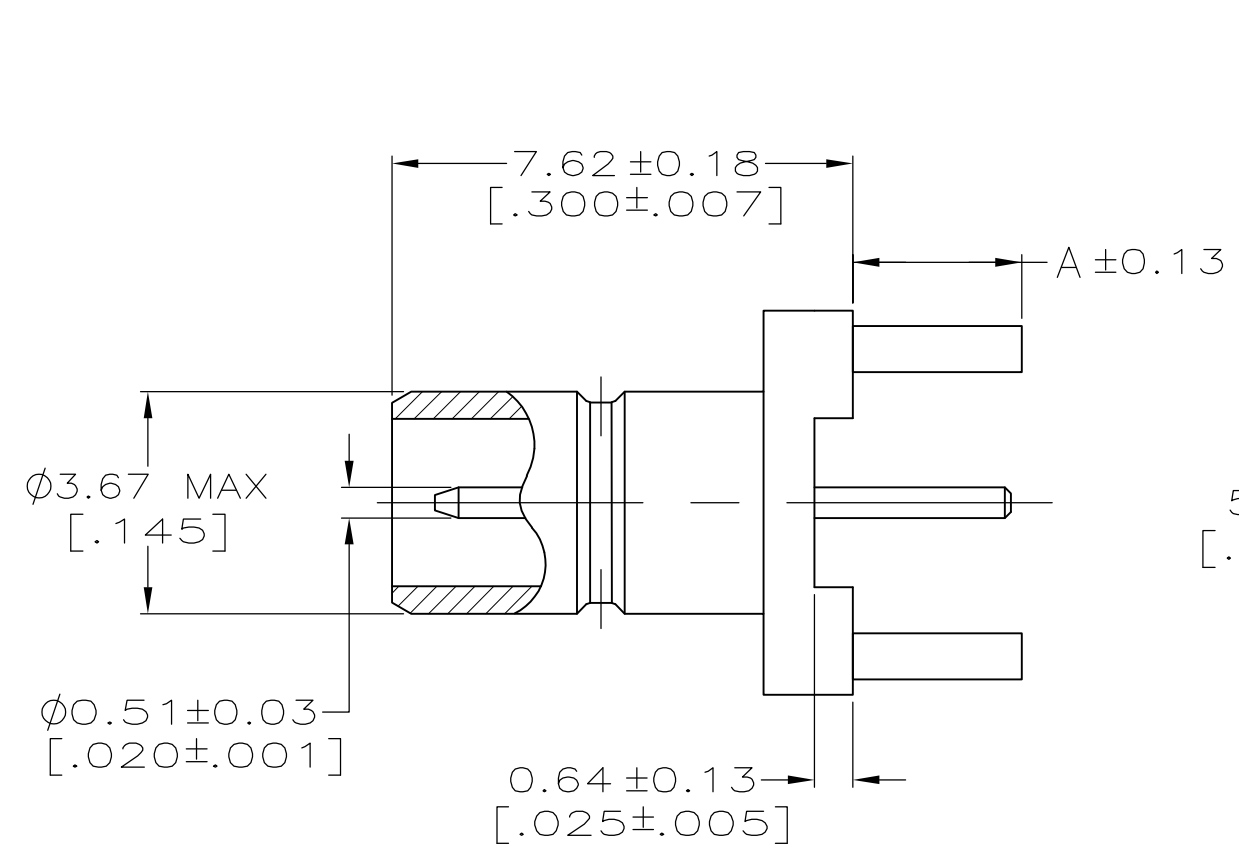


THIS DRAWING IS UNPUBLISHED. RELEASED FOR PUBLICATION
 © COPYRIGHT 2005 BY TYCO ELECTRONICS CORPORATION. ALL RIGHTS RESERVED.

LOC	DIST	REVISIONS					
AJ	16	P	LTR	DESCRIPTION	DATE	DWN	APVD
			B	REVISED PER ECO 07-017702 & 0S14-0457-04	07AUG2007	DW	JL



- ① MATERIALS:
 BODY: BRASS PER QQ-B-626.
 CONTACT: BRASS PER QQ-B-626.
 DIELECTRIC: TEFLON PER ASTM-D-1710.
- ② FINISHES:
 BODY: GOLD PER MIL-G-45204.
 CONTACT: GOLD PER MIL-G-45204.
- ③ FINISHES:
 BODY: GOLD FLASH PER MIL-G-45204
 OVER NICKEL PER QQ-N-290.
 CONTACT: GOLD PER MIL-G-45204.
- ④ SEE SEPERATE RESTRICTED
 CUSTOMER DRAWING WITH THIS
 PART NUMBER.

OBSOLETE	—	—	415504-6
	3.05 [.120]	③	415504-4
	3.05 [.120]	②	415504-3
	2.11 [.083]	③	415504-2
	2.11 [.083]	②	415504-1
A	FINISH	PART NUMBER	

THIS DRAWING IS A CONTROLLED DOCUMENT.		DWN	B.MOYER	27JUN96	Tyco Electronics Corporation Harrisburg, PA 17105-3608		
DIMENSIONS: mm [INCHES]		CHK	G. MICHAEL	28JUN96			
TOLERANCES UNLESS OTHERWISE SPECIFIED:		APVD	G. MICHAEL	28JUN96	NAME		
0 PLC ± -		PRODUCT SPEC			STRAIGHT JACK, PCB, 75 OHM, MINI-SMB		
1 PLC ± -		APPLICATION SPEC					
2 PLC ± 0.05 [.002]		SIZE	A3	CAGE CODE	00779	DRAWING NO	C-415504
3 PLC ± -		WEIGHT			RESTRICTED TO		
4 PLC ± -		MATERIAL			SCALE		
ANGLES ± -		FINISH			SHEET		
①		② ③			1 OF 1		
CUSTOMER DRAWING				SCALE		8:1	
				SHEET		1 OF 1	
				REV		B	