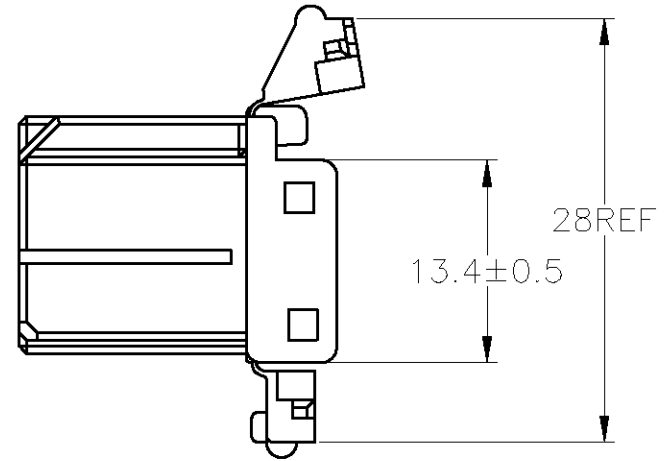
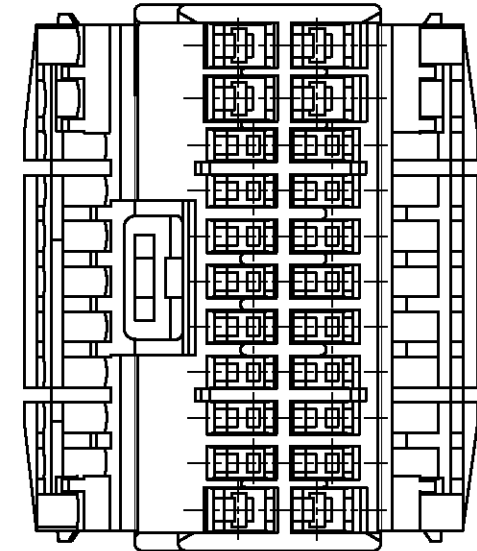
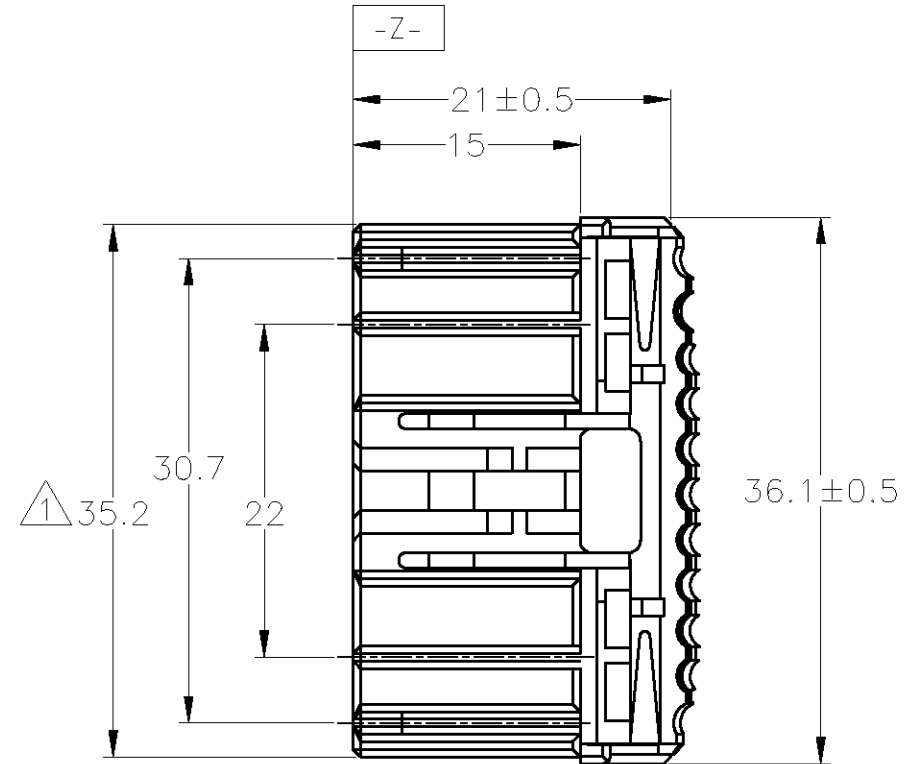
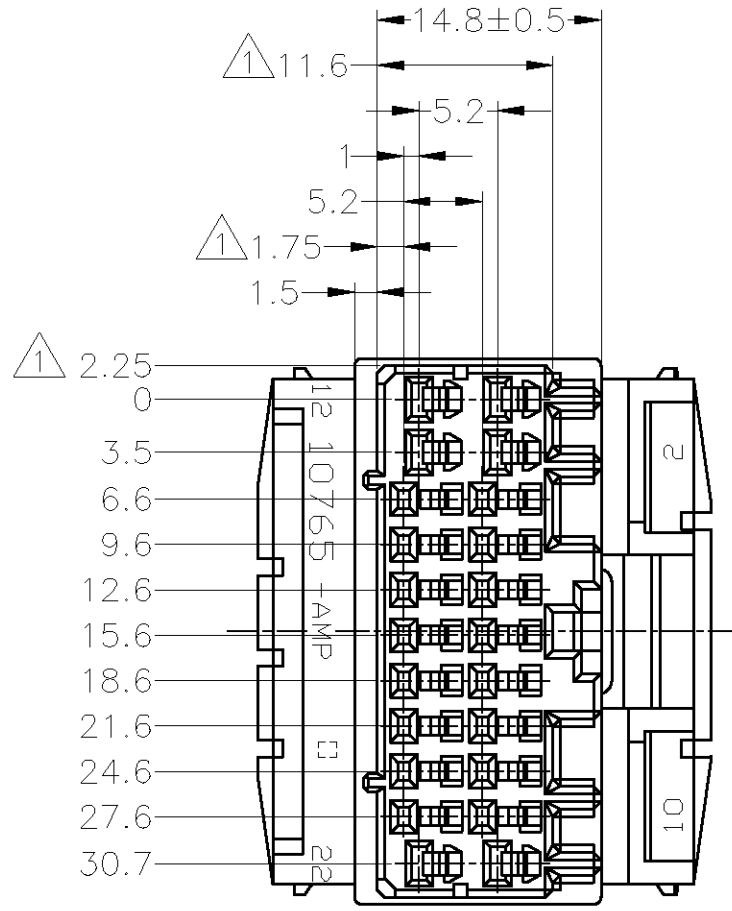


THIS DRAWING IS UNPUBLISHED. RELEASED FOR PUBLICATION  
 © COPYRIGHT BY TYCO ELECTRONICS CORPORATION. ALL INTERNATIONAL RIGHTS RESERVED.

LOC	DIST	REVISIONS						
		P	LTR	DESCRIPTION	DATE	DWN	APVD	
J	-	D1		REDRAWN W/CHANGE	ECR-10-017285	06SEP10	TS	KB



- ① MUST BE KEPT BETWEEN -Z- AND 2mm.  
 2. THE MATING CAP HOUSING PART NUMBER ; 174518  
 3. APPLIED CONTACT PART NUMBER ; 173631, 173716, 173630, 175094  
 4. APPLICABLE PRODUCT SPECIFICATION NUMBER ; 108-5280
- ① -Z- 面より 2mm の範囲で測定  
 2. 嵌合相手ハウジング型番 ; 174518  
 3. 内装するリセプタクルコンタクト型番 ; 173631, 173716, 173630, 175094  
 4. 適用製品規格番号 ; 108-5280

黄	YELLOW	174515-7
淡灰	LIGHT GRAY	6-174515-6
灰	GRAY	174515-6
青	BLUE	174515-5
白	WHITE	174515-1
色	COLOR	PART NUMBER

TOLERANCE UNLESS OTHERWISE SPECIFIED:	
一般公差	
0 < x ≤ 10	: ±0.2
10 < x ≤ 30	: ±0.25
30 < x ≤ 100	: ±0.3
ANGLE ; 角度	: ±3°

THIS DRAWING IS A CONTROLLED DOCUMENT.		DWN T.SHINOHARA 06SEP10		Tyco Electronics Corporation Kawasaki, Japan	
DIMENSIONS: mm		CHK K.BETSUI 06SEP10			
TOLERANCES UNLESS OTHERWISE SPECIFIED:		APVD K.BETSUI 06SEP10		NAME	
		PRODUCT SPEC		HYBRID I/O CONNECTOR	
MATERIAL PBT		FINISH -		22POSITION PLUG HOUSING	
		SEE NOTE 4		SIZE CAGE CODE DRAWING NO RESTRICTED TO	
		APPLICATION SPEC		A3 00779 C-174515	
		WEIGHT -		SCALE 2:1 SHEET 1 OF 1 REV D1	
		CUSTOMER DRAWING			