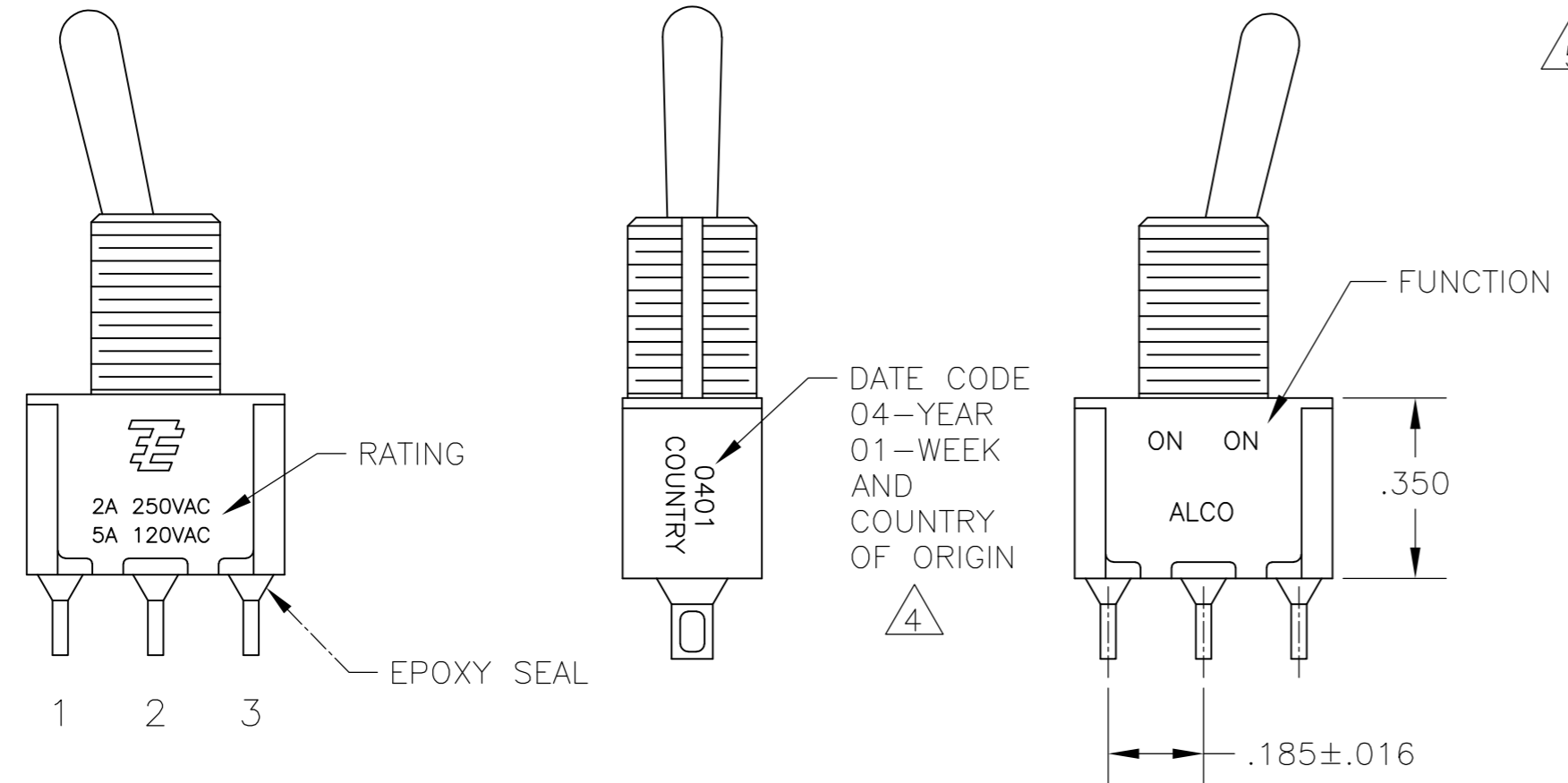
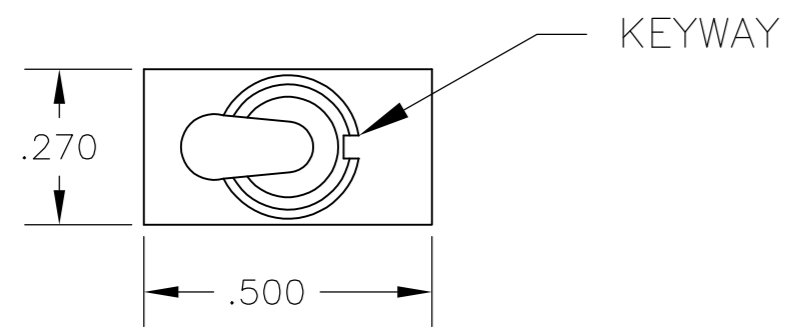


THIS DRAWING IS UNPUBLISHED. RELEASED FOR PUBLICATION  
 © COPYRIGHT BY TYCO ELECTRONICS CORPORATION. ALL RIGHTS RESERVED.

| LOC |     | DIST                      |  | REVISIONS |     |      |  |
|-----|-----|---------------------------|--|-----------|-----|------|--|
| P   | LTR | DESCRIPTION               |  | DATE      | DWN | APVD |  |
|     | A2  | REVISED PER ECO-10-009310 |  | 07MAY10   | HMR | MW   |  |

NOTES:

- ALL MATERIALS AND FINISHES SHALL COMPLY WITH EU DIRECTIVE 2002/95/EC OF 27JAN2003 (ROHS).
  - EACH SWITCH WITH THREADED BUSHINGS SUPPLIED WITH THE FOLLOWING MOUNTING HARDWARE:  
 (2) HEX NUTS  
 (1) INTERNAL TOOTH LOCKWASHER  
 (1) LOCATING RING
  - G CONTACT OPTION CAN BE USED FOR SIGNAL OR POWER LEVEL SWITCHING. IF SWITCH IS USED AT LEVELS EXCEEDING .4VA @ 20V AC/DC, SWITCH IS RENDERED FOR POWER SWITCHING ONLY DUE TO ARC REMOVAL OF GOLD PLATING. RATING STAMPED ON FRAME IS 2A 250VAC, 5A 120VAC.
- 4 DATE CODE AND COUNTRY OF ORIGIN MAY APPEAR ON EITHER SIDE OF SWITCH.  
 5 LENGTH OF TOGGLE REDUCED BY .020 WITH A, AV2, V30 OR V40 VERTICAL SUPPORT BRACKET OPTIONS.



| FUNCTION            | 1 2 3 | 1 2 3 | 1 2 3 |
|---------------------|-------|-------|-------|
| 03                  | ON    | OFF   | ON    |
| 05                  | (ON)  | OFF   | (ON)  |
| 07                  | ON    | OFF   | (ON)  |
| TERMINALS CONNECTED | 2-3   | ---   | 1-2   |

None: No mechanical position  
 Off: Mechanical position with no electrical connection  
 (On): Momentary action

|                                 |  |
|---------------------------------|--|
| RATING, B CONTACTS              | .4VA MAX @20V MAX. AC OR DC                                      |
| RATING, G CONTACTS—SEE NOTE 3   | .4VA MAX @20V MAX. AC OR DC OR 5A @120 VAC OR 28 VDC (RESISTIVE) |
|                                 | 2A @250 VAC (RESISTIVE)  |
| RATING, Q CONTACTS              | 5A @120 VAC OR 28 VDC (RESISTIVE)                                |
|                                 | 2A @250 VAC (RESISTIVE)  |
| ELECTRICAL LIFE                 | 6,000 CYCLES AT RATED LOAD                                       |
| CONTACT RESISTANCE              | 10 MILLIOHMS MAX INITIAL @ 2-4VDC, 100ma                         |
| INSULATION RESISTANCE           | 1,000 MEGOHMS MIN  |
| DIELECTRIC WITHSTANDING VOLTAGE | 1,000 V RMS AT SEA LEVEL   |
| OPERATING TEMPRATURE            | -30C TO 85C  |

| MODEL | FUNCTION | TOGGLE | BUSHING | TERMINAL | CONTACT | RoHS |
|-------|----------|--------|---------|----------|---------|------|
| A1    | 03       | K      | CW      | A        | B       | 04   |
|       | 05       | K1     | D       | AV2      | G       |      |
|       | 07       | L      | D9      | C        | Q       |      |
|       |          | L1     | H       | V30      |         |      |
|       |          | L2     | Y       | V40      |         |      |
|       |          | M      | Y9      | W        |         |      |
|       |          | P3     |         | W4       |         |      |
|       |          | S      |         | Z        |         |      |
|       |          | T      |         | Z3       |         |      |
|       |          | T1     |         |          |         |      |

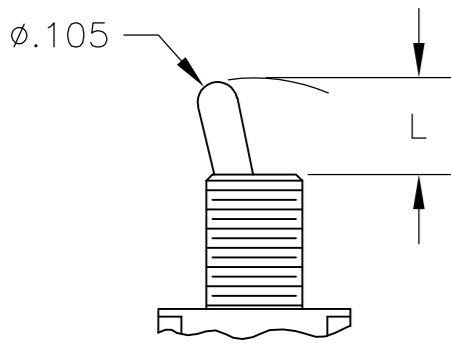
EXAMPLE: A103SYCQ04

THIS DRAWING IS A CONTROLLED DOCUMENT.

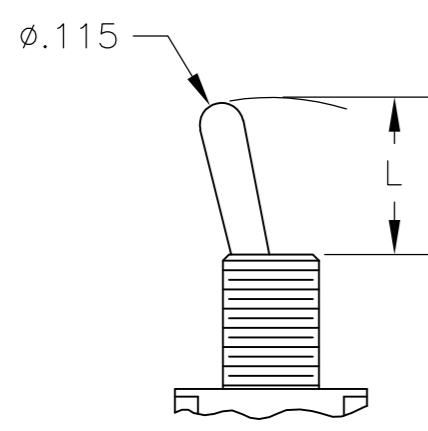
|                    |   |   |  |
|--------------------|---|---|--|
| DIMENSIONS: INCHES | TOLERANCES UNLESS OTHERWISE SPECIFIED:<br>0 PLC ± -<br>1 PLC ± -<br>2 PLC ± -<br>3 PLC ± .010<br>4 PLC ± -<br>ANGLES ± 2° | DWN M. ZITTO 18MAY05<br>CHK M. ZITTO<br>APVD M. ZITTO<br>PRODUCT SPEC<br>APPLICATION SPEC | Tyco Electronics Corporation<br>Harrisburg, Pa 17105-3608                              |
| MATERIAL           | FINISH  | WEIGHT  | NAME<br>GEMINI A SERIES TOGGLE SWITCH, SINGLE POLE, 3 POSITION FUNCTIONS (03, 05 & 07) |
|                    |   | CUSTOMER DRAWING  | SIZE CAGE CODE DRAWING NO RESTRICTED TO<br>A2 00779 C=1825137                          |
|                    |   |   | SCALE 3:1 SHEET 1 of 4 REV A2  |

THIS DRAWING IS UNPUBLISHED. RELEASED FOR PUBLICATION  
 © COPYRIGHT BY TYCO ELECTRONICS CORPORATION. ALL RIGHTS RESERVED.

# TOGGLES

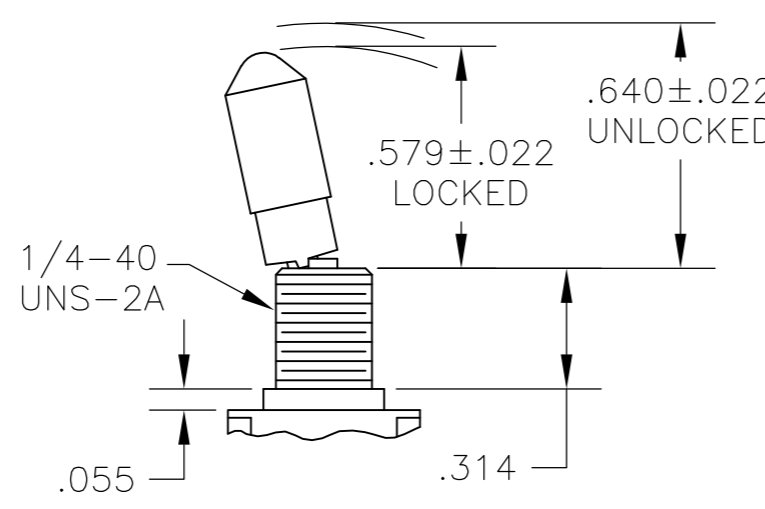


**M** SHORT

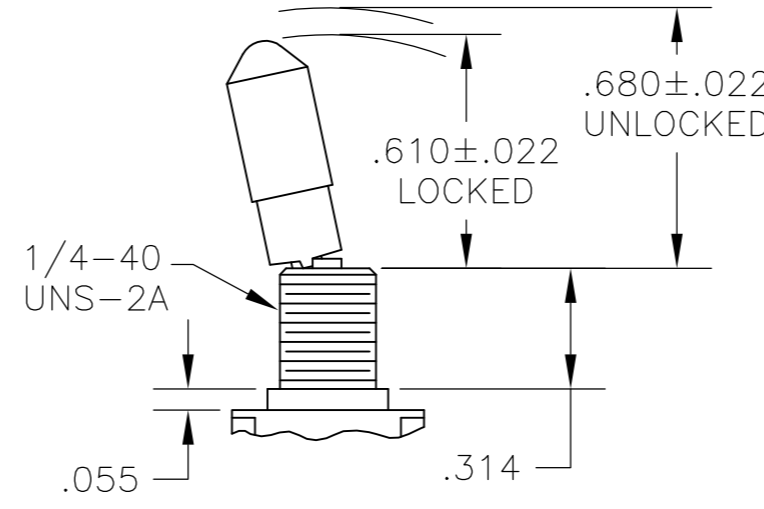


**S** STANDARD

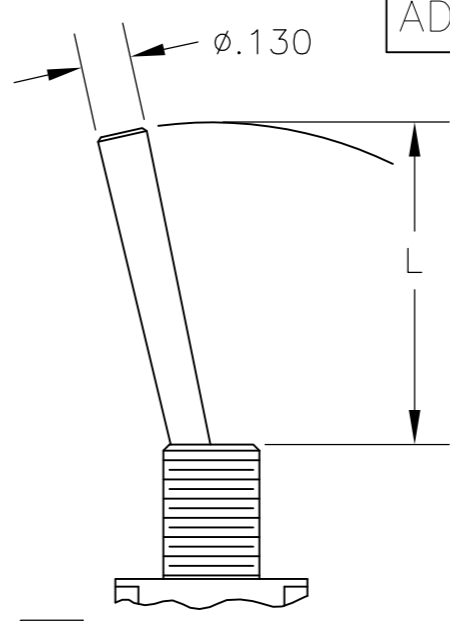
| DIM L | BUSHING TYPE | DIM L | BUSHING TYPE |
|-------|--------------|-------|--------------|
| .200  | Y, H         | .410  | Y, H         |
| .270  | D, D9        | .480  | D, D9        |



**K** NO BUSHING OPTION NEEDED

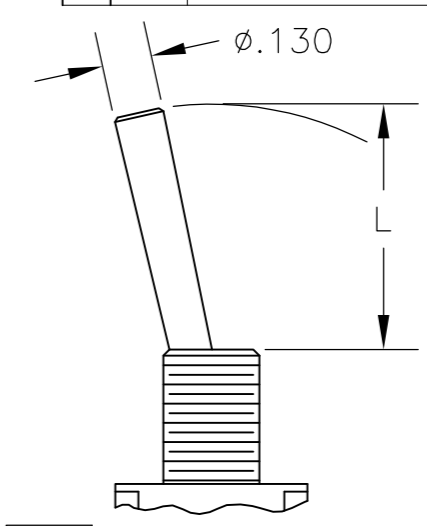


**K1** NO BUSHING OPTION NEEDED



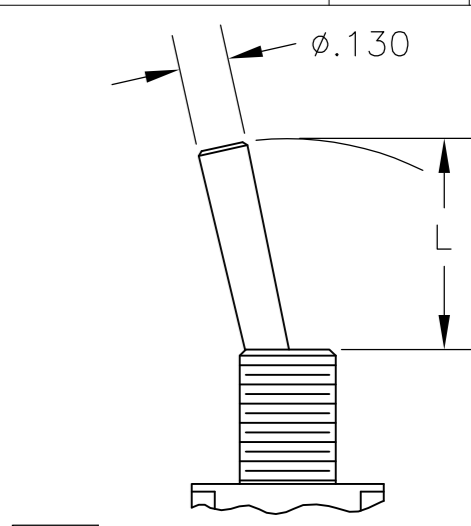
**L** LEVER

| DIM L | BUSHING TYPE |
|-------|--------------|
| .840  | Y, H         |
| .910  | D, D9        |



**L1** LEVER

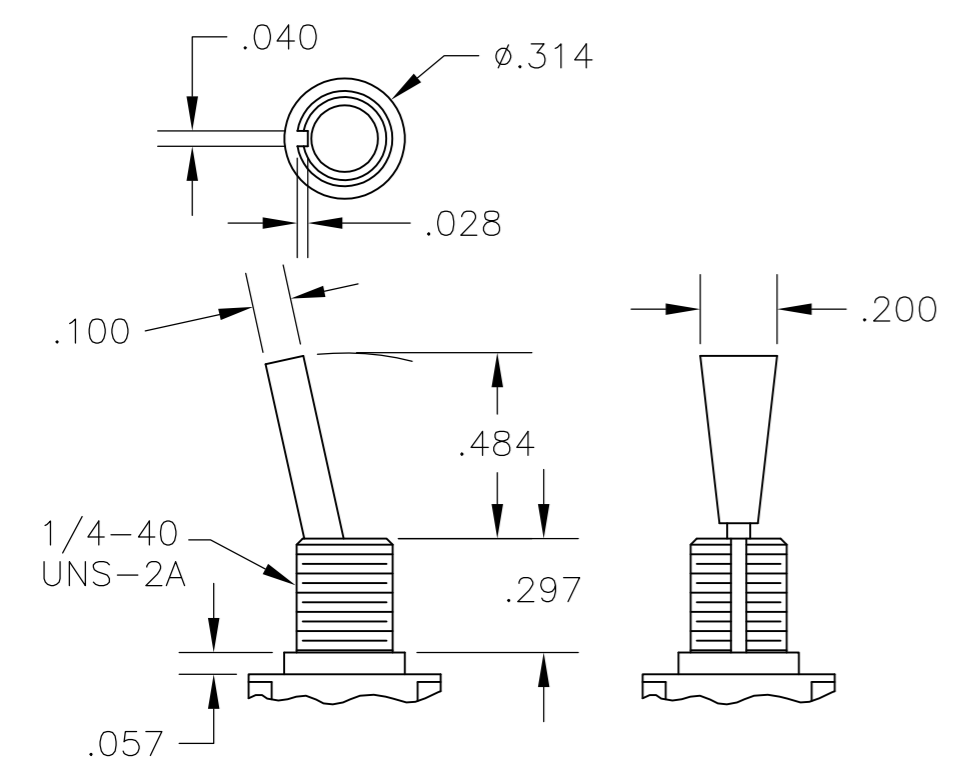
| DIM L | BUSHING TYPE |
|-------|--------------|
| .640  | Y, H         |
| .710  | D, D9        |



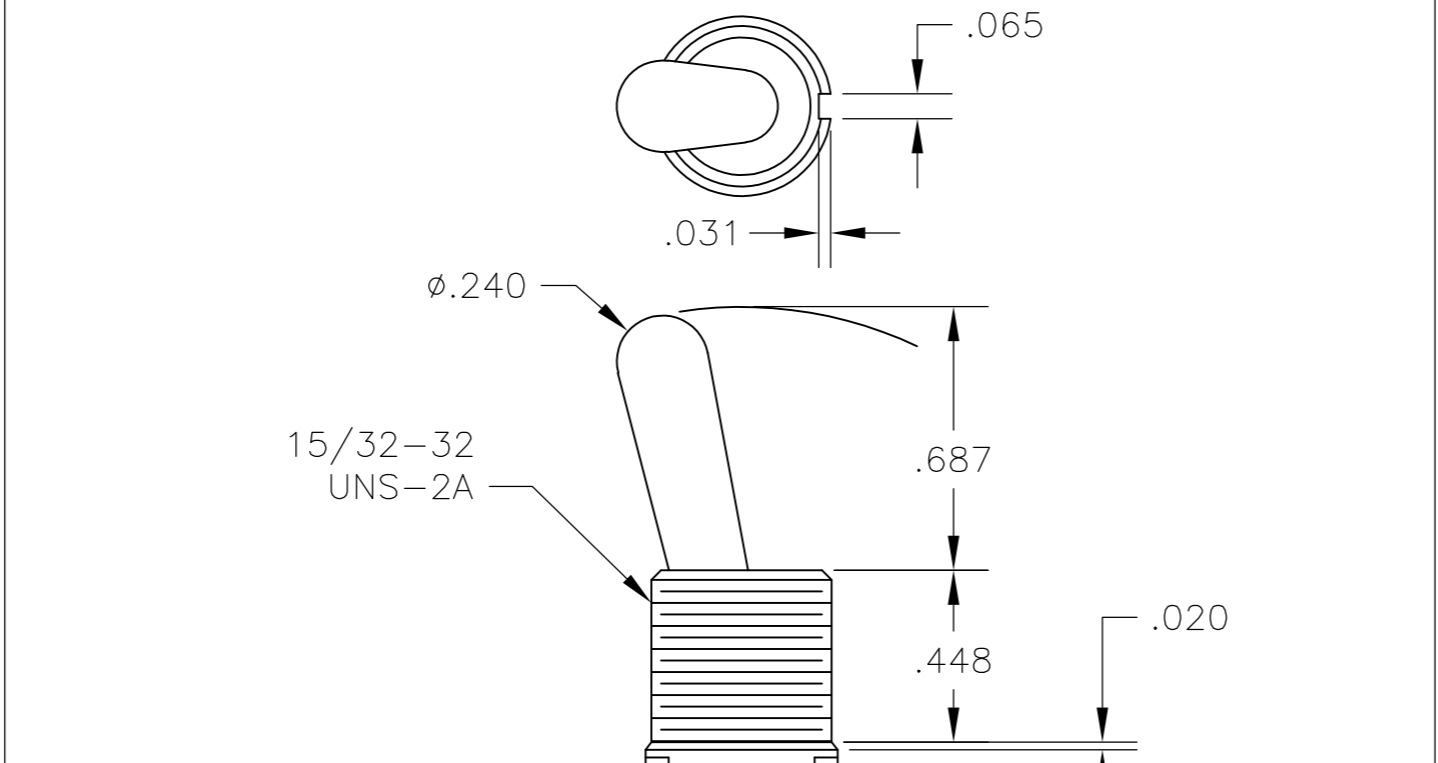
**L2** LEVER

| DIM L | BUSHING TYPE |
|-------|--------------|
| .550  | Y, H         |
| .620  | D, D9        |

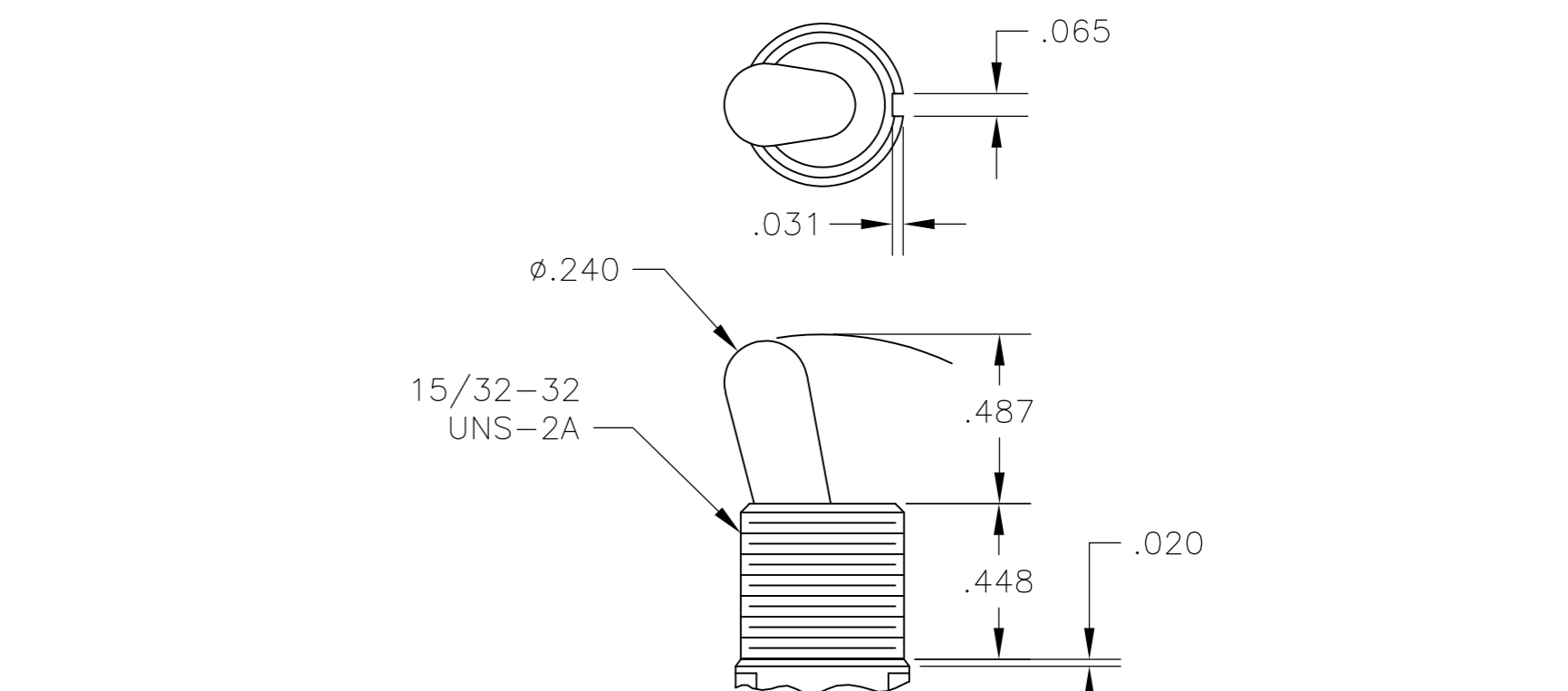
| LOC | DIST | REVISIONS   |      |     |      |
|-----|------|-------------|------|-----|------|
| P   | LTR  | DESCRIPTION | DATE | DWN | APVD |
| AD  | 00   | SEE SHEET 1 | -    | -   | -    |



**P3** NO BUSHING OPTION NEEDED

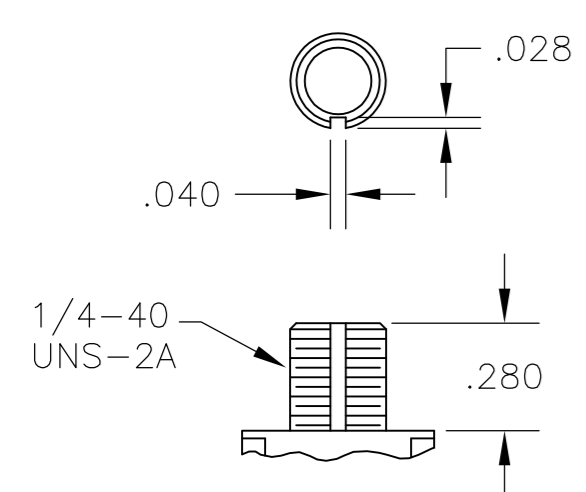


**T** NO BUSHING OPTION NEEDED

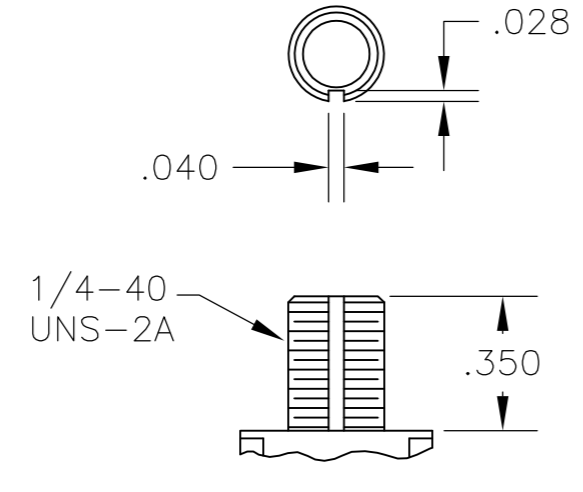


**T1** NO BUSHING OPTION NEEDED

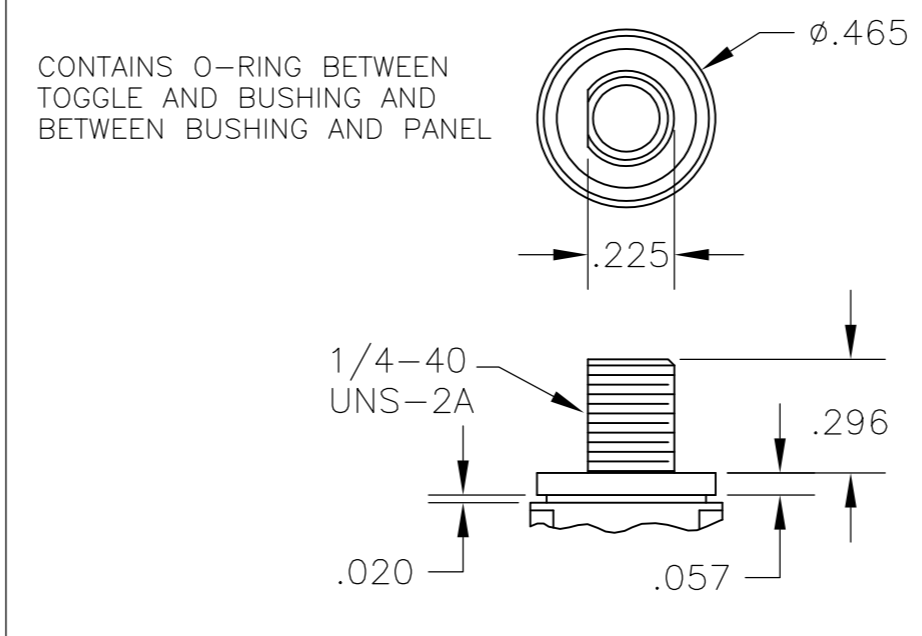
# BUSHINGS



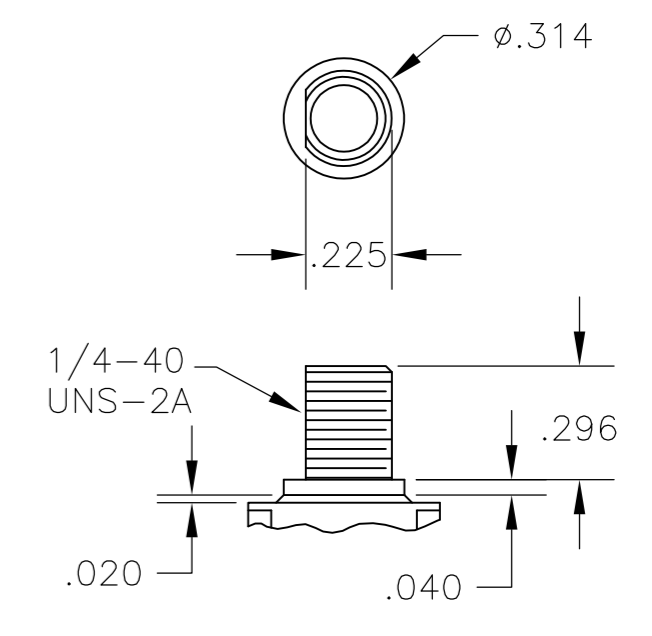
**D** THREADED  
**D9** UNTHREADED



**Y** THREADED  
**Y9** UNTHREADED



**CW** THREADED SPLASHPROOF



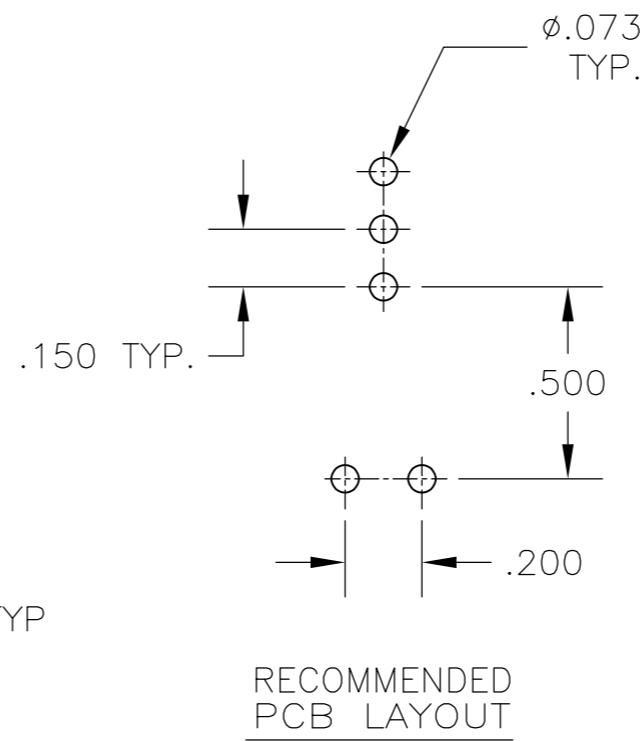
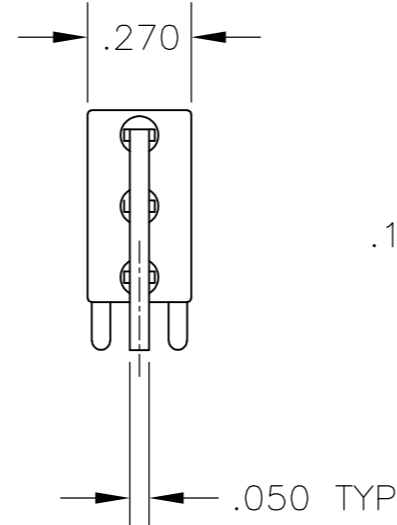
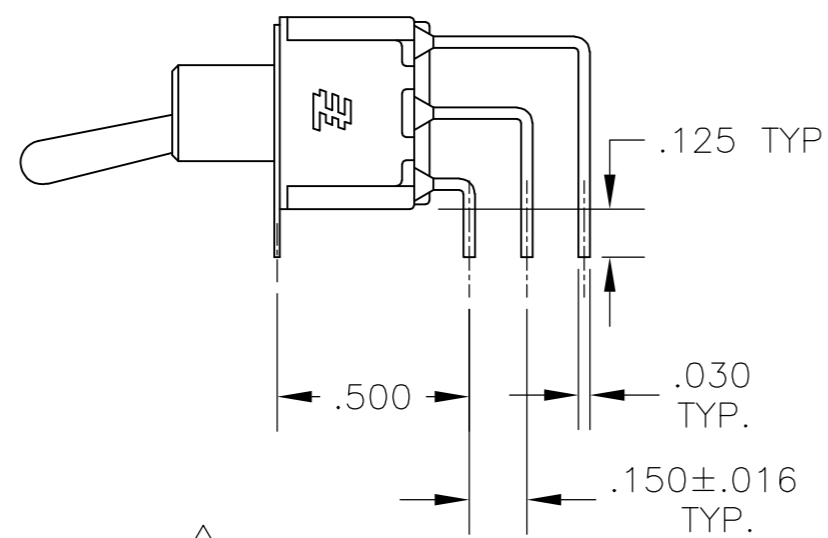
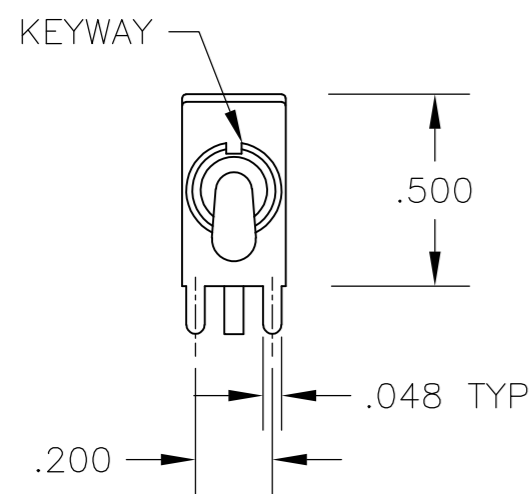
**H** HIGH TORQUE

THIS DRAWING IS A CONTROLLED DOCUMENT.

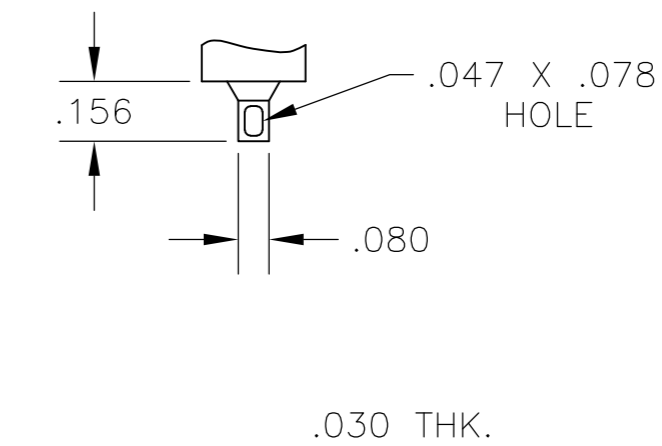
|                    |  |                  |         |  |                  |
|--------------------|--|------------------|---------|--|------------------|
| DIMENSIONS: INCHES | TOLERANCES UNLESS OTHERWISE SPECIFIED: | DWN: M. ZITTO    | 18MAY05 | Tyco Electronics Corporation<br>Harrisburg, Pa 17105-3608                            |                  |
|                    | 0 PLC ± -                              | CHK: M. ZITTO    | -       | NAME: GEMINI A SERIES TOGGLE SWITCH, SINGLE POLE, 3 POSITION FUNCTIONS (03, 05 & 07) |                  |
|                    | 1 PLC ± -                              | APVD: M. ZITTO   | -       | SIZE: A2   | CAGE CODE: 00779 |
|                    | 2 PLC ± -                              | PRODUCT SPEC     | -       | DRAWING NO: C=1825137  | RESTRICTED TO: - |
|                    | 3 PLC ± .010                           | APPLICATION SPEC | -       | SCALE: 2:1   | SHEET: 2 of 4    |
| 4 PLC ± -          | ANGLES ± 2°                            | WEIGHT: -        | -       | REV: A2  | -                |
| MATERIAL: -        | FINISH: -                              | CUSTOMER DRAWING | -       | -  | -                |

THIS DRAWING IS UNPUBLISHED. RELEASED FOR PUBLICATION  
 © COPYRIGHT BY TYCO ELECTRONICS CORPORATION. ALL RIGHTS RESERVED.

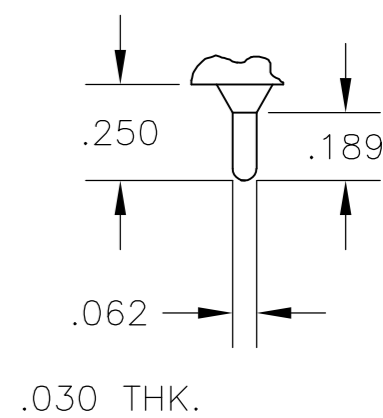
| LOC |    | DIST |     | REVISIONS   |      |     |      |
|-----|----|------|-----|-------------|------|-----|------|
| AD  | 00 | P    | LTR | DESCRIPTION | DATE | DWN | APVD |
|     |    |      |     | SEE SHEET 1 | -    | -   | -    |



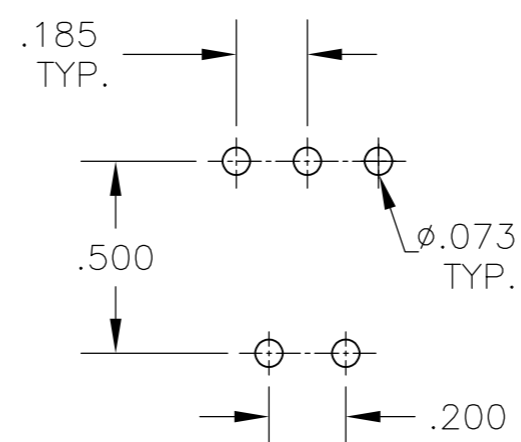
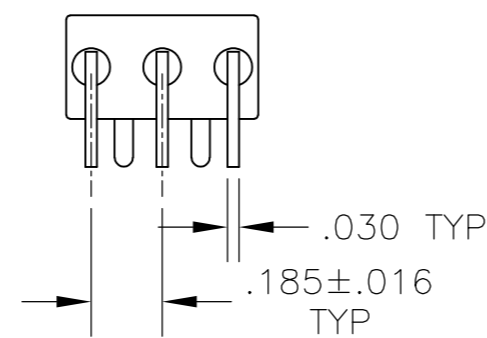
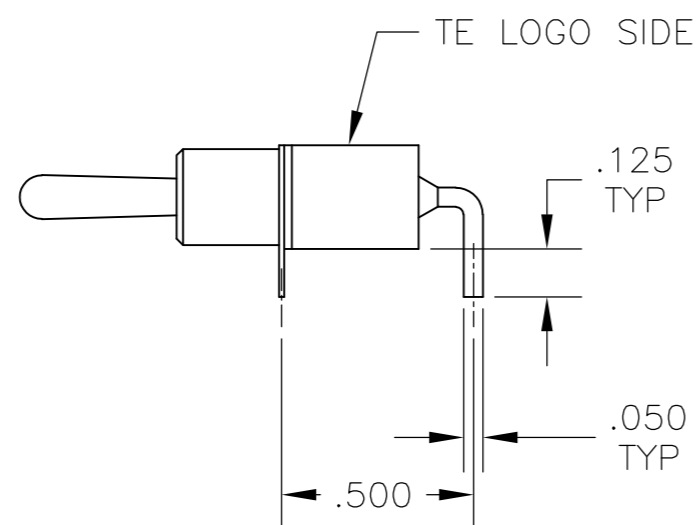
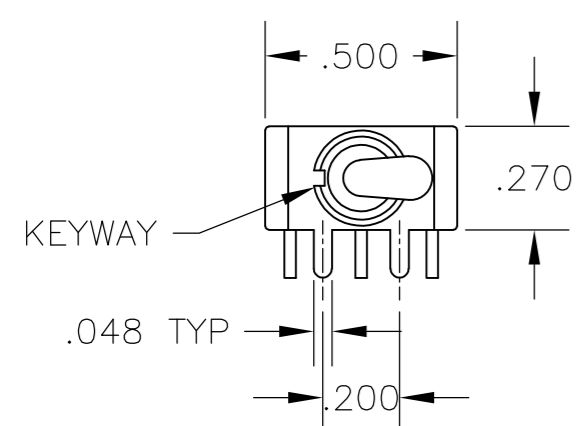
AV2 VERTICAL RIGHT ANGLE  $\triangle 5$



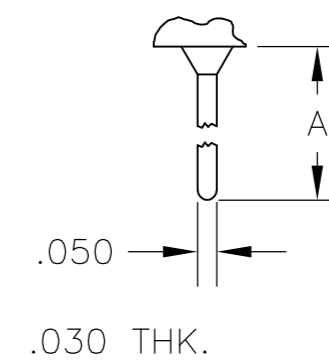
Z WIRE LUG



Z3 QUICK CONNECT

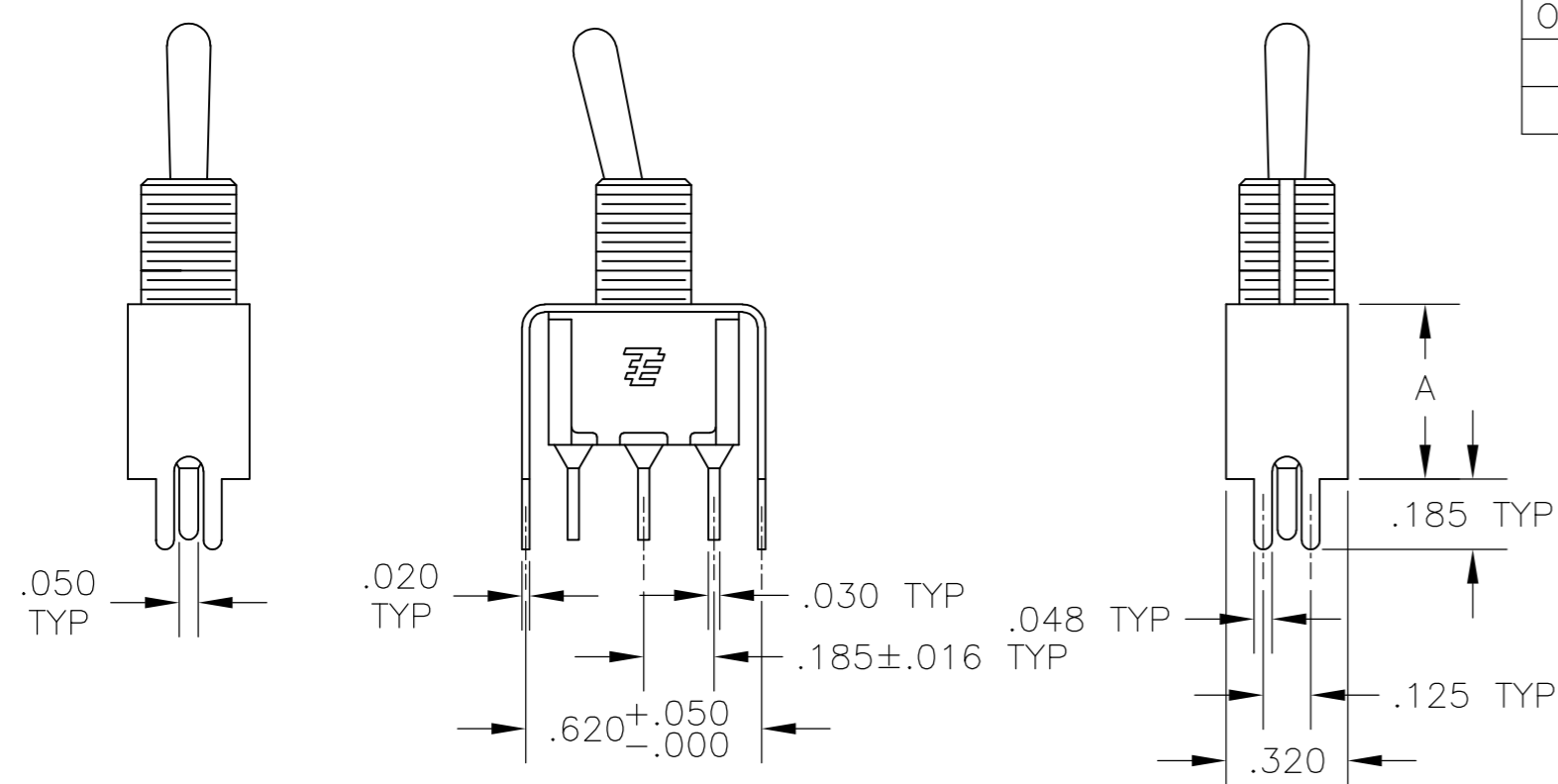


A RIGHT ANGLE  $\triangle 5$

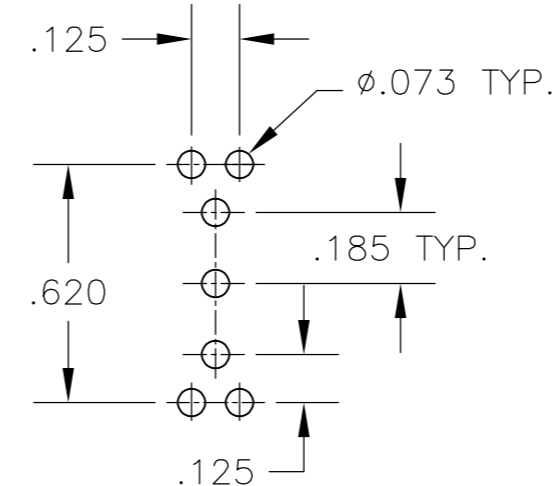


W W4 WIRE WRAP

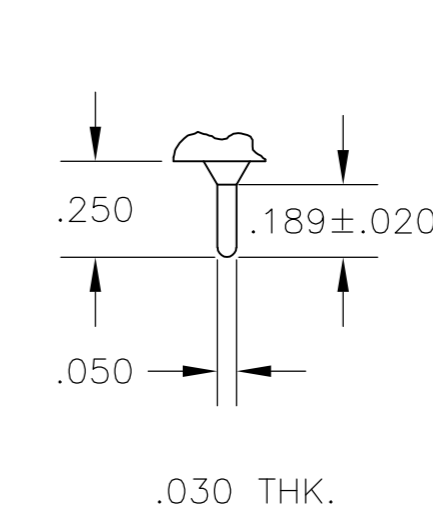
| OPTION | DIM A |
|--------|-------|
| W      | .736  |
| W4     | 1.062 |



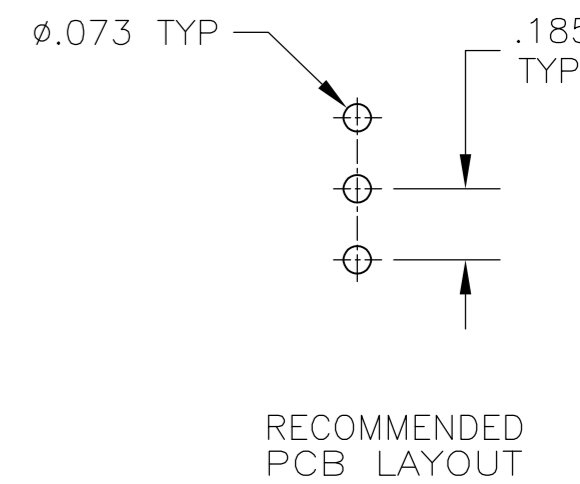
| OPTION | DIM A |
|--------|-------|
| V30    | .460  |
| V40    | .630  |



V30 V40  $\triangle 5$   
 VERTICAL SUPPORT BRACKET



C PRINTED CIRCUIT



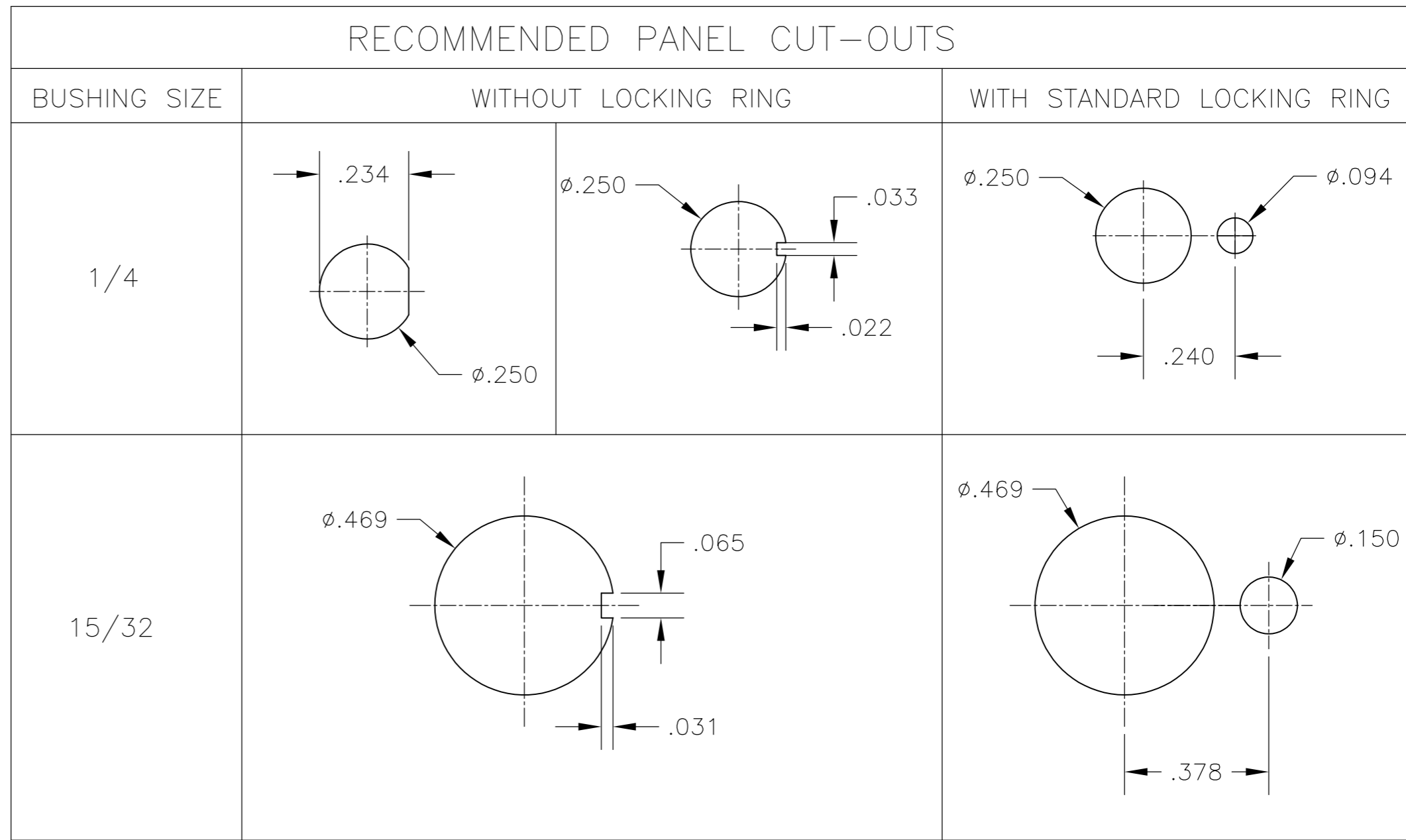
THIS DRAWING IS A CONTROLLED DOCUMENT.

|                    |  |                      |  |
|--------------------|--|----------------------|--|
| DIMENSIONS: INCHES | TOLERANCES UNLESS OTHERWISE SPECIFIED: | DWN M. ZITTO 18MAY05 | Tyco Electronics Corporation Harrisburg, Pa 17105-3608                                 |
|                    | 0 PLC ± -                              | CHK M. ZITTO         | NAME<br>GEMINI A SERIES TOGGLE SWITCH, SINGLE POLE, 3 POSITION FUNCTIONS (03, 05 & 07) |
|                    | 1 PLC ± -                              | APVD M. ZITTO        |  |
|                    | 2 PLC ± -                              | PRODUCT SPEC         |  |
|                    | 3 PLC ± .010                           | APPLICATION SPEC     |  |
| MATERIAL           | FINISH                                 | WEIGHT               | SIZE A2 CAGE CODE 00779 DRAWING NO C=1825137 RESTRICTED TO                             |
| CUSTOMER DRAWING   |  | SCALE 2:1            | SHEET 3 of 4 REV A2  |

THIS DRAWING IS UNPUBLISHED. RELEASED FOR PUBLICATION  
 © COPYRIGHT BY TYCO ELECTRONICS CORPORATION. ALL RIGHTS RESERVED.

|     |      |           |     |             |      |     |      |
|-----|------|-----------|-----|-------------|------|-----|------|
| LOC | DIST | REVISIONS |     |             |      |     |      |
| AD  | 00   | P         | LTR | DESCRIPTION | DATE | DWN | APVD |
|     |      | -         |     | SEE SHEET 1 | -    | -   | -    |

| Alco P/N      | TE P/N      |
|---------------|-------------|
| A103KZQ04     | 1825137-1   |
| A103MD9AB04   | 1825137-2   |
| A103MD9AG04   | 1825137-3   |
| A103MD9AQ04   | 1825137-4   |
| A103MD9AV2B04 | 1825137-5   |
| A103P3ZQ04    | 1825137-6   |
| A103SD9AQ04   | 1825137-7   |
| A103SD9AV2B04 | 1825137-8   |
| A103SD9AV2Q04 | 1825137-9   |
| A103SDCB04    | 1-1825137-0 |
| A103SDCQ04    | 1-1825137-1 |
| A103SDZQ04    | 1-1825137-2 |
| A103SYAQ04    | 1-1825137-3 |
| A103SYAV2Q04  | 1-1825137-4 |
| A103SYCB04    | 1-1825137-5 |
| A103SYCQ04    | 1-1825137-6 |
| A103SYWB04    | 1-1825137-7 |
| A103SYWQ04    | 1-1825137-8 |
| A103SYZB04    | 1-1825137-9 |
| A103SYZQ04    | 2-1825137-0 |
| A103T1CG04    | 2-1825137-1 |
| A103T1ZQ04    | 2-1825137-2 |
| A103TZQ04     | 2-1825137-3 |
| A105MD9AB04   | 2-1825137-4 |
| A105MD9AQ04   | 2-1825137-5 |
| A105MYV30Q04  | 2-1825137-6 |
| A105P3CG04    | 2-1825137-7 |
| A105P3CQ04    | 2-1825137-8 |
| A105P3ZQ04    | 2-1825137-9 |
| not assigned  | 3-1825137-0 |
| A105SD9AB04   | 3-1825137-1 |
| A105SD9AV2Q04 | 3-1825137-2 |
| A105SD9V30B04 | 3-1825137-3 |
| A105SYAB04    | 3-1825137-4 |
| A105SYAV2B04  | 3-1825137-5 |
| A105SYCB04    | 3-1825137-6 |
| A105SYCQ04    | 3-1825137-7 |
| A105SYZB04    | 3-1825137-8 |
| A105SYZQ04    | 3-1825137-9 |
| A105T1ZB04    | 4-1825137-0 |
| A105T1ZQ04    | 4-1825137-1 |
| A105TZQ04     | 4-1825137-2 |
| A107KAV2Q04   | 4-1825137-3 |
| A107KZB04     | 4-1825137-4 |
| A107MD9AV2B04 | 4-1825137-5 |
| A107MD9CQ04   | 4-1825137-6 |
| A107MD9V30Q04 | 4-1825137-7 |
| A107P3ZQ04    | 4-1825137-8 |
| A107SYAQ04    | 4-1825137-9 |
| A107SYCB04    | 5-1825137-0 |
| A107SYCQ04    | 5-1825137-1 |
| A107SYZQ04    | 5-1825137-2 |
| A107TZB04     | 5-1825137-3 |
| A105MD9AV2B   | 5-1825137-4 |



### MATERIALS CHART

| COMPONENT NAME         | BASE MATERIAL             | FINISH           |
|------------------------|---------------------------|------------------|
| CASE                   | DAP, RED, UL94 V-0        |                  |
| FRAME                  | STAINLESS STEEL           |                  |
| B TERMINALS & CONTACTS | COPPER                    | GOLD OVER NICKEL |
| G TERMINALS & CONTACTS | COPPER                    | GOLD OVER SILVER |
| Q TERMINALS & CONTACTS | COPPER                    | .000400 SILVER   |
| ACTUATOR               | PHENOLIC, BLACK, UL94 V-1 |                  |
| LEVER                  | BRASS                     | CHROME           |
| BUSHING                | BRASS                     | NICKEL           |
| SPRING                 | MUSIC WIRE                |                  |
| SUPPORT BRACKET        | BRASS                     | TIN              |
| PIVOT PIN              | STEEL                     | NICKEL           |
| LOCK WASHER            | STAINLESS STEEL           |                  |
| LOCKING RING           | STAINLESS STEEL           |                  |
| NUTS                   | C3604BD BRASS             | NICKEL           |
| TERMINAL SEAL          | EPOXY                     |                  |

|  |  |                  |          |   |               |
|--|--|------------------|----------|---|---------------|
| THIS DRAWING IS A CONTROLLED DOCUMENT. |  | DWN              | 18MAY05  | Tyco Electronics Corporation<br>Harrisburg, Pa 17105-3608                         |               |
| DIMENSIONS:<br>INCHES                  |  | CHK              | M. ZITTO | NAME  |               |
| TOLERANCES UNLESS OTHERWISE SPECIFIED: |  | APVD             | M. ZITTO | GEMINI A SERIES TOGGLE SWITCH, SINGLE POLE,<br>3 POSITION FUNCTIONS (03, 05 & 07) |               |
| 0 PLC ± -                              |  | PRODUCT SPEC     | -        | SIZE  | CAGE CODE     |
| 1 PLC ± -                              |  | APPLICATION SPEC | -        | A2  | 00779         |
| 2 PLC ± -                              |  | WEIGHT           | -        | DRAWING NO  | RESTRICTED TO |
| 3 PLC ± .010                           |  | CUSTOMER DRAWING | -        | C=1825137   | -             |
| 4 PLC ± -                              |  | SCALE            | 3:1      | SHEET   | 4 of 4        |
| ANGLES ± 2°                            |  | REV              | A2       |   |               |
| FINISH                                 |  |                  |          |   |               |