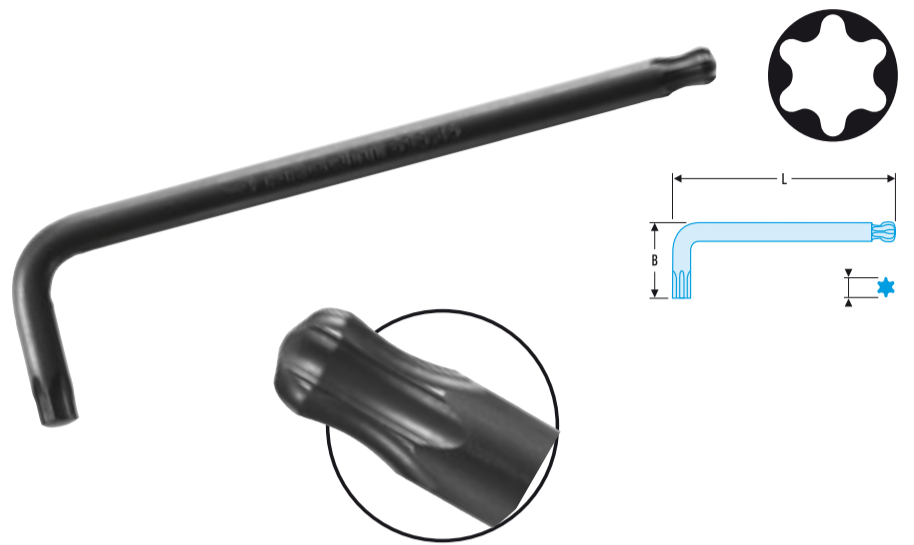


## Torx® keys

### 89S Long Torx® keys with spherical head

- Meets Torx® specifications.
- Spherical head provides a 20° working range for difficult-to-reach screws.
- Burnished finish.

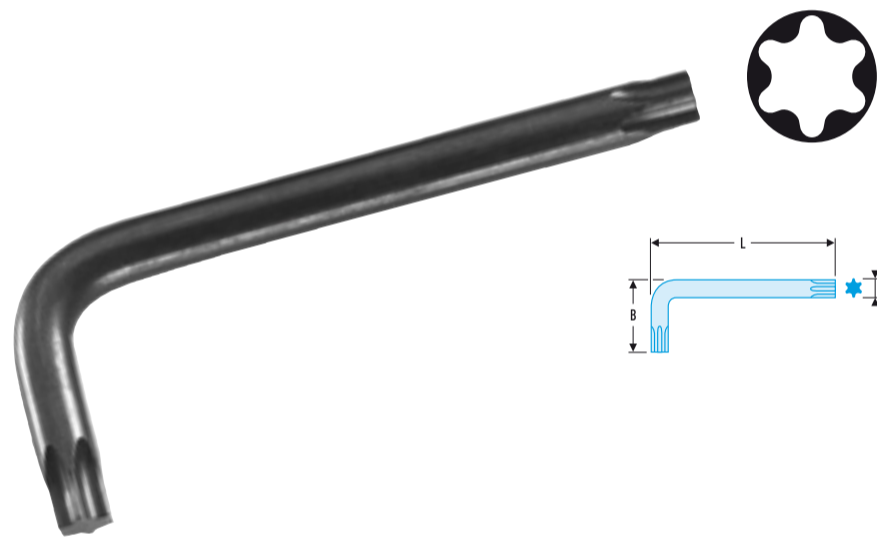
FO8	Torx® n°	I★ mm	B x L mm	ΔΔ g
<b>89S.15</b>	T15	3,26	21,0 x 93,0	8
<b>89S.20</b>	T20	3,84	23,0 x 99,0	10
<b>89S.25</b>	T25	4,40	24,5 x 104,5	18
<b>89S.27</b>	T27	4,96	26,0 x 110,0	23
<b>89S.30</b>	T30	5,49	30,0 x 120,5	30
<b>89S.40</b>	T40	6,60	32,5 x 131,5	45
<b>89S.45</b>	T45	7,77	37,0 x 138,0	63



### 89 Short Torx® keys

- Meets Torx® specifications.
- Burnished finish.

FO8	Torx® n°	I★ mm	B x L mm	ΔΔ g
<b>89.6</b>	T6	1,65	18 x 51	3
<b>89.7</b>	T7	1,97	18 x 51,5	3
<b>89.8</b>	T8	2,30	18 x 51,5	3
<b>89.9</b>	T9	2,48	19,5 x 51,5	4
<b>89.10</b>	T10	2,72	19,5 x 53	4
<b>89.15</b>	T15	3,26	21,5 x 57	6
<b>89.20</b>	T20	3,84	24 x 61	8
<b>89.25</b>	T25	4,40	25,5 x 63,5	11
<b>89.27</b>	T27	4,96	27 x 67,5	16
<b>89.30</b>	T30	5,49	30 x 76	20
<b>89.40</b>	T40	6,60	34 x 83,5	31
<b>89.45</b>	T45	7,77	37 x 88,5	43
<b>89.50</b>	T50	8,79	41 x 106	62
<b>89.55</b>	T55	11,17	48 x 121	70



### 89R Short Resistorx® keys

- Meets Resistorx® specifications.
- For safety fasteners.
- Burnished finish.

FO8	Torx® n°	I★ mm	B x L mm	ΔΔ g
<b>89R.10</b>	T10	2,72	20 x 54	4
<b>89R.15</b>	T15	3,26	21 x 57	6
<b>89R.20</b>	T20	3,84	24 x 61	8
<b>89R.25</b>	T25	4,40	25 x 65	11
<b>89R.30</b>	T30	5,49	30 x 76	20
<b>89R.40</b>	T40	6,60	33 x 83	31

