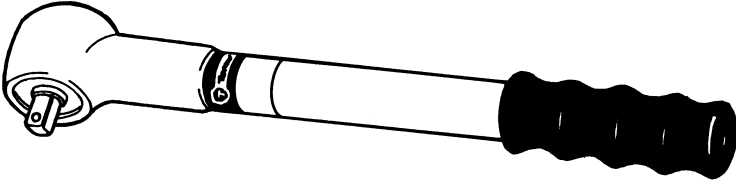
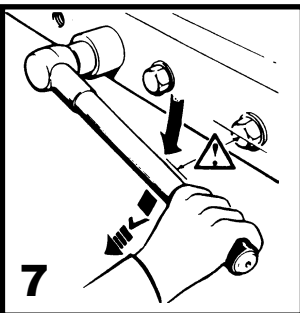
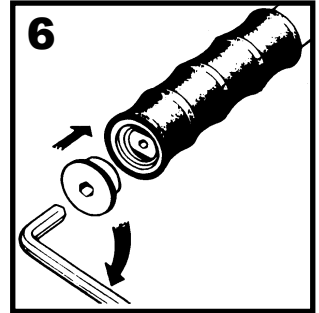
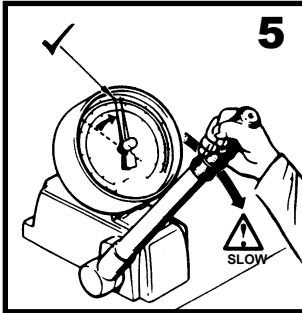
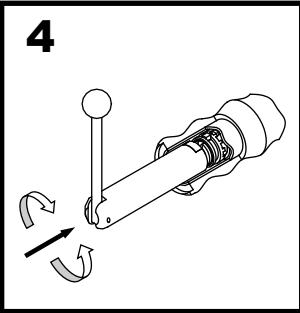
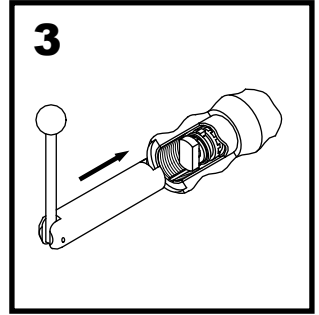
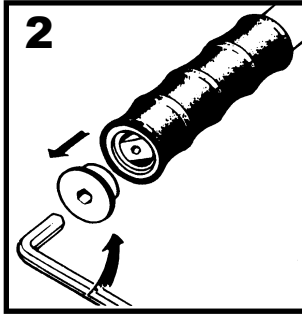
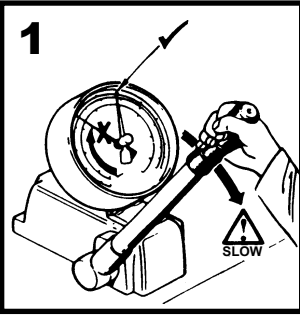


'TORQUE SAFE' SLIPPER WRENCHES

P16980



CLES DYNAMOMETRIQUES A DECLENCHEMENT TOTAL 'TORQUE SAFE'
 'TORQUE SLIPPER SICHERHEITS-DREHMOMENT SCHÜSSEL'
 'PAR DE SEGURIDAD' LLAVES POR DESLIZAMIENTO
 CHIAVI DINAMOMETRICHE A SLITTAMENTO 'TORQUE SAFE'
 MOMENTNYCKEL MED SLIRKOPPLING
 'TORQUE-SAFE' - SLIP-MOMENTSLEUTEL
 離合器式扭力扳手

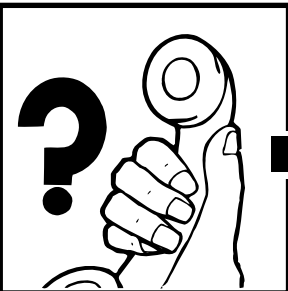
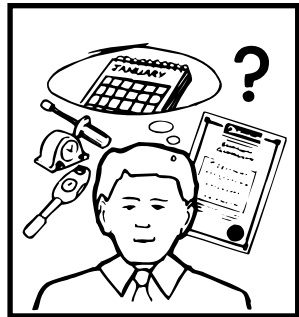
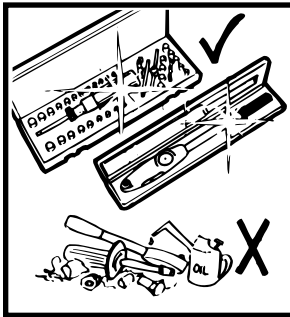
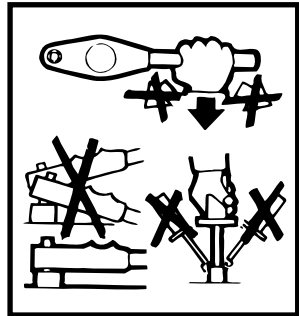
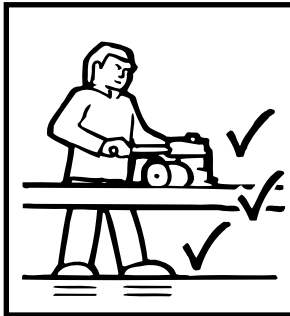


- ✓ = REQUIRED TORQUE SETTING
- ✓ = VALEUR DU COUPLE SOUHAITEE
- ✓ = GEWÜNSCHTE DREHMOMENT-EINSTELLUNG
- ✓ = AJUSTE DEL PAR REQUERIDO
- ✓ = COPPIA DI TARATURA RICHIESTA
- ✓ = MOMENTINSTÄLLNING
- ✓ = VOORGESCHREVEN MOMENTINSTELLING
- ✓ = 需要扭力設定

GENERAL INSTRUCTIONS

INSTRUCTIONS GENERALES
ALLGEMEINE ANWEISUNGEN
INSTRUCCIONES GENERALES
ISTRUZIONI
ALLMANNA INSTRUKTIONER
ALGEMENE INSTRUCITIE

綜合概論



MHH ENGINEERING Co. Ltd.

Bramley, Guildford,
Surrey GU5 0AJ, England

 ** (0)1483 892772

 ** (0)1483 898555

WWW.Torqueleader.com