

Using the 9206 USB Plug-in Card:

This product provides an interface for 'Standalone' Atmel QTouch™ evaluation kits (such as EVK1060A) to PC-based applications through a USB port, using I2C-compatible communications.

Details of supported products can be found at www.atmel.com/9206

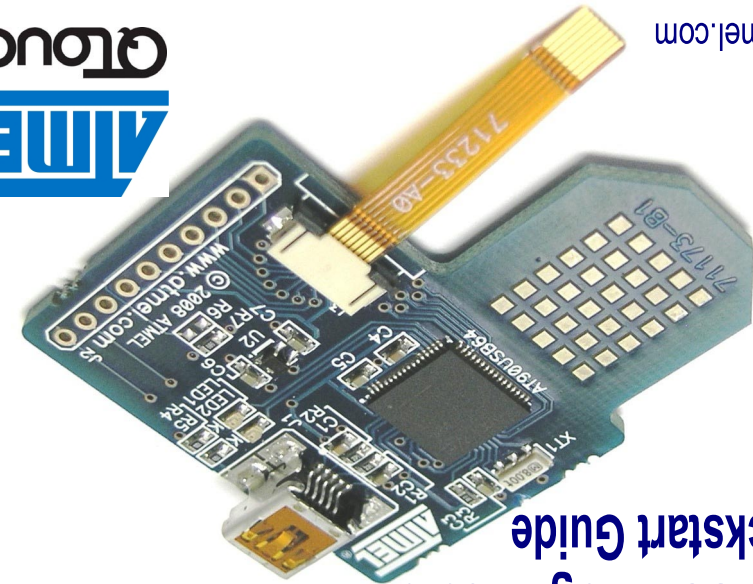
Select your required evaluation kit and you will be redirected to the Application Note (detailing how to connect the USB Plug-in Card to the evaluation kit), PC Software and User Guide.

The USB plug-in card is used to supply external power to the evaluation kits (rather than using the battery) and to prevent possible damage through cross-powering of external and battery power some modifications to the evaluation boards are required, as well as removal of the battery. See the related Application Note for each evaluation kit.

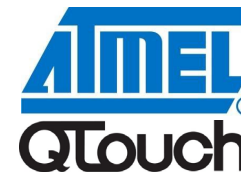
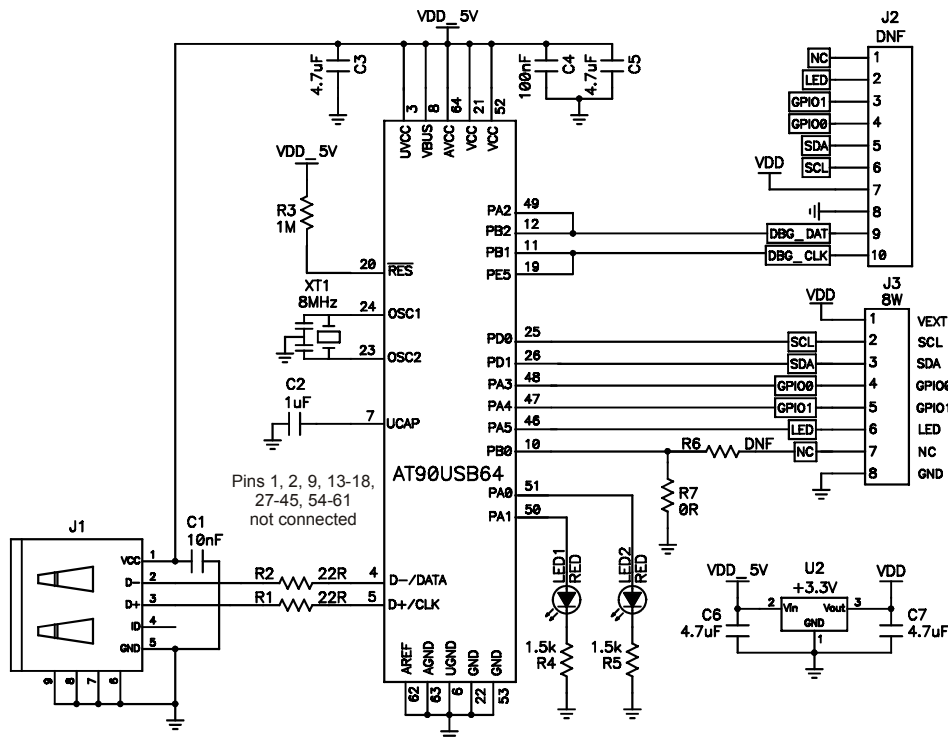
The flex cable 71233-A0 is not required for some evaluation kits and should be removed from J3 when connecting to those kits.



www.atmel.com



9206 USB Plug-in Card Quickstart Guide



1x 9206 USBPlugInCard	Serial Number:
Packed By:	Date:

Touch Technology Division

1 Mitchell Point
 Ensign Way, Hamble
 Southampton SO31 4RF
 United Kingdom
 Tel: +44 (0)23 8056 5600
 Fax: +44 (0)23 8045 3939

© 2008, 2009 Atmel Corporation
 All rights reserved
www.atmel.com
touch@atmel.com
 REV 100.0709

