

Preparation of compressed air → Maintenance units and components

3/2-shut-off valve, mechanically operated, Series NL4-BAV

▶ G 3/8 - G 3/4 ▶ ATEX certified



00106897

ATEX
VersionControl element
Sealing principle
Working pressure min./max.
Ambient temperature min./max.
Medium temperature min./max.
MediumMaterials:
Housing
Seals
Control element
Front coverII 2G2D X
Ball valve
with padlock
lockable
rotary switch
metal/metal sealing
0 bar / 16 bar
-10°C / +60°C
-10°C / +60°C
Compressed airDie cast zinc
Acrylonitrile Butadiene Rubber
Polyoxymethylene
Acrylonitrile butadiene styrene**Technical Remarks**

- The pressure dew point must be at least 15 °C under ambient and medium temperature and may not exceed 3 °C.

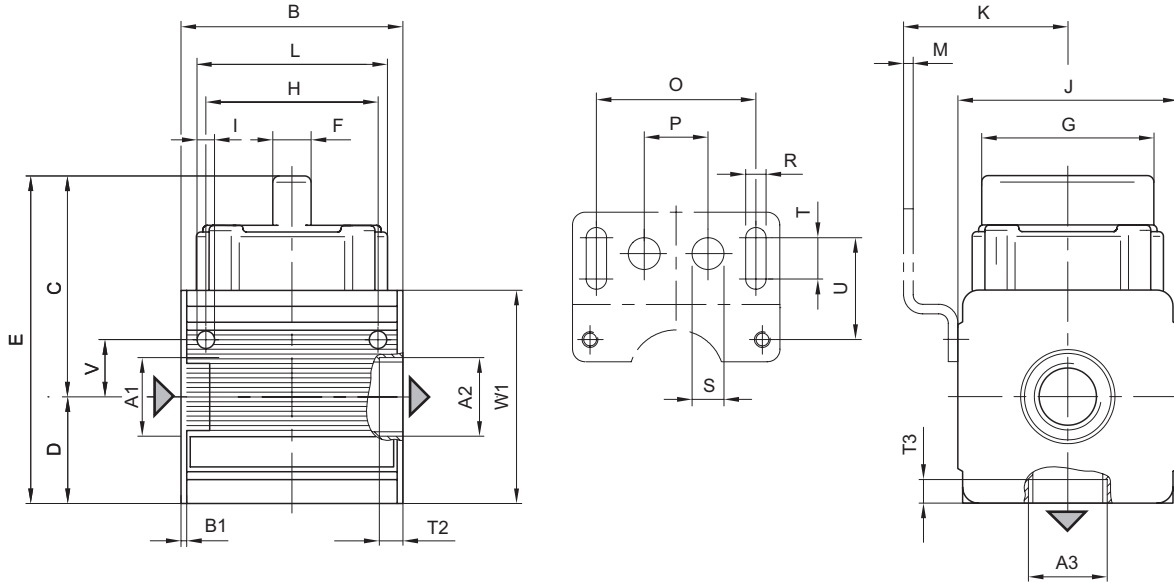
	Port	Exhaust	Qn		Weight	Part No.
			1▶2	2▶3		
			[l/min]			
	G 3/8	G 1/2	11000	110	0.82	0821300912
	G 1/2					0821300911
	G 3/4					0821300913

nominal flow Qn with secondary pressure 6 bar at $\Delta p = 1$ bar

Preparation of compressed air → Maintenance units and components

3/2-shut-off valve, mechanically operated, Series NL4-BAV

▶ G 3/8 - G 3/4 ▶ ATEX certified

Dimensions

00108170

A1 = input
 A2 = output
 A3 = ventilation port

A1	A2	A3	B	B1	C	D	E	F	H	G	I	J	K
G 3/8	G 3/8	G 1/2	69.6	1.8	69.5	33.5	103	12	54	60	5.5	69	54.5
G 1/2	G 1/2	G 1/2	69.6	1.8	69.5	33.5	103	12	54	60	5.5	69	54.5
G 3/4	G 3/4	G 1/2	69.6	1.8	69.5	33.5	103	12	54	60	5.5	69	54.5
A1	L	M	O	P	R	S	T	T2	T3	U	V	W1	
G 3/8	60	3	50	20	6.4	10	13	10.5	10.5	33	18	67	
G 1/2	60	3	38	20	6.4	10	13	10.5	10.5	33	18	67	
G 3/4	60	3	50	20	6.4	10	13	10.5	10.5	33	18	67	