

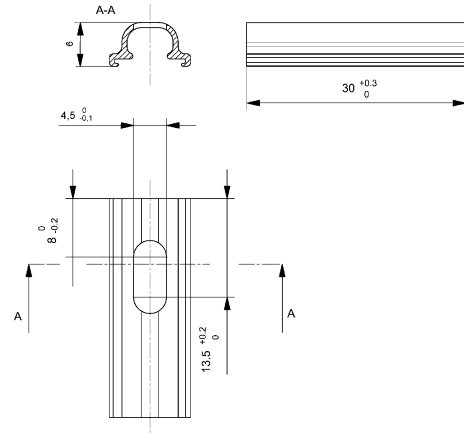
Sensor technologies → Proximity sensors

Sensor mounting

► clamping piece ► for Sensor Series ST6 ► to mount on cylinder series OCT, series PRE



5283003514



D528\_351

Part No.	Material	Weight [kg]	Delivery quantity [Piece]						
<b>5283003512</b>	Aluminum	0.005	1						
<b>5283003532</b>	Aluminum	0.005	10						