
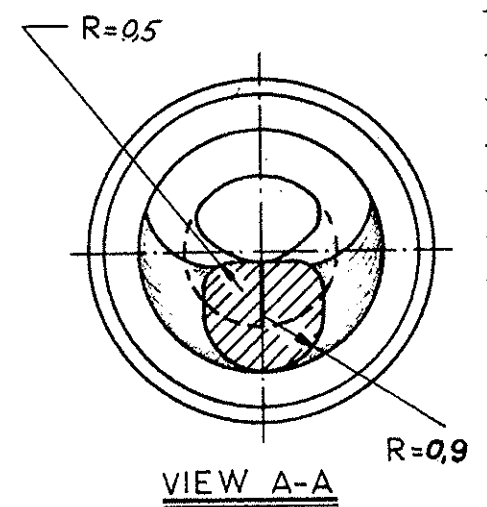
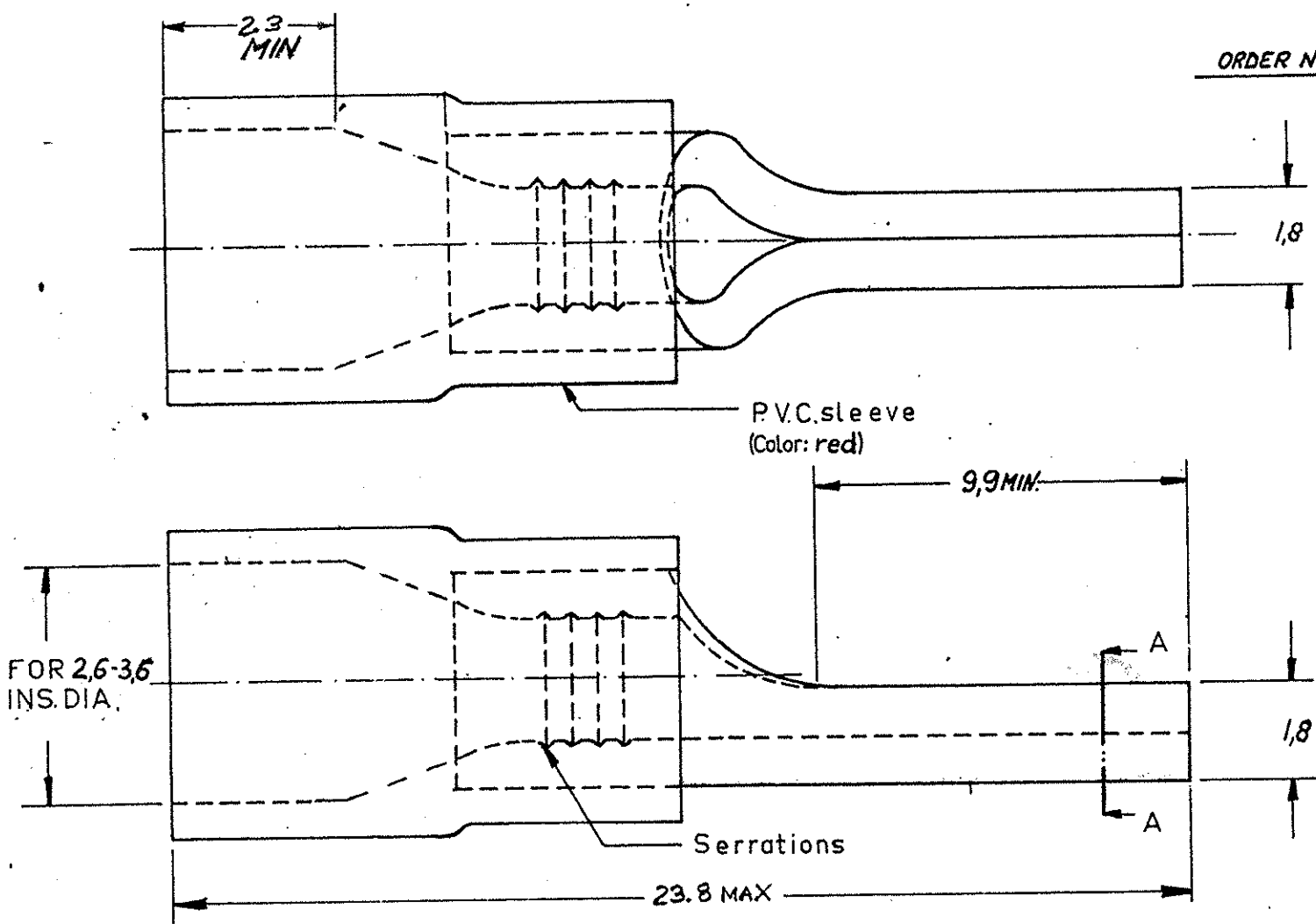


DIMENSIONS IN mm — DO NOT SCALE PRINT

NUMBER  
**C-165167-E**

ORDER № 165167


<b>AMP</b> WIRE RANGE	 FILE E3288
0.25-1.6mm <sup>2</sup> STRANDED	0.25-1.6mm <sup>2</sup> STRANDED



FOR 2,6-3,6  
INS. DIA.

**CUSTOMER PRINT  
FOR REFERENCE ONLY**

©1965 BY **AMP Holland N.V.** ALL RIGHTS RESERVED. A-MP PRODUCTS COVERED BY PATENTS AND/OR PATENTS PENDING.

-9	-8	-7	-6	-5	-4	-3	-2	-1	DWG SIZE	NUMBER	NAME	REMARKS	ITEM NO.
										<b>E-Copper</b>	HEAT TREAT	FINISH	
											DR. <i>Arnold 4-2-65</i>	tinplated	
										AMP-HOLLAND N.V. 1-HERTOGENBOSCH HOLLAND	DATE APP.	DATE REL	DATE
										TYPE	DATE APP.	DATE FIRST USED	
										P.G.			
										SCALE	LOC	SIZE	NUMBER
										8:1	<b>H</b>	<b>A</b>	<b>C-165167-E</b>
										WIRE SIZE	CMA	NAME	REV
										0.25-1.6 mm <sup>2</sup>	MIN. <i>[initials]</i>	<b>WIRE PIN</b>	<b>B</b>
DESCRIPTION													