

29

29 Telephone Pliers without side cutter

DIN ISO 5745

- ▶ gripping surfaces cross cut
- ▶ Chrome Vanadium electric steel, oil-hardened and tempered



29 11 160



Style 1: flat, wide jaws



29 25 160



Style 2: half-round jaws

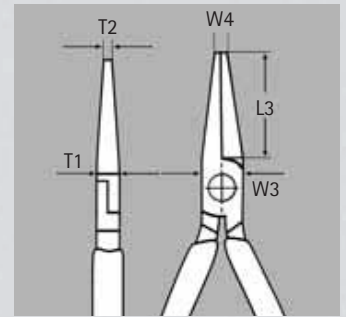
Style 1:

- ▶ flat, wide jaws

Style 2:

- ▶ half-round jaws
- ▶ extra slim, fine tips; also suitable for soldering work

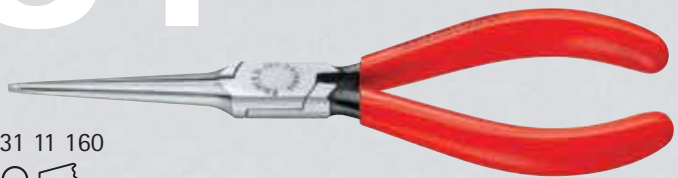
Article-No.	EAN-	Style	Head	Handles	Dimensions					g
					L3	W3	T1	W4	T2	
Length Code					mm	mm	mm	mm	mm	
mm 4003773-										
29 11 160	016175	1	polished	plastic coated	55.0	14.0	8.0	2.5	8.5	110
29 21 160	016199	1	polished	plastic coated	54.0	14.0	9.0	2.0	2.0	120
29 25 160	043478	2	chrome plated	with two-colour dual component handles	54.0	14.0	9.0	2.0	2.0	145



31

31 Grab Pliers, Needle Nose Pliers

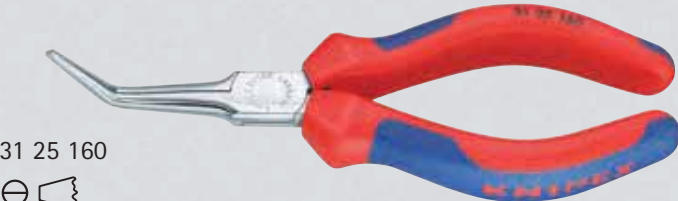
- ▶ precision pliers for very exact assembly, bending and adjusting work
- ▶ with extra long jaws: length of jaws 55.0 mm
- ▶ smooth ground gripping surfaces
- ▶ edges carefully deburred
- ▶ Chrome Vanadium electric steel, oil-hardened and tempered



31 11 160



Style 1: straight jaws



31 25 160



Style 2: 45° bent jaws

Style 1:

- ▶ straight jaws

Style 2:

- ▶ 45° bent jaws

Article-No.	EAN-	Style	Head	Handles	Dimensions					g
					L3	W3	T1	W4	T2	
Length Code					mm	mm	mm	mm	mm	
mm 4003773-										
31 11 160	016441	1	polished	plastic coated	55.0	15.0	7.5	2.0	2.5	100
31 15 160	016465	1	chrome plated	with two-colour dual component handles	55.0	15.0	7.5	2.0	2.5	120
31 21 160	013075	2	polished	plastic coated	55.0	15.0	7.5	2.0	2.5	100
31 25 160	016489	2	chrome plated	with two-colour dual component handles	55.0	15.0	7.5	2.0	2.5	120

