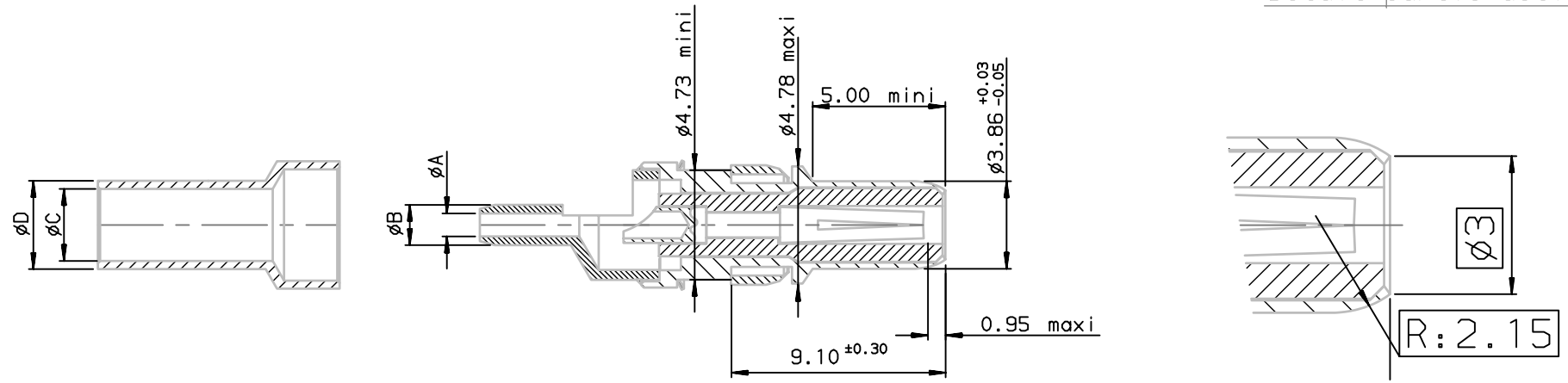


Detail partie active



ELECTRICAL CHARACTERISTICS

- Impedance: 500HMS
- Working frequency: 1GHz max
- Dielectric with standing voltage: 600V
- Insulation resistance 5000: 14 OHMS
- Contact resistance  $\leq 5$  m OHMS
- Insertion Loss:  $\leq 0.2$  dB

MECHANICAL CHARACTERISTICS

- Mating force per set of contact 0.4 N to 9 N
- Mating endurance 500
- Temperature -55° to +125 °C

TOOLING

- Coaxial contact extraction tool 8630-07A

DM537403NCLF	Ct coax male sortie droite	2.75	4.00	4.40	5.45	RG 180 BU
DM53740NCLF	Ct coax male sortie droite	1.00	1.75	2.32	3.20	RG 178 BU
DM537401NCLF	Ct coax male sortie droite	1.70	2.46	3.13	3.84	RG 179 BU
Ref contact	Designation	$\phi A^{+0.10}_0$	$\phi B^{\pm 0.05}$	$\phi C^{+0.10}_0$	$\phi D^{\pm 0.10}$	Ref cable

European Views

www.fciconnect.com		surface ISO 1302	tolerance std ISO 406 ISO 1101	projection mm	size A3	Scale 5
Dr: PESSON 2005/10/14		TOLERANCES UNLESS OTHERWISE SPECIFIED		ANGULAR	ECN	LS07-0001
Eng: PESSON 2005/10/14		0.X	$\pm 0.1$	LINEAR	size	Scale
Chr: LEGARE 2005/10/14		0.XX	$\pm 0.1$	0.XX' $\pm 2'$	ECN	LS07-0001
Appr: LEGARE 2005/10/14		0.XXX	$\pm 0.1$	Product family	D-SUB	Spec ref -
FCI		MALE COAX CONTACT STRAIGHT		C01-8639-2153		Rev. C
title		CRIMP TO CABLE		catalog no		CUSTOMER sheet 1 of 1

**NOTE:RoHS INFORMATIONS**

- The "LF" product meets European union Directives and other country regulations as described in 65-22-008.
- The product is not intended to be exposed to a manufacturing solder process.
- Packaging spec: see 65-14-920.

rev	ecn no	dr	date
A	LS05-0086	MPE	2005/10/14
B	LS05-0107	MPE	2005/12/20
C	LS07-0001	LGO	2007/01/09
-	-	-	-
-	-	-	-
-	-	-	-



Copyright FCI.