

SYSTEM ZERO™

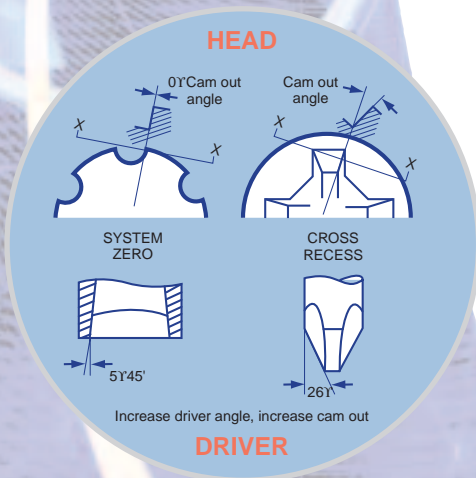
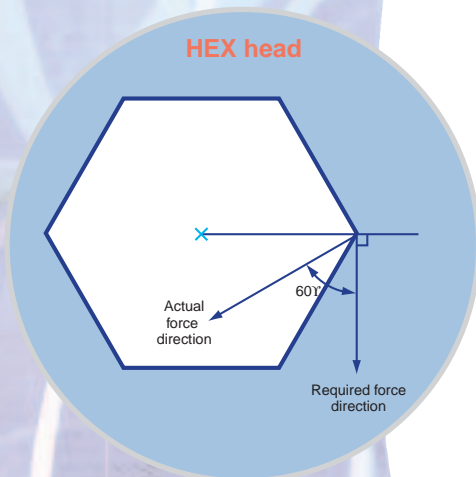
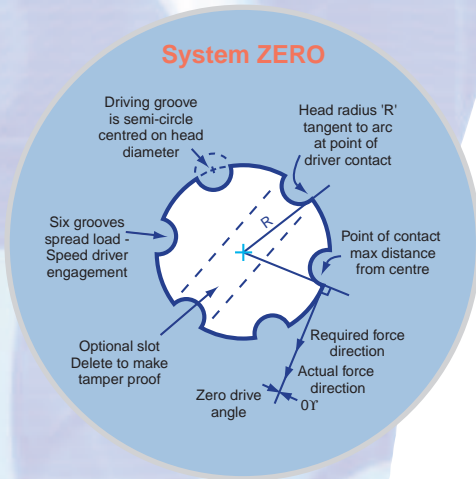
For Extra Driveability and Security

Tamper proof screws ideal for security situations



SYSTEM  ZERO

Extra Driveability & Security



System Zero is a tamper resistant, external drive range of screws, available in steel and stainless steel in sizes from M3 to M8 machine and No.2 to No.14 self tapping.

The unique head-style requires a dedicated driver for installation and subsequent, authorised removal. In combination with the driver the head design gives high torque transmission, which in turn generates high clamp loads.

These features make System Zero the number one choice where security is an issue.

System Zero Benefits

- Fit and forget
- Virtually 100% security without associated removal tool
- High torque acceptance without 'cam-out'
- Non-slip external drive.

System Zero Is Specified By Engineers and Designers For Its Unique Blend Of Features

- Effective tamper-resistant design
- Robust performance
- External drive
- High clamp load
- Exceptional drive capabilities
- Range of thread styles available.

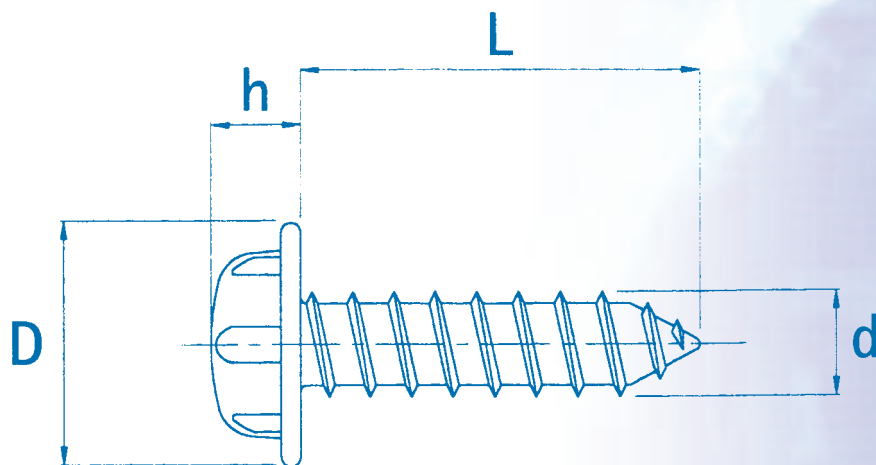
Internal drive screws have a weakness of 'cam out' as increased torque is applied, resulting in slippage, potential damage to the components to be fastened and variable clamp load.

System Zero's unique external drive greatly reduces the chance of slippage and resulting damage, while achieving a high clamp load.

Because it is robust, it is ideal for the high performance requirements associated with security.

When System Zero screws are recessed in a component, it is virtually impossible to remove them without an associated driver.

System Zero screws are available in a variety of thread styles.



System Zero's tamper proof head.

System Zero Data

Size	Thread Major Diameter 'd'	Driver Reference	Nom. Flange Diameter 'D'	Head Height Inc. Flange 'h'	Outside Dia. of Driver
Machine Screws					
Metric					
M2	2.0	ZE2	4.5	1.9	5.0
M2.5	2.5	ZE3	5.5	2.5	6.4
M3	3.0	ZE3	6.0	2.5	6.4
M3.5	3.5	ZE4	7.4	3.0	9.0
M4	4.0	ZE4	8.0	3.2	9.0
M5	5.0	ZE5	10.0	3.7	11.0
M6	6.0	ZE6	12.0	4.2	13.0
M8	8.0	ZE8	16.0	5.8	17.0
M10	10.0	ZE8	16.0	5.8	17.0
UNC/UNF					
4	2.9	ZE3	5.5	2.5	6.4
6	3.6	ZE4	7.4	3.0	9.0
8	4.2	ZE4	8.2	3.2	9.0
10	4.9	ZE5	9.5	3.6	11.0
12	5.5	ZE6	10.8	4.2	13.0
1/4"	6.4	ZE6	12.5	4.3	13.0
5/16"	8.0	ZE8	15.6	5.8	17.0
Self Tapping Screws					
No 2	2.3	ZE2	4.5	1.9	5.0
No 4	2.9	ZE3	5.5	2.5	6.4
No 6	3.6	ZE4	7.4	3.0	9.0
No 8	4.3	ZE4	8.2	3.2	9.0
No 10	4.8	ZE5	9.5	3.6	11.0
No 12	5.5	ZE6	10.8	4.2	13.0
No 14	6.3	ZE6	12.5	4.3	13.0

All dimensions are in mm which are nominal



Associated driver is required for authorised removal.



System Zero screws are available in a variety of thread styles.