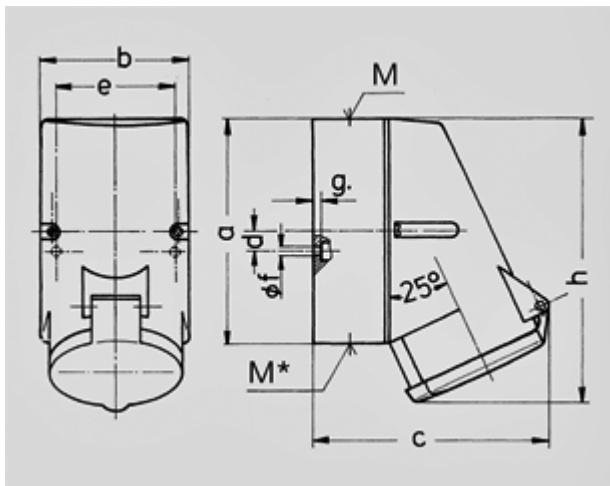


**Wall mounted receptacle - Part no. 734**


- screw terminals
- with highly heat resistant contact carrier
- nickel plated contacts
- internal fixing
- one cable entry at the top, two blind entries (can be cut out) at the bottom
- enclosure base can be turned 180°
- receptacles are designed for adding an auxiliary contact switch

Protection type	IP 44
Ampere	16A
Poles	7p
Voltage	400V
Hertz	50-60 Hz
Earth position	6h
Contact	nickel plated contacts, highly heat resistant contact carrier
Connection technology	Screw terminals

Std. Pack. 10 Qty.



Drawing	Amp.	16	32
1 MB 257	Poles	7	7
Dim. in mm	a	128	128
	b	84	84
	c	124	138
	d	11	11
	e	68	68
	f	5,3	5,3
	g	4	4
	h	145	160
	M	25	32
	M*	(blind) to be cut out 2x25	(blind) to be cut out 2x25
	Max. cable diam. (mm)	18	25
	Terminal for cond. cross section (mm <sup>2</sup> ) min.-max.	1,5 —4	2,5 —10