

Stacked coin Type

Series: SG

Country of Origin

- Feature Endurance : 70°C 1000 h
Maximum height of 6 mm (H Terminal)
RoHS directive compliant

Japan

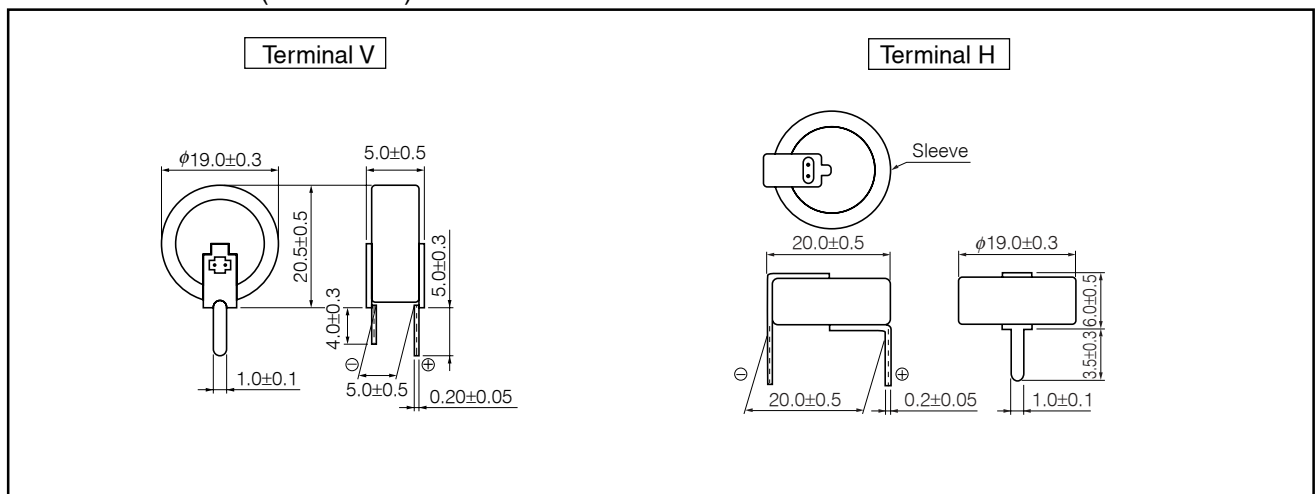


- Recommended Applications
Memory back-up for video and audio equipment,
cameras, telephones, printers, data terminals,
rice cookers and intelligent remote controls.

■ Specifications

| | | |
|------------------------------------|--|---|
| Category temp. range | -25 to +70°C | |
| Maximum Operating Voltage | 5.5 V .DC | |
| Nominal Cap. Range | 0.47 to 1.5 F | |
| Characteristics at Low Temperature | Capacitance change | ±30% of initial measured value at +20°C (-25 to +70°C) |
| | Internal resistance | ≤ 5 times of initial measured value at +20°C (at -25°C) |
| Endurance | After 1000 hours application of 5.5V. DC at +70°C, the capacitor shall meet the following limits. | |
| | Capacitance change | ±30% of initial measured value |
| | Internal resistance | ≤ 4 times of initial specified value |
| Shelf Life | After 1000 hours storage at +70°C without load, the capacitor shall meet the specified limits for Endurance. | |
| Moisture Resistance | After 500 hours storage at +55°C, 90 to 95% R.H., the capacitor shall meet the specified limits for Endurance. | |

■ Dimensions in mm (not to scale)



■ Standard Products

| Maximum Operating Voltage | Capacitance (F) | Capacitance range (F) | Internal resistance (Ω) at 1kHz | Part number | Min. Packaging Qty (PCS) |
|---------------------------|-----------------|-----------------------|---------------------------------|---------------|--------------------------|
| 5.5 | 0.47 | 0.376 to 1.41 | ≤ 30 | EECS5R5()474 | 100 |
| | 1.0 | 0.80 to 1.80 | ≤ 30 | EECS5R5()105 | 100 |
| | 1.5 | 1.20 to 2.70 | ≤ 30 | EECS5R5()155 | 100 |

() Please use V or H, to indicate the terminal style.

Note: Do not use reflow soldering. (IR, Atmosphere heating methods, etc.)