

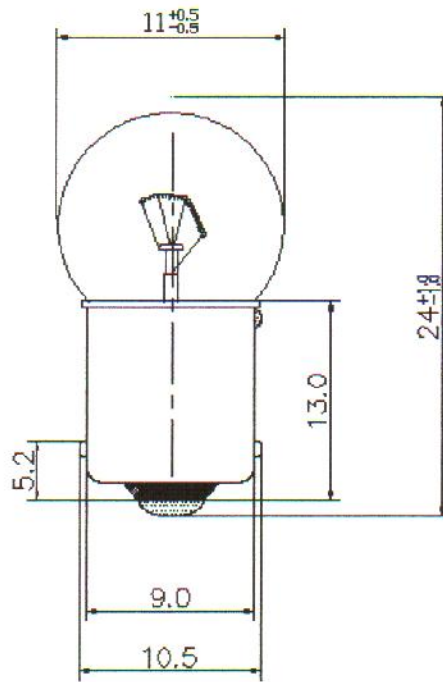


SPECIFICATION SHEET

RS Stock No.

104907

DRAWING - I



Unit : mm

1. Structure	Bulb Type	G3 1/2 Clear
	Bulb Diameter	$\varnothing 11.5$ Max.
	Length	25.0Max
	Base Type	Ba9s.
2. Design Characteristics	Voltage	24V
	Amperage	$116\text{mA} \pm 10\%$
	Filament Type	Vacuum type
	Luminous Flux	$12\text{Lm} \pm 20\%$
	Life Hours	4,000Hrs