

APEM

8000 series

Ruggedized switch joysticks



The 8000 Series is a family of rugged switch joysticks. Based on the proven mechanics of the 9000 Series, the 8000 Series utilizes high quality microswitches to provide a range of possible outputs, including the option of progressive switching on a single axis for dual speed control.



KEY FEATURES

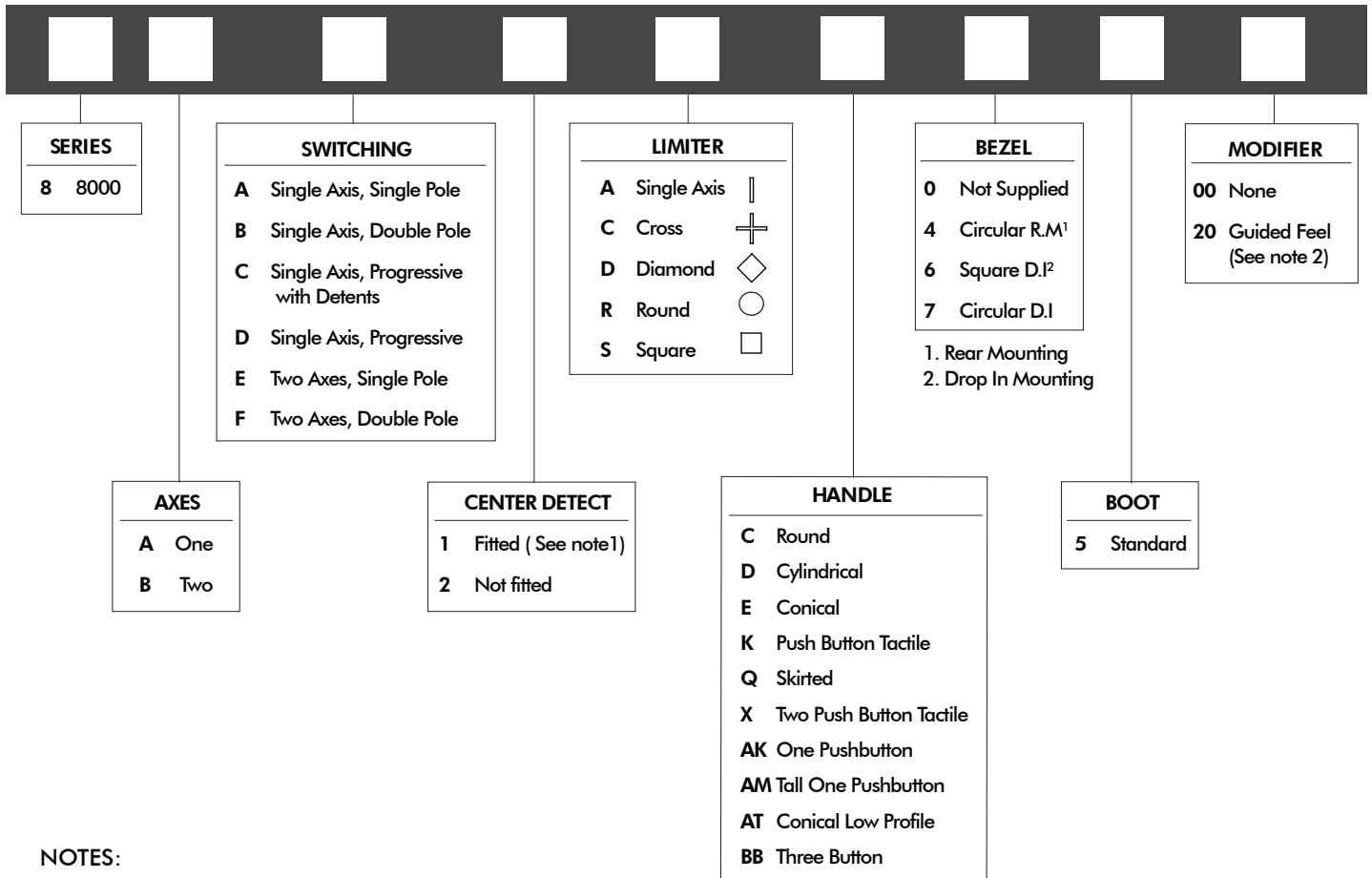
- One or two axes
- Optional center detect microswitch
- Wide range of handle options
- Up to 1AMP operation
- Gold plated contacts
- Single step or progressive switching



8000 series

Ruggedized switch joysticks

OPTION SELECTION



NOTES:

1. The additional center detect switch is not available on joysticks with progressive switching.
 2. Guided feel is only available on two axes joysticks.
- Further non-standard options including custom handles, special limiters and detents are available. Please refer to the factory.
3. Only a square limiter will allow sufficient travel in a diagonal direction to activate both speed and steer switches.

BEZEL OPTIONS

For drop in mounting, please specify bezel option 6 or 7. For sub-panel mounting, no bezel is necessary, unless the boot is required to seal to the front face of the panel in which case option 4 should be specified. Bezels 6 & 7 clamp the boot and top face of the joystick body to the panel when bezel 4 clamp only the boot.

SPRINGING

As standard 8000 Series are offered sprung to center. The standard spring force requires 1.3N (nominally) to off-center the joystick. The 8000 Series may be specified with a lighter spring (1N), or a stronger spring (1.6N)
Note: Forces quoted are subject to exact joystick configuration and are provided as a guide only.

SPECIFICATIONS

| | | | |
|------------------------|-------------------------------------|-------------------|---------------------------------|
| Mechanical Life Cycles | : > 1 Million Mechanical Operations | Maximum Voltage | : 125 VAC |
| Current Rating | : To 1A | Switch Contacts | : Gold Plated |
| Weight | : 90 grams (0.20lbs) | Above Panel Seal | : IP65 |
| Operating Deflection | : +/-18° | Body Material | : Glass Reinforced ABS |
| Shaft Diameter | : 5 mm (0.20in) | Gimbal Pivot | : Acetal & Hardened Steel |
| Shaft Material | : Stainless Steel | Other Materials | : Brass, Acetal, Nylon |
| Boot | : Neoprene | Temperature Range | : -25°C to 80°C (-13°F to 76°F) |

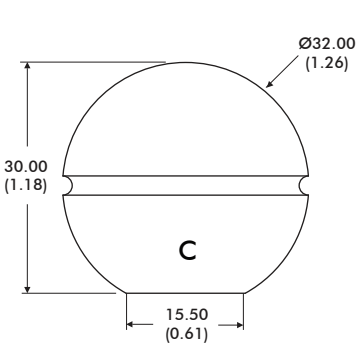
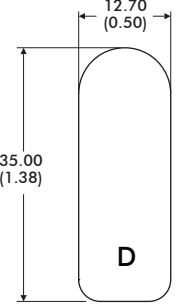
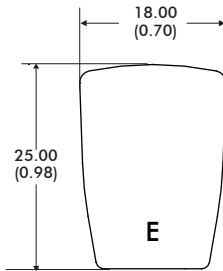
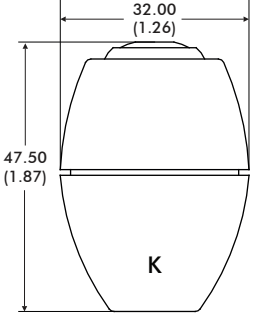
1. Life and reliability of the switches is heavily determined by the type of application and parameters such as load. The Technical Support team will provide further advice about the expected switch performance under differing loads or DC supplies.

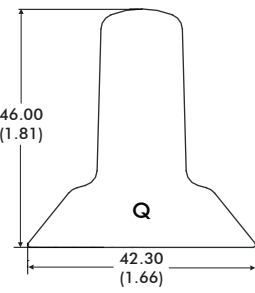
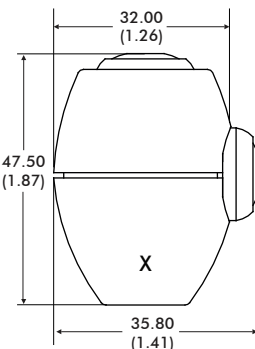
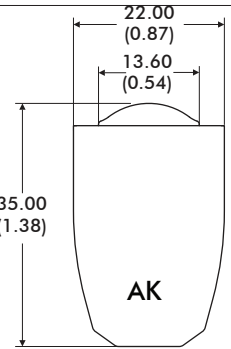
Note: The company reserves the right to change specifications without notice.

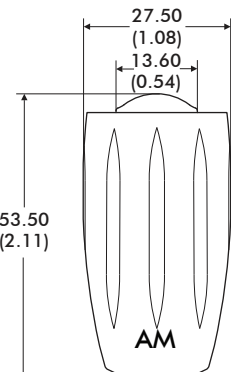
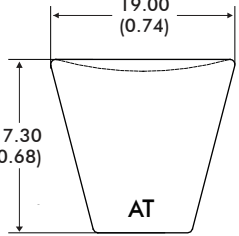
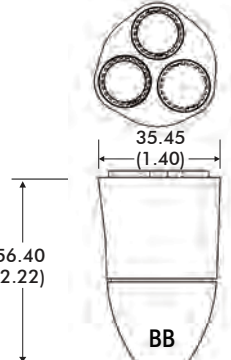
8000 series

Ruggedized switch joysticks

DIMENSIONAL DRAWINGS - HANDLES

| | | | |
|---|--|--|---|
|  <p>C</p> |  <p>D</p> |  <p>E</p> |  <p>K</p> |
| <p>MATERIAL Phenolic FINISH Gloss STANDARD COLOR Black OTHER COLORS Not Available NOTES:</p> | <p>MATERIAL Aluminum FINISH Anodised STANDARD COLOR Black OTHER COLORS Not Available</p> | <p>MATERIAL Nylon FINISH Sparked Matt STANDARD COLOR Black OTHER COLORS Upon Request</p> | <p>MATERIAL ABS FINISH Sparked Matt STANDARD COLOR Black OTHER COLORS Not Available NOTES: Uses APEM IS Switch</p> |

| | | |
|---|---|--|
|  <p>Q</p> |  <p>X</p> |  <p>AK</p> |
| <p>MATERIAL Nylon FINISH Sparked Matt STANDARD COLOR Black OTHER COLORS Not Available NOTES:</p> | <p>MATERIAL ABS FINISH Sparked Matt STANDARD COLOR Black OTHER COLORS Not Available NOTES: Uses APEM IS Switch</p> | <p>MATERIAL Aluminum FINISH Anodised STANDARD COLOR Black OTHER COLORS Not Available NOTES: Uses APEM IA Switch</p> |

| | | |
|--|--|---|
|  <p>AM</p> |  <p>AT</p> |  <p>BB</p> |
| <p>MATERIAL Aluminum FINISH Anodised STANDARD COLOR Black OTHER COLORS Not Available NOTES: Uses APEM IA Switch</p> | <p>MATERIAL Nylon FINISH Sparked Matt STANDARD COLOR Black OTHER COLORS Upon Request</p> | <p>MATERIAL Nylon FINISH Sparked Matt STANDARD COLOR Black OTHER COLORS Not Available NOTES: Uses APEM IL Switch</p> |

1. Dimensions are in mm/(inch)

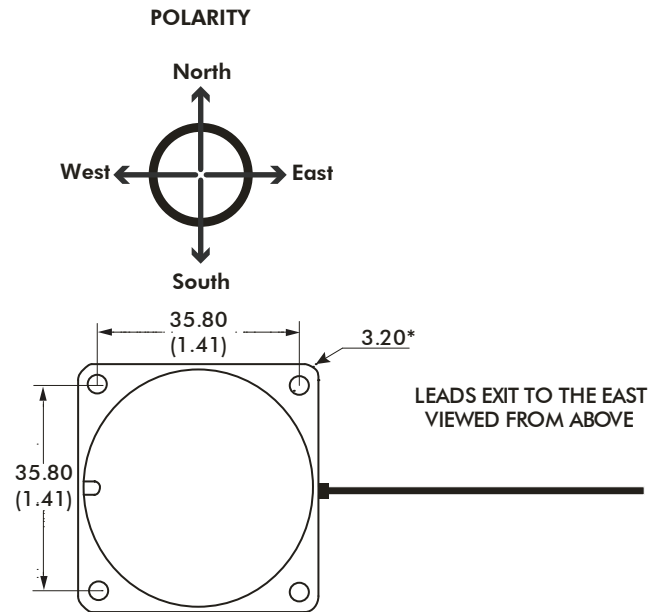
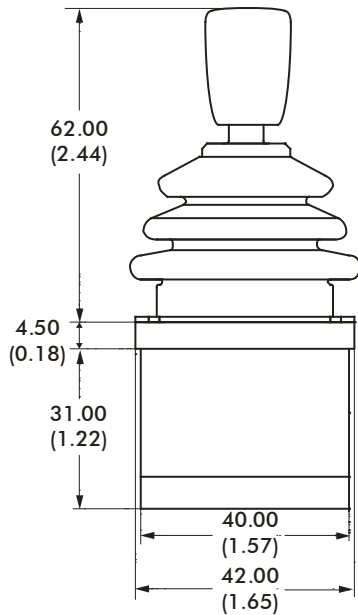
Note: The company reserves the right to change specifications without notice.

8000 series

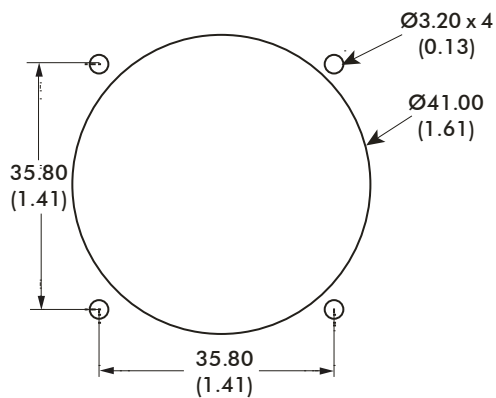
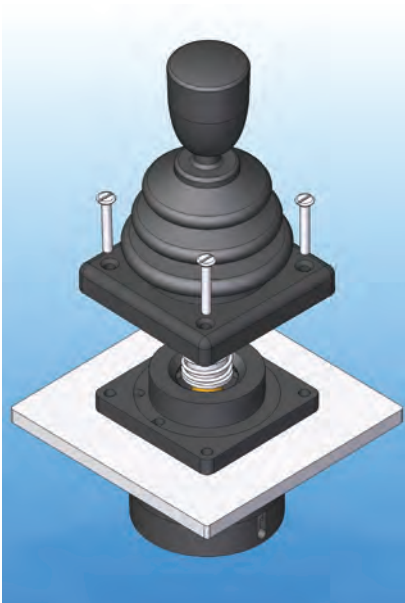
Ruggedized switch joysticks

DIMENSIONAL DRAWINGS

GENERAL DIMENSIONS



DROP IN MOUNTING - PANEL CUT-OUT & MOUNTING INSTALLATION



The joystick is dropped into the panel cut-out. The joystick and boot must be kept in place by bezel (option 6 & 7). For panel thickness of <3mm, M3 x 16 countersunk machine screws are recommended.

NOTES:

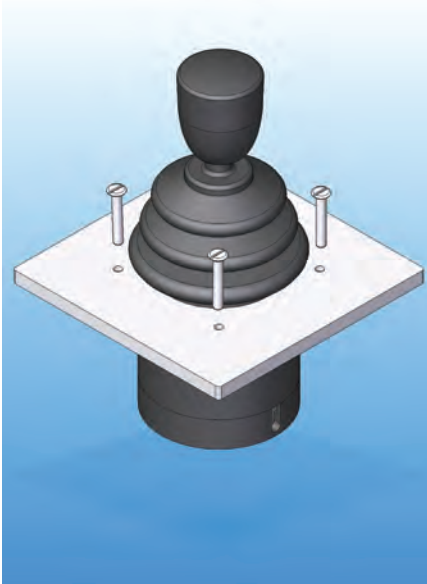
1. Dimensions are in mm/(inch)
2. The dimensions shown are for a generic 8000 Series with the conical E type handle. For specific dimensions of this or any other configuration please refer to the Factory.

8000 series

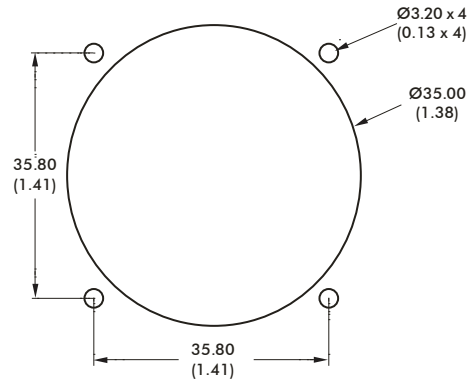
Ruggedized switch joysticks

MOUNTING INSTALLATION

MOUNTING OPTION A - PANEL CUT-OUT & MOUNTING INSTALLATION

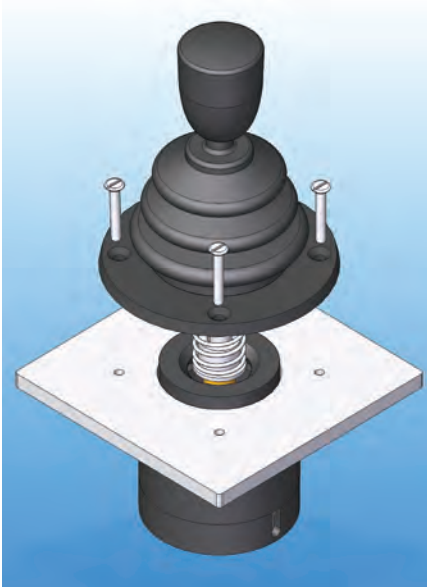


MOUNTING CUT-OUT

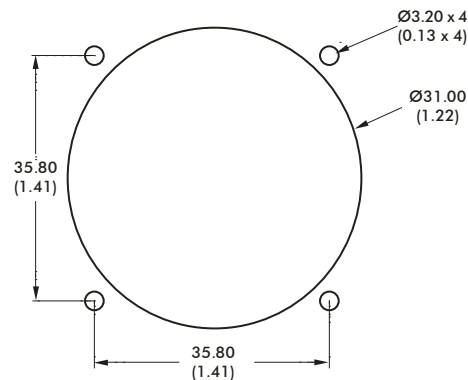


When mounted this way the panel acts as the bezel and no separate bezel is needed. M3 machine screws are recommended.

MOUNTING OPTION B - PANEL CUT-OUT & MOUNTING INSTALLATION



MOUNTING CUT-OUT



The joystick flange is mounted beneath the panel and the base of the boot must be brought through the panel cut-out and held in place with the circular bezel (option 4). For panel thicknesses of 3mm, M3 x 16 countersunk machine screws are recommended.

Note: When sub panel mounting, great care should be taken not to damage the boot, or any of the mechanism under the boot. All panel cut-outs should be free from sharp edges and swarf that may damage the boot.

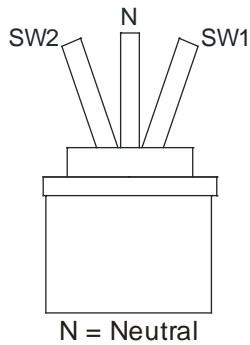
8000 series

Ruggedized switch joysticks

SWITCHING OPTIONS

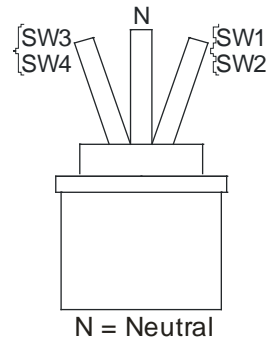
SINGLE AXIS CONFIGURATIONS

SWITCHING OPTION A



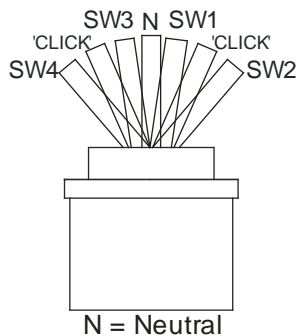
One switch will actuate as the joystick moves away from center in either direction.

SWITCHING OPTION B



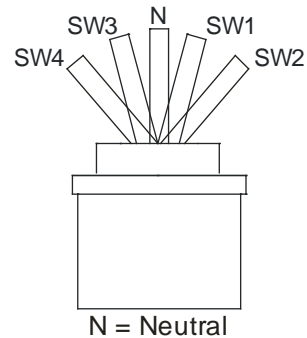
Two switches will actuate as the joystick moves away from center, in either direction.

SWITCHING OPTION C



As per option D, but with a mechanical detent between actuation of the first and second switch.

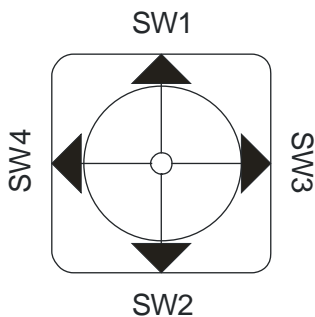
SWITCHING OPTION D



One switch will actuate after 50% of travel, with a further switch at the end of travel, in either direction.

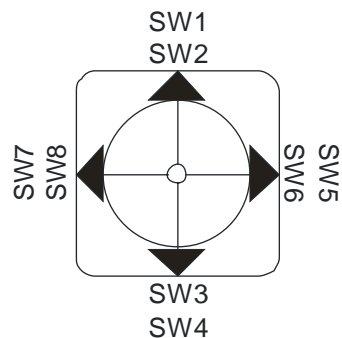
TWO AXES CONFIGURATIONS

SWITCHING OPTION E



One switch will actuate in each of the four directions: North, South, East & West.

SWITCHING OPTION F



Two switches will actuate in each of the four directions: North, South, East & West.

8000 series

Ruggedized switch joysticks

CONFIGURATION OPTIONS

MICROSWITCHES

The 8000 Series utilizes industrial quality microswitches with changeover contacts. As standard, the switches are rated to a maximum of 1 Amp, and have gold plated contacts for reliable switching at low current levels. Please note when specifying a joystick with a pushbutton handle the characteristics of the pushbutton will be different from the microswitches. Please refer to Apem for full details and characteristics of your chosen configuration.

SWITCHING OPTIONS

The following configurations are available as standard :

Single Axis - Single Pole : One switch in each of the the two directions; North & South.

Single Axis - Double Pole : Two switches in each of the the two directions; North & South.

Single Axis - Progressive : One switch will actuate after 8 degrees of movement, with a further switch actuating after another 10 degrees of movement, in either direction.

Single Axis - Progressive with detents : As above, but with a mechanical detent at the point of the first switch actuation in each direction.

Dual Axes - Single Pole : One switch in each of the four positions; North, South, East and West.

Dual Axes - Double Pole : Two switches in each of the four positions; North, South, East and West.

Note : Double Pole switching is designed such that both switches in any given position trigger nominally together.

Many configurations are also available with a further microswitch actuating when the joystick is at center, for center detection purposes.

GUIDED FEEL

8000 Series joysticks may also be specified with guided feel. A joystick with guided feel moves more readily towards the poles (North, South, East and West) and whilst it can still move away from the poles, the force required to do so is greater. Unless specified otherwise, joysticks are supplied as standard without guiding. This standard configuration allows the user to move the joystick anywhere within the limiter with the same force and without any bias.

CABLE SPECIFICATION

As standard the joysticks are supplied utilizing the normally open contacts of the microswitches.

For connection to the normally closed contacts, please specify this as part of your special modification.

Cable information may be subject to specification, please refer to Apem for details. Connectors and custom looms may be factory fitted upon request.

| | | | |
|--|------------------------------------|--------|------------------------|
| 14/0.12 - Fourteen strands of 0.12mm diameter tinned annealed copper wire PVC insulated to a nominal OD of 1mm | | | |
| Red | : Common | Black | : First Switch East |
| Blue | : Second Switch West | Yellow | : Second Switch East |
| Green | : First Switch West | Purple | : First Switch South |
| Orange | : Second Switch North | White | : Second Switch South |
| Brown | : First Switch North | Grey | : Center Detect Switch |
| | | | |
| 7/0.127 - Seven strands of 0.127mm diameter tinned copper wire ETFE insulated, to a nominal OD of 0.7mm | | | |
| Orange | : First Pushbutton (Top of Handle) | Green | : Second Pushbutton |
| | | | |
| All 8000 Series are supplied with 150mm of twisted cable harness, with tinned ends. | | | |