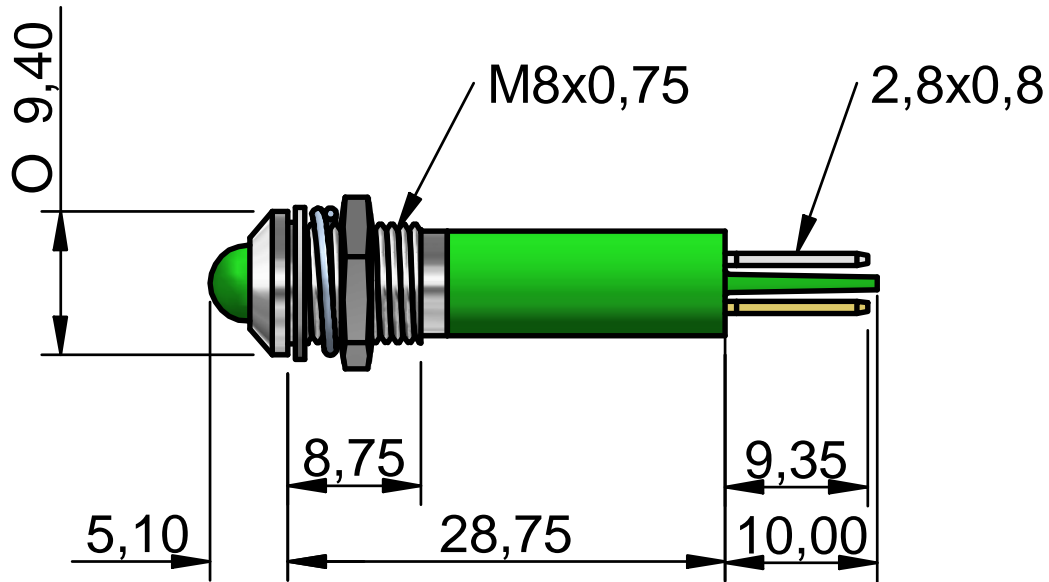


RS ITEM NO 211-522

ITEM NO Q8P1CXXHCG24AE



LED/Multiled	<i>LED</i>	Optimum voltage (V)	<i>24Vac/dc</i>	Intensity	<i>40mcd</i>
Mounting Size	<i>8mm</i>	Rectifier	<i>Half Wave</i>		
Mounting Finish	<i>Satin Bezel</i>	AC current	<i>10mA</i>		
Protection	<i>IP67</i>	DC current	<i>20mA (max)</i>		
Mount Holder	<i>Prominent</i>	Voltage Tolerance(%)	<i>10%</i>		
Chip Qty	<i>1</i>	Optimum temperature (°C)	<i>-40°C...+85°C</i>		
Indicator colour	<i>Green High Contrast</i>	Storage temperature (°C)			
Wavelength (nm)	<i>568</i>	Contact Tab x 2	<i>2.8x0.8mm</i>		



Dimension in mm (typical), not to scale.

We reserve the right to make changes without further notice to this product to improve reliability, function or design.