

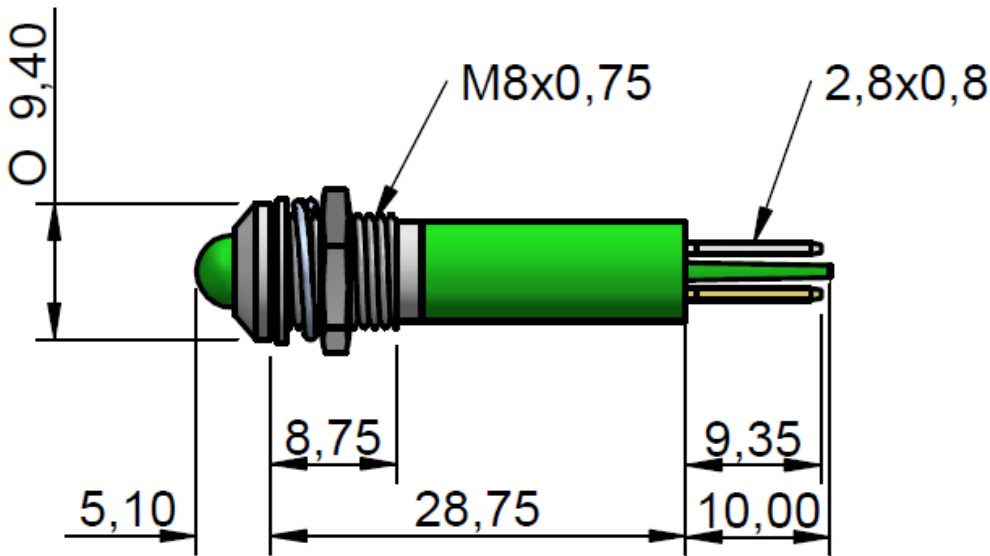
Professionally approved products.

Datasheet

Green LED Panel Mount Indicator

RS Stock number 204-934

Dimensions (mm):



Specifications:

LED/Multiled	LED	Optimum voltage (V)	24Vac/dc	Intensity	40mcd
Mounting Size	8mm	Rectifier	Half Wave		
Mounting Finish	Matt Bezel	AC current	10mA		
Protection	IP67	DC current	20mA (max)		
Mount Holder	Prominent	Voltage Tolerance(%)	10%		
Chip Qty	1	Optimum temperature (°C)	-40°C...+85°C		
Indicator colour	Green High Contrast	Storage temperature (°C)			
Wavelength (nm)	568	Contact Tab x 2	2.8x0.8mm		