

4

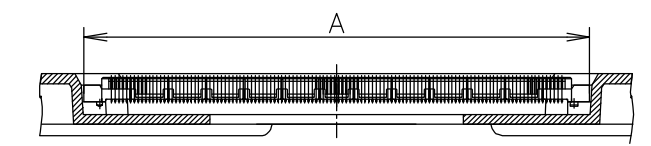
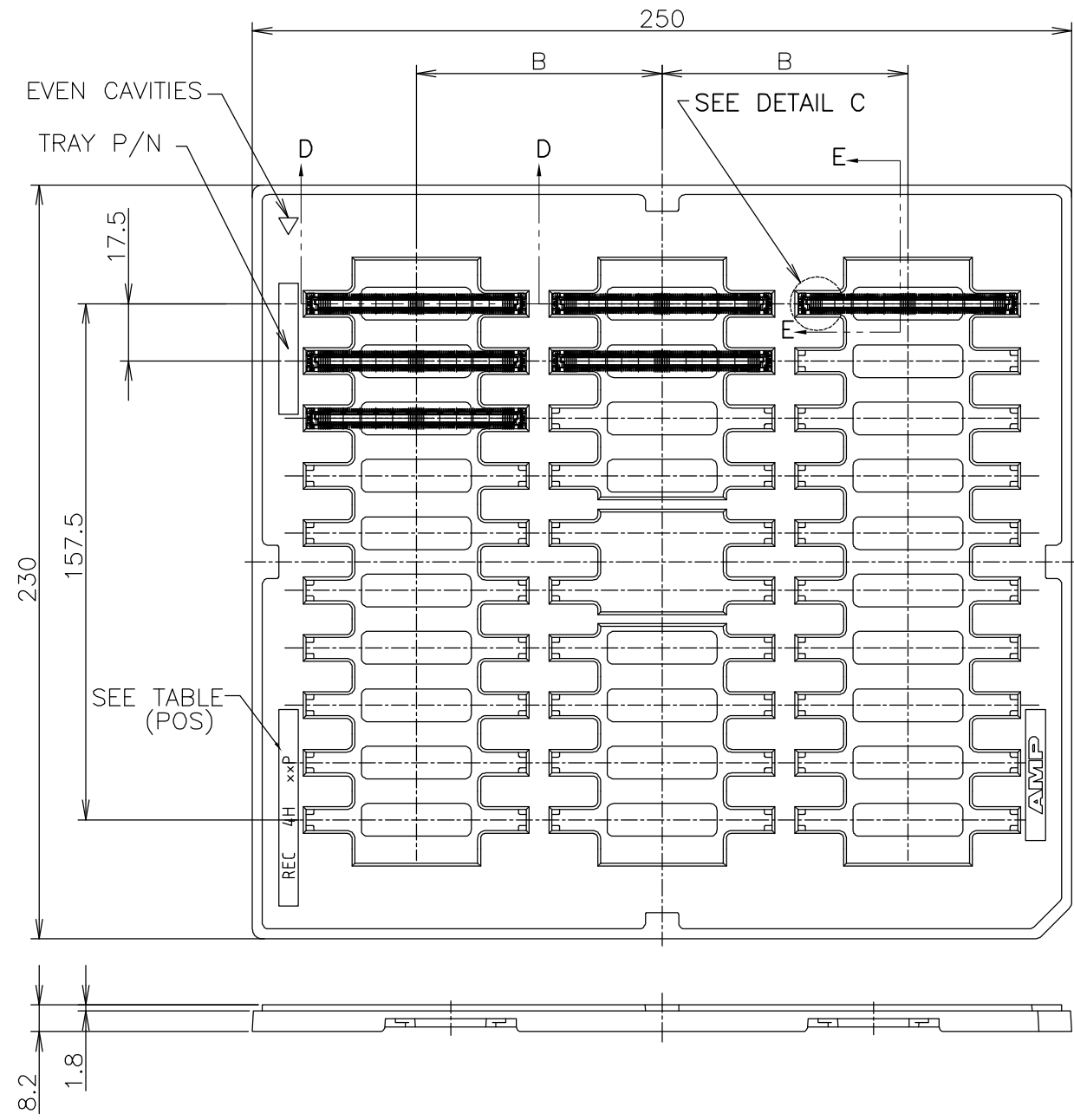
3

2

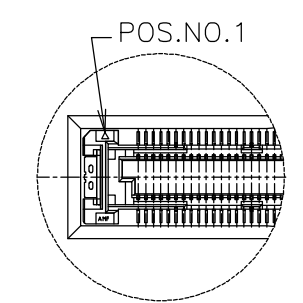
1

THIS DRAWING IS UNPUBLISHED. RELEASED FOR PUBLICATION ,2005.  
 © COPYRIGHT 2005 BY TYCO ELECTRONICS CORPORATION. ALL RIGHTS RESERVED.

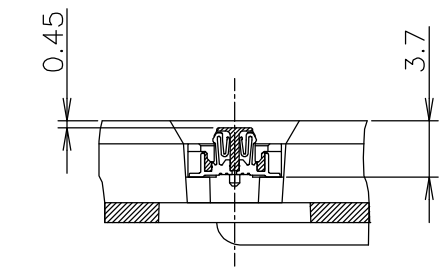
LOC	DIST	REVISIONS			
P	LTR	DESCRIPTION	DATE	DWN	APVD
J		A	RELEASED	26SEP05	S.C W.K



SECT. D-D  
(SCALE 2:1)  
(CONNECTOR NOT SECTION)



DETAIL C  
(SCALE 2:1)



E-E  
(SCALE 2:1)

NO	3	30	75	61.8	220	3-6318490-6
SEALANT	ROW	QTY	B	A	POS.	PART NO.

THIS DRAWING IS A CONTROLLED DOCUMENT.		DWN	S.CHIEN	26SEP05	Tyco Electronics AMP K.K. Kawasaki, Japan	
DIMENSIONS: MM		CHK	T.FUTATSUGI	26SEP05		
TOLERANCES UNLESS OTHERWISE SPECIFIED:		APVD	W.KODAMA	26SEP05	NAME	
0 PLC ± 0.3 1 PLC ± 0.3 2 PLC ± 0.3 3 PLC ± 0.3 4 PLC ± 0.3 ANGLES ± 3°		PRODUCT SPEC		HARD TRAY ASSY		
MATERIAL		FINISH		APPLICATION SPEC		108-5560
				WEIGHT		REC 4H WITH GROUND PLATE
		CUSTOMER DRAWING		SIZE	A3	CAGE CODE
				DRAWING NO	C-6318490	
				RESTRICTED TO		
				SCALE	1:2	SHEET
				REV	A	1 OF 3

4

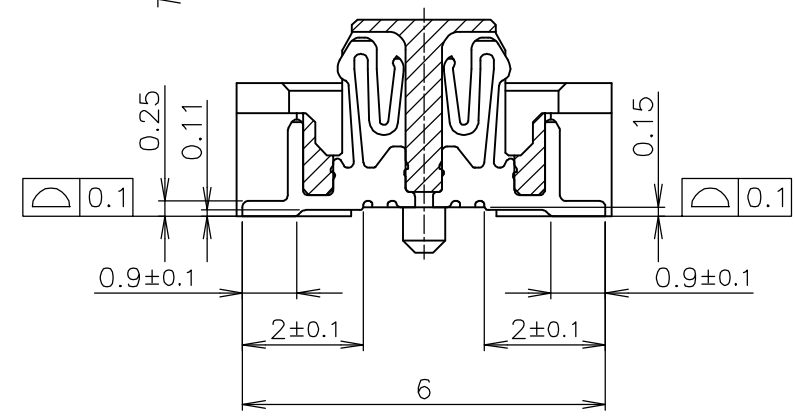
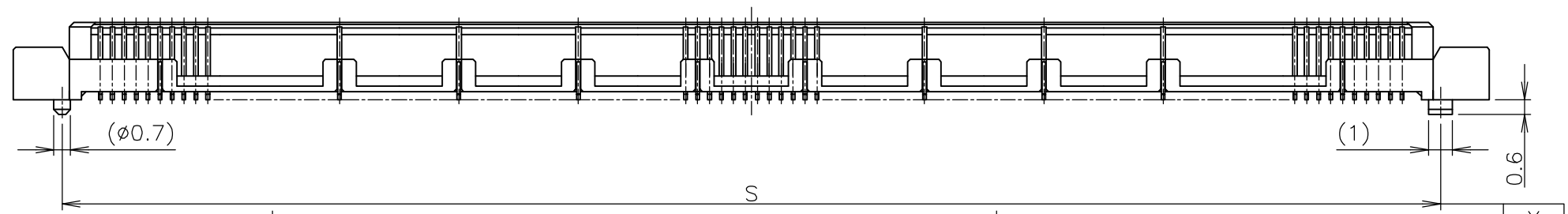
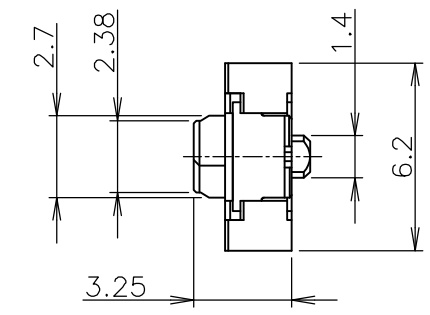
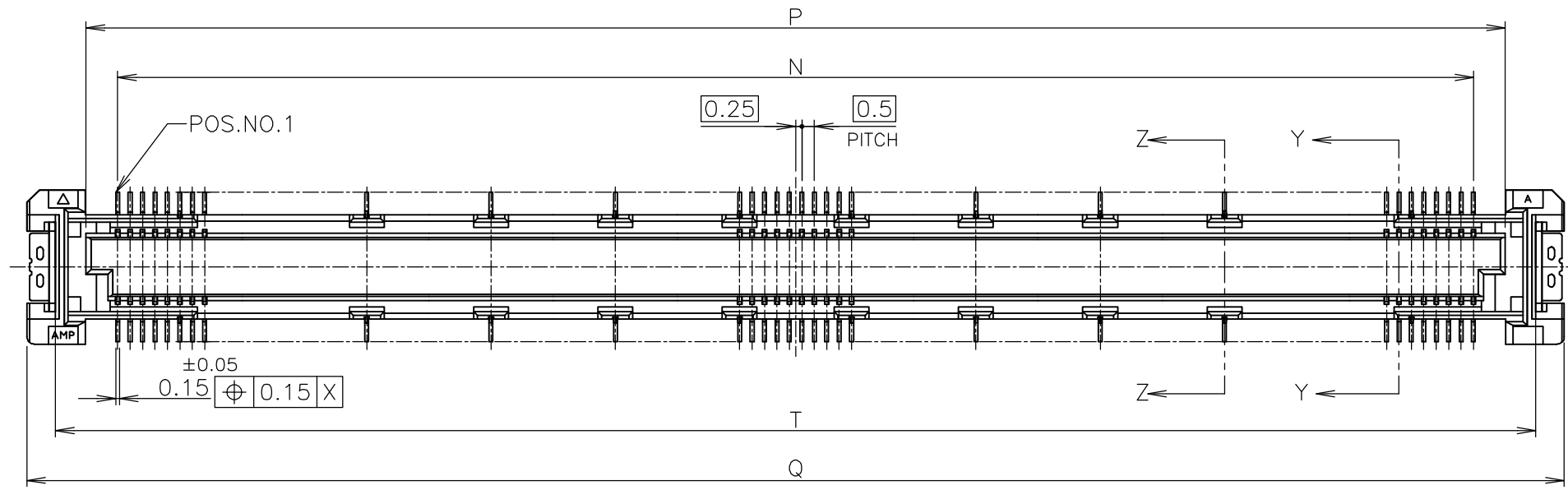
3

2

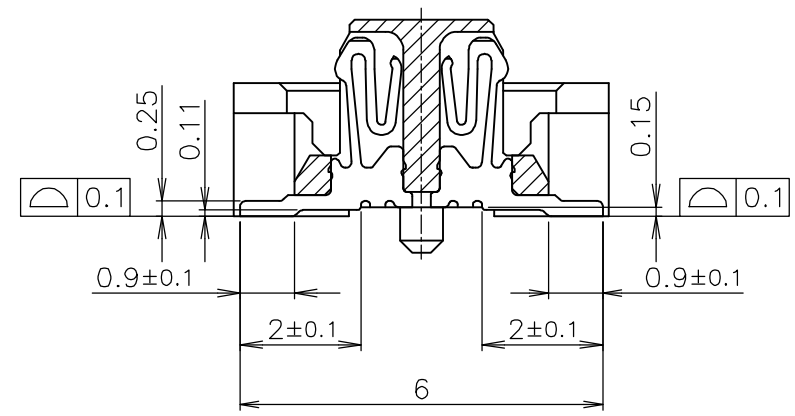
1

THIS DRAWING IS UNPUBLISHED. RELEASED FOR PUBLICATION ,2002.  
 © COPYRIGHT 2002 BY TYCO ELECTRONICS CORPORATION. ALL RIGHTS RESERVED.

LOC	DIST	REVISIONS			
P	LTR	DESCRIPTION	DATE	DWN	APVD
J		SEE SHEET 1	-	-	-



SECT. Z-Z  
(GROUND POSITION)  
(SCALE 8:1)



SECT. Y-Y  
(SIGNAL POSITION)  
(SCALE 8:1)

59.5	57.7	61.8	57.1	54.5	220	BLACK	3-6318490-6
T	S	Q	P	N	POS.	HSG COLOR	PART NO.

THIS DRAWING IS A CONTROLLED DOCUMENT.		DWN	Tyco Electronics AMP K.K. Kawasaki, Japan			
DIMENSIONS: MM		CHK				
TOLERANCES UNLESS OTHERWISE SPECIFIED:		APVD	NAME			
0 PLC ± 0.3 1 PLC ± 0.3 2 PLC ± 0.3 3 PLC ± 0.3 4 PLC ± 0.3 ANGLES ± 3°		PRODUCT SPEC	HARD TRAY ASSY FH 0.5BTB CONNECTOR 220POS REC 4H WITH GROUND PLATE			
MATERIAL		APPLICATION SPEC	SIZE	CAGE CODE	DRAWING NO	RESTRICTED TO
FINISH		WEIGHT	A3	00779	C-6318490	
CUSTOMER DRAWING			SCALE	SHEET	OF	REV
			4:1	2	3	A

