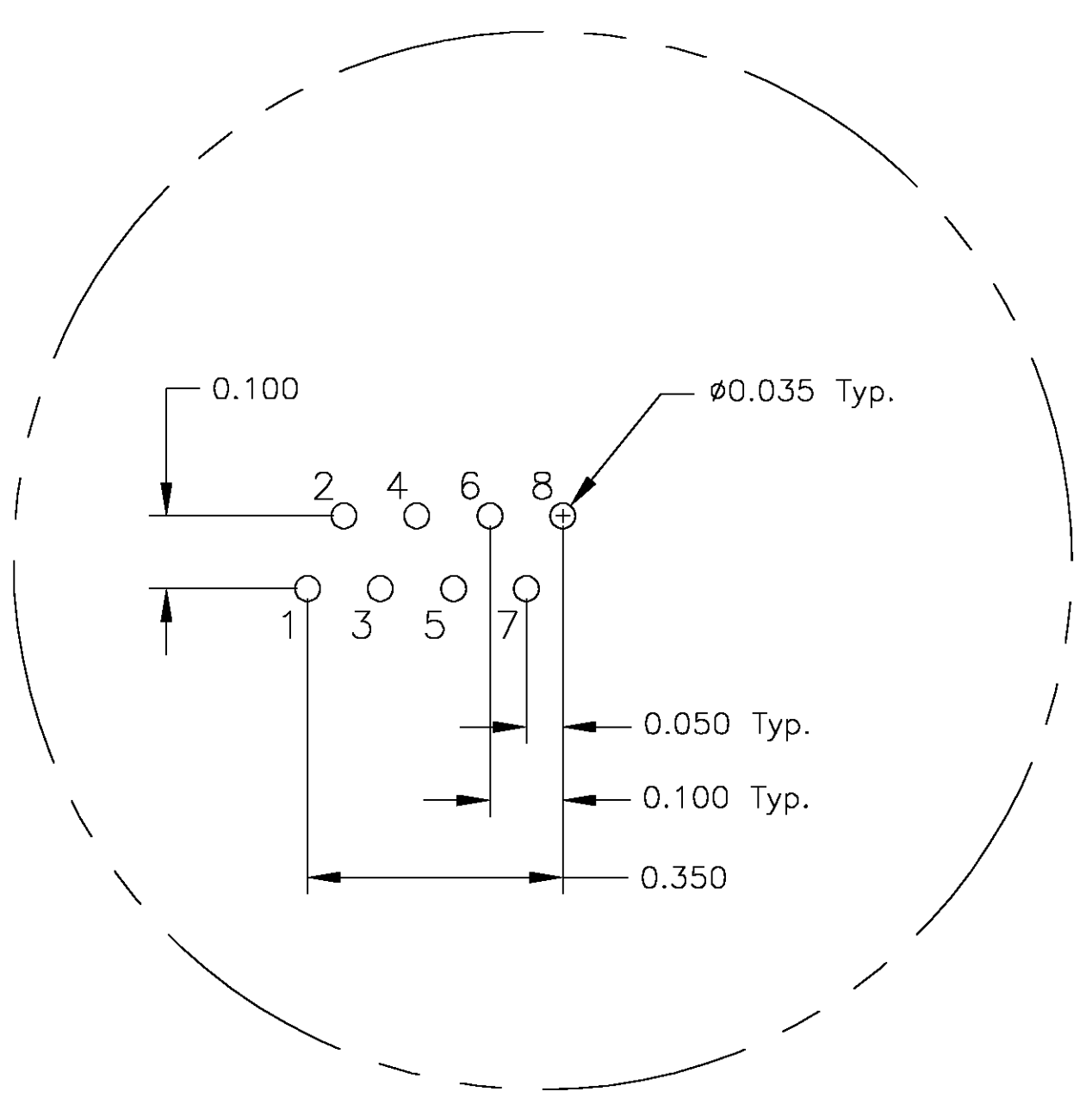
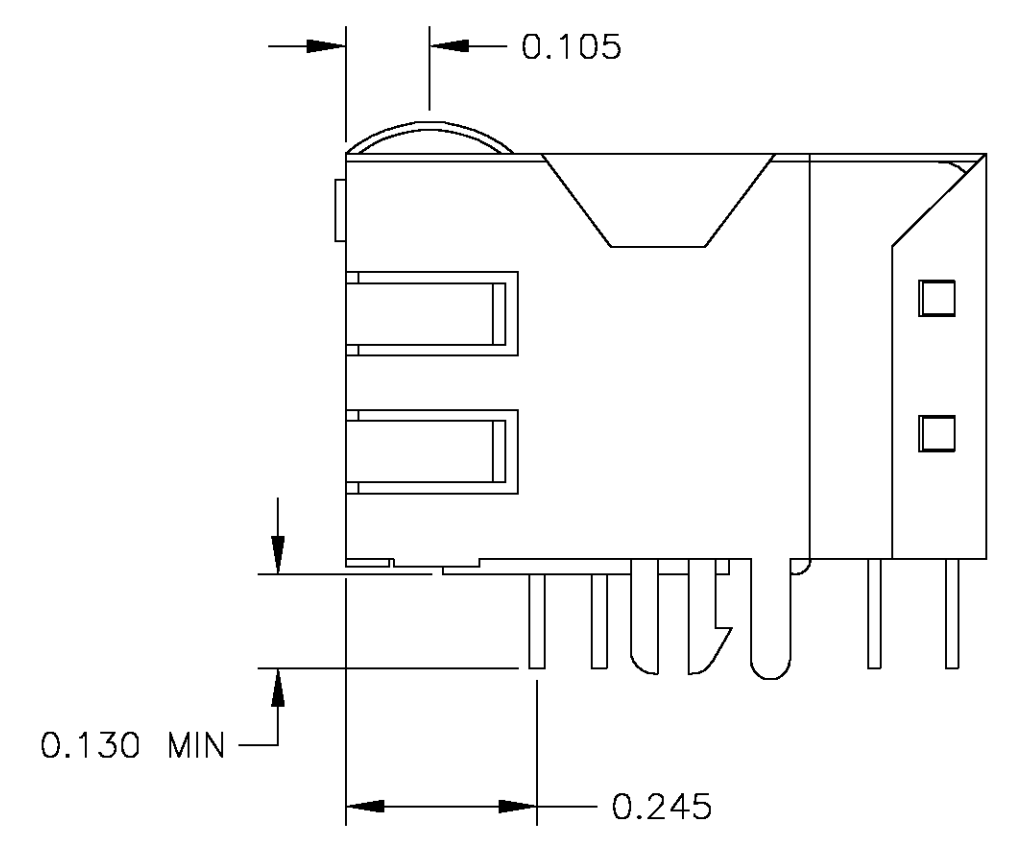
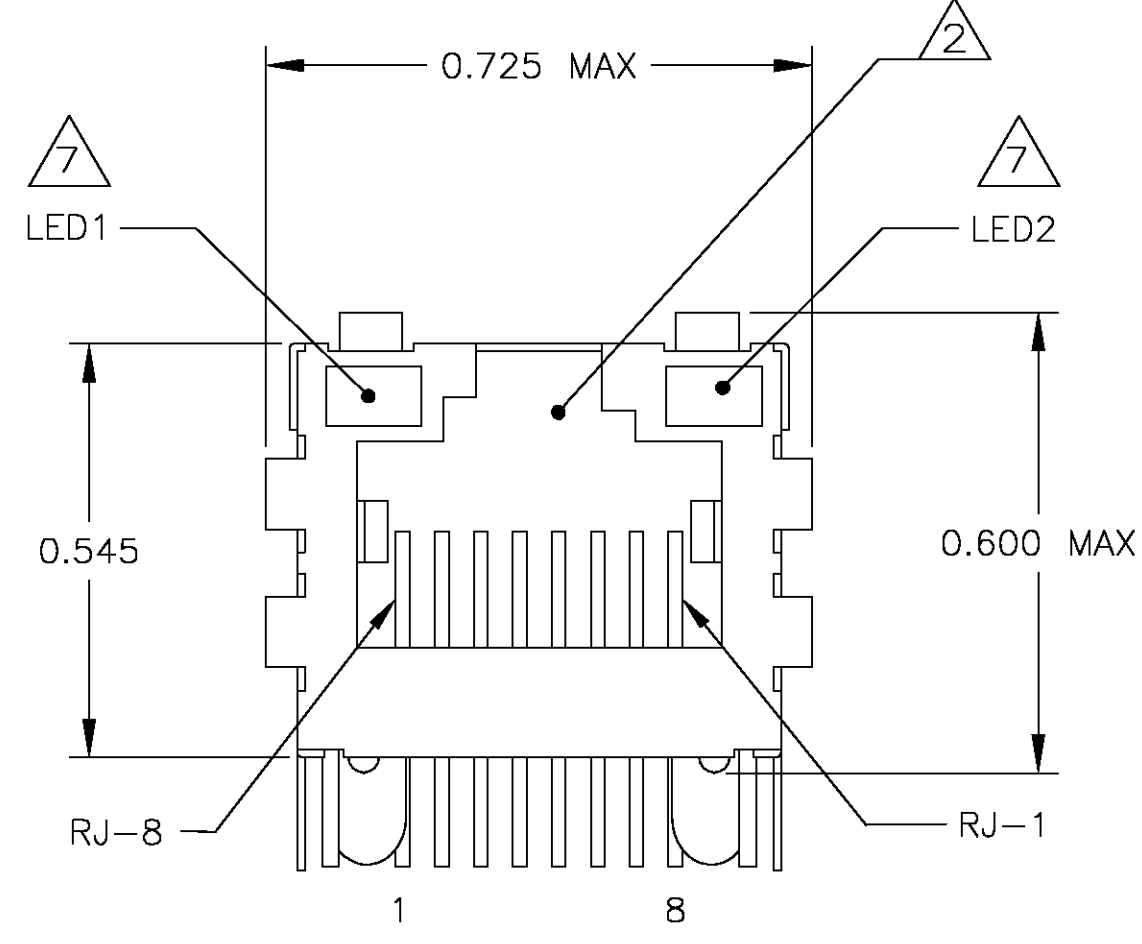
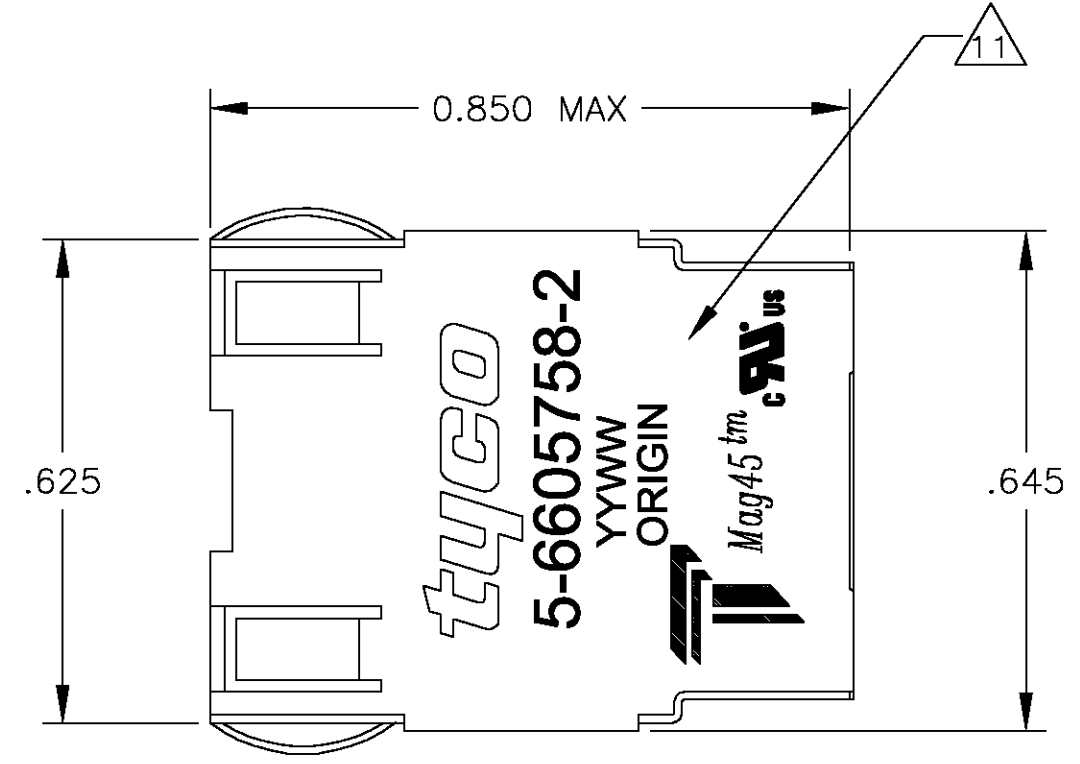
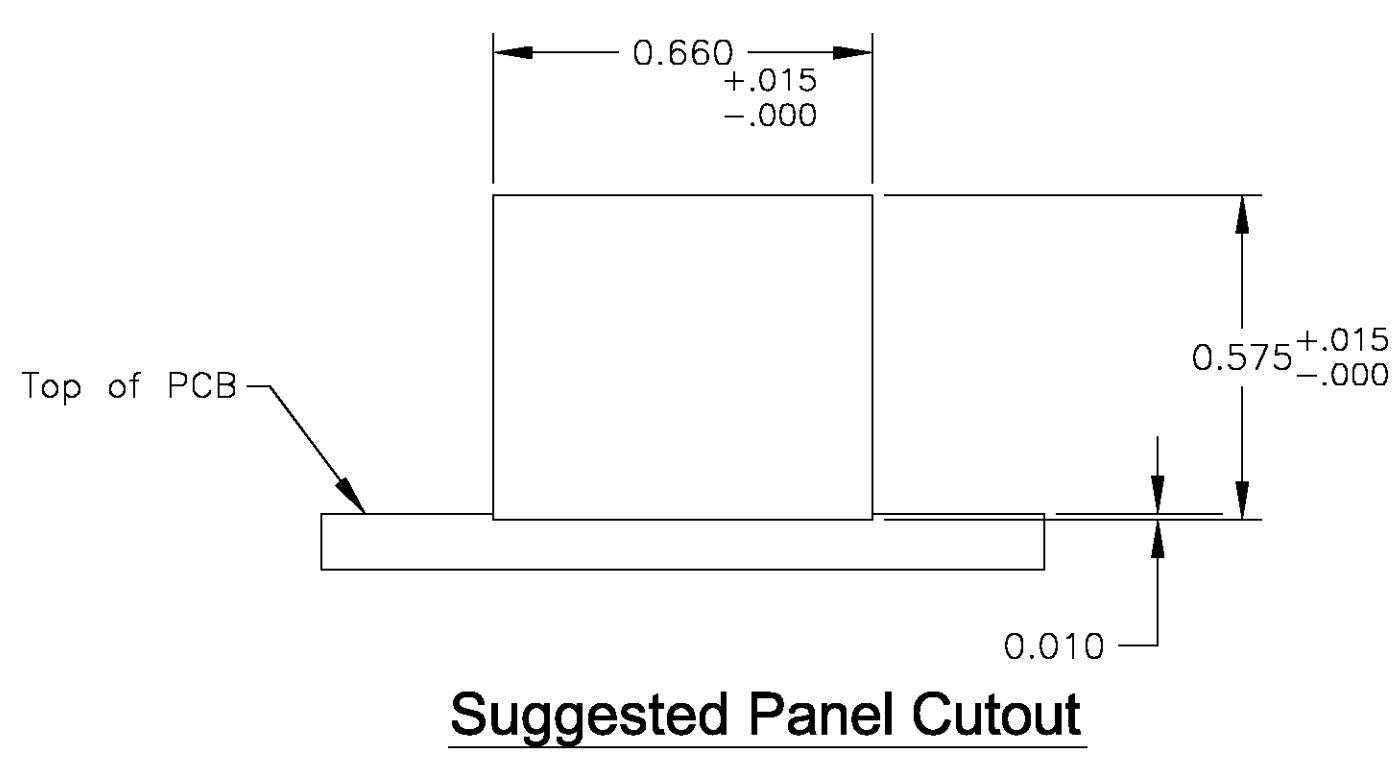


**MECHANICAL:**

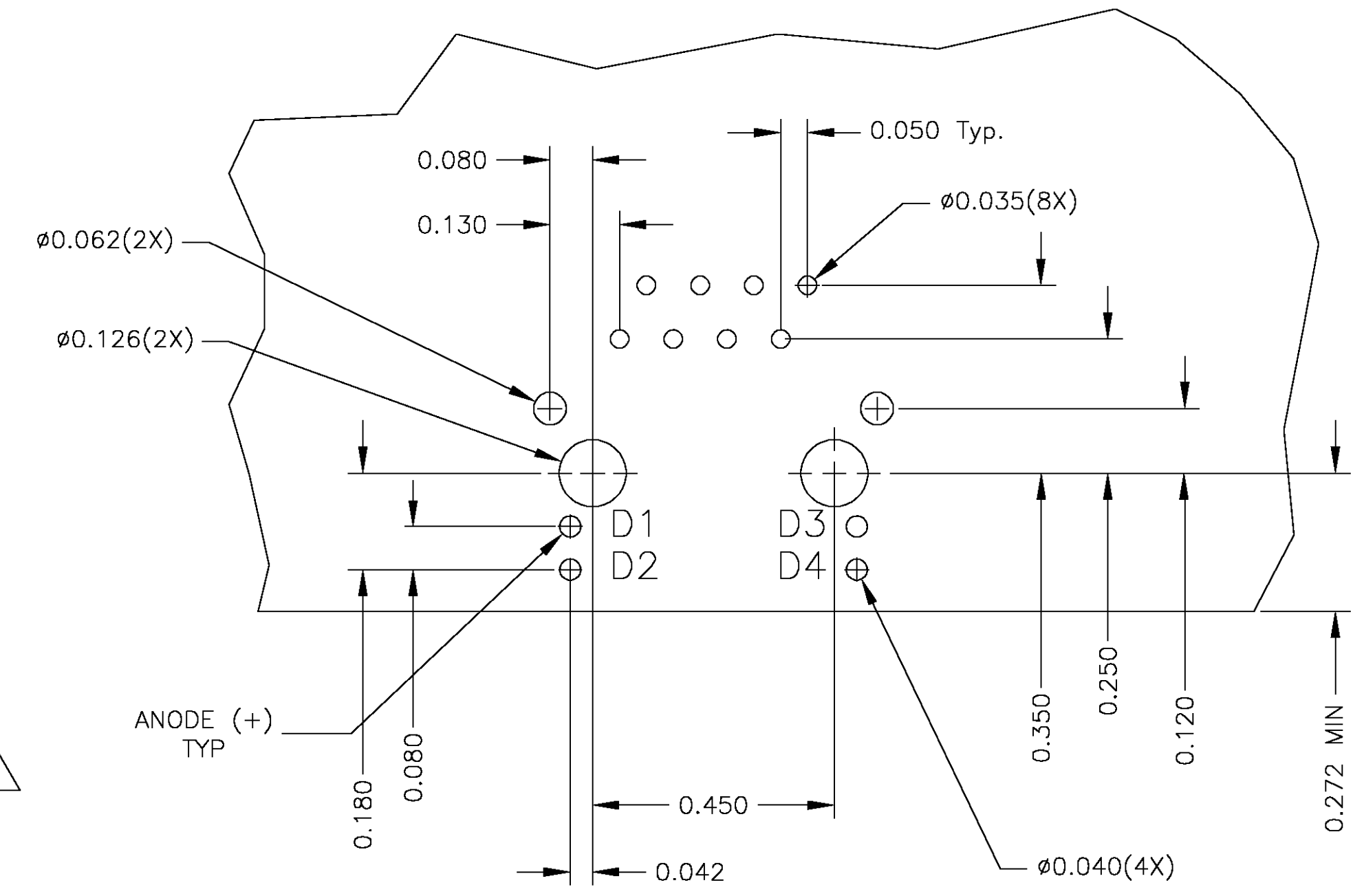
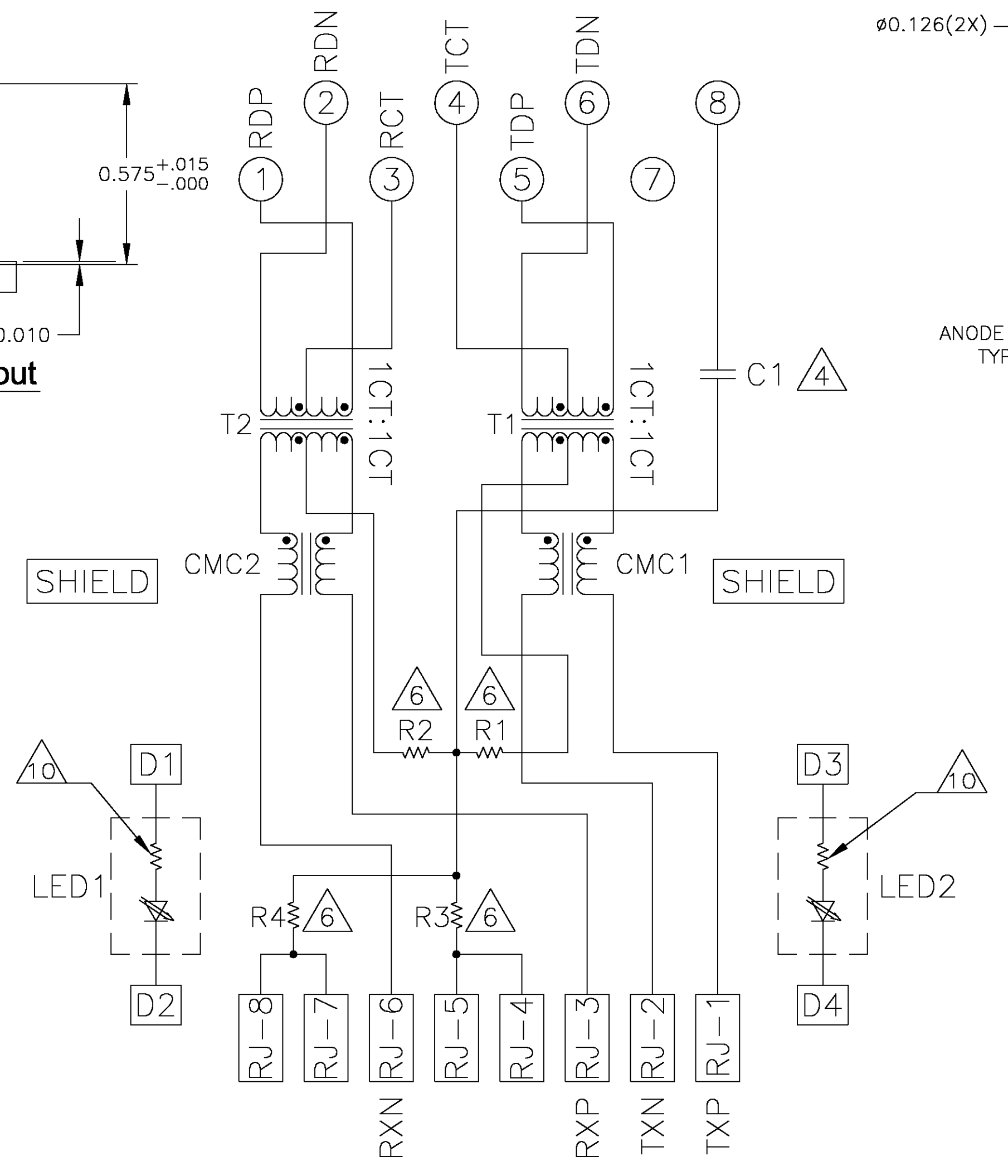


**Pin Designations**

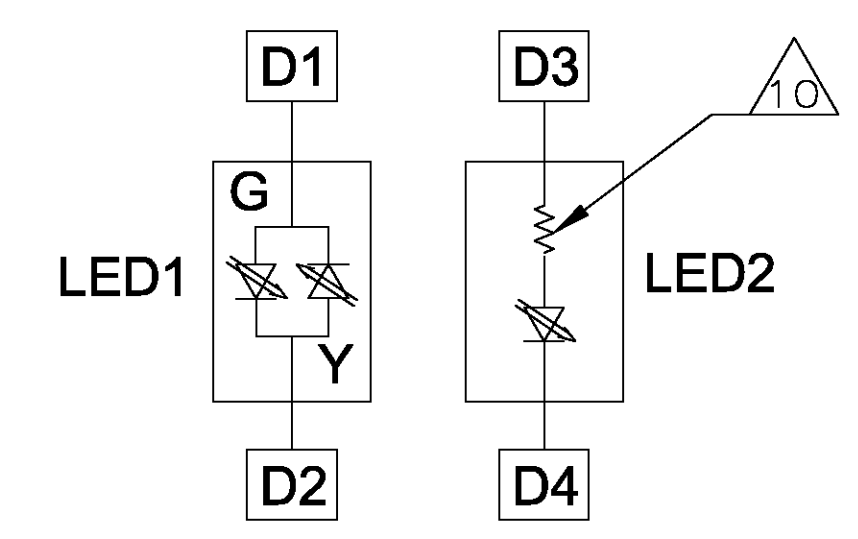


**Suggested Panel Cutout**

**726 SERIES MAGNETIC CIRCUIT**



**Suggested PCB Layout**



**LED CONFIGURATION FOR 5-6605758-4 ONLY**

- △ **MATERIALS:**
  - HOUSING - THERMOPLASTIC PET POLYESTER FLAMMABILITY RATING UL 94V-0.
  - SHIELD - .010" THICK, C26800 BRASS PREPLATED WITH 30µINCH MIN SEMI-BRIGHT NICKEL, SOLDER TABS POST DIPPED WITH 100µINCH MIN SAC SOLDER.
  - MOD JACK CONTACTS - 0.0157" x 0.018" PHOSPHOR BRONZE, 50µINCH MIN OVERALL NICKEL UNDERPLATE, WITH SELECT 50µINCH MIN HARD GOLD FINISH PLATE. SOLDER TAILS WITH 100µINCH MIN MATTE TIN AND/OR SAC SOLDER DIP.
  - LIGHT EMITTING DIODE(LED) - DIFFUSED EPOXY LENS, .020" x .020" CARBON STEEL WIREFRAME LEADS PRE-PLATED WITH 80µINCH SILVER OVER 40µINCH NICKEL UNDERPLATE OVER 40µINCH COPPER UNDERPLATE, POST-PLATED WITH 100µINCH MIN MATTE TIN AND/OR SAC SOLDER DIP OR PURE TIN SOLDER DIP.
- △ **RJ45 JACK CAVITY CONFORMS TO FCC RULES AND REGULATIONS PART 68, SUB PART F.**
- △ **MAGNETICS**
  - IMPEDANCE: 100 OHMS
  - TURNS RATIO (CHIP:CABLE): TX = 1:1, RX = 1:1
  - OPEN CIRCUIT INDUCTANCE (OCL): 350mH MIN @100kHz, 0.1VRMS, 8mADC BIAS FROM 0°C TO 70°C, TX AND RX
  - PERFORMANCE @ 25°C:
    - INSERTION LOSS (IL): 1.1dB MAX FROM 0.5MHz TO 100MHz
    - RETURN LOSS (RL): 18dB MIN FROM 0.5MHz TO 30MHz
    - 18-20LOG(f/30)dB MIN FROM 30.1MHz TO 60MHz
    - 12dB MIN FROM 60.1MHz TO 80MHz
    - CROSSTALK ATTENUATION: 35dB MIN FROM 0.5MHz TO 40MHz
    - 33-20LOG(f/50)dB MIN FROM 40.1MHz TO 100MHz
    - COMMON MODE REJECTION RATIO (CMRR): 30dB MIN FROM 0.5MHz TO 100MHz
    - ISOLATION VOLTAGE: COMPLIES WITH IEEE802.3 2002, PARA 23.5.1.1, ITEM a or b.
- △ **C1 IS AN OPTIONAL 1000pF, 2KV DECOUPLING CAPACITOR. IF NO CAPACITOR, TRACE IS CONTINUOUS.**
- 5 **OPERATING TEMPERATURE: FROM 0° TO +70°C.**
- △ **R1-R4 = 75 OHMS, 1/16 W, 5% RESISTORS.**
- △ **LED COMPLIANT WITH IEC60825-1 SAFETY OF LASER PRODUCTS. WHEN OPERATED AT 20 mA.**
- △ **INDICATED CONNECTIONS ARE FOR NIC CONFIGURATION. THE MAGNETICS ARE SYMMETRICAL, AND SUPPORT AUTO-MDI/MDIX.**
- △ **LED PEAK WAVELENGTH: GREEN(λ) = 565nm**  
YELLOW(λ) = 585nm
- △ **THESE 250 OHM RESISTORS ARE INCLUDED IN THE LEDS ON 1-6605758-1, 5-6605758-1, 5-6605758-2, 5-6605758-4 AND 6-6605758-1 ONLY.**
- △ **TRADEMARK, PART NUMBER, DATE CODE, COUNTRY OF ORIGIN AND AGENCY APPROVAL MARKING IN APPROXIMATE LOCATION SHOWN.**

YES	GREEN	GREEN	6-6605758-1
YES	YELLOW	GREEN	5-6605758-9
YES	GREEN	YELLOW	5-6605758-8
YES	GREEN	GREEN	5-6605758-7
YES	GREEN/YELLOW	GREEN	5-6605758-4
YES	YELLOW	GREEN	5-6605758-2
YES	GREEN	YELLOW	5-6605758-1
NO	GREEN	GREEN	1-6605758-1
△4	DECOUPLING CAPACITOR	LED1 △10	LED2 △10
			PART NUMBER

THIS DRAWING IS A CONTROLLED DOCUMENT.

DIMENSIONS:	TOLERANCES UNLESS OTHERWISE SPECIFIED:	0.125	± .005
1. INCHES		0.125	± .005
2. .0625		0.125	± .005
3. .03125		0.125	± .005
4. .015625		0.125	± .005
ANGLES			± .005
MATERIAL	FINISH		

DMW L. VARELA - DOCKS 03MAR2005  
 CHK D. FAROLE 03MAR2005  
 APVD D. FAROLE 03MAR2005

Tyco Electronics Corporation  
 Harrisburg, Pa 17105-3608

NAME: 1X1 MAG45(TM), 7N2 SCHEMATIC, 726 SERIES CIRCUIT, OPTIONAL DECOUPLING CAPACITOR, SHIELDED, WITH LEADS  
 PRODUCT SPEC: 108-2100  
 APPLICATION SPEC: -

SIZE: A1 CAGE CODE: 00779 DRAWING NO: 6605758  
 WEIGHT: -

CUSTOMER DRAWING SCALE: 1:1 SHEET 1 OF 1 REV A