

THIS DRAWING IS UNPUBLISHED. RELEASED FOR PUBLICATION 20  
 © COPYRIGHT 20 BY TYCO ELECTRONICS CORPORATION. ALL RIGHTS RESERVED.

LOC	DIST	REVISIONS			
P	LTR	DESCRIPTION	DATE	DWN	APVD
CE	00				
	C	REV PER ECR-08-007620	15JAN2009	DDE	LS
	CI	ADD NOTE 2	12MAR2009	BB	SB
	D	REVISED PER ECR 10-005395	05APR2010	DLF	LS

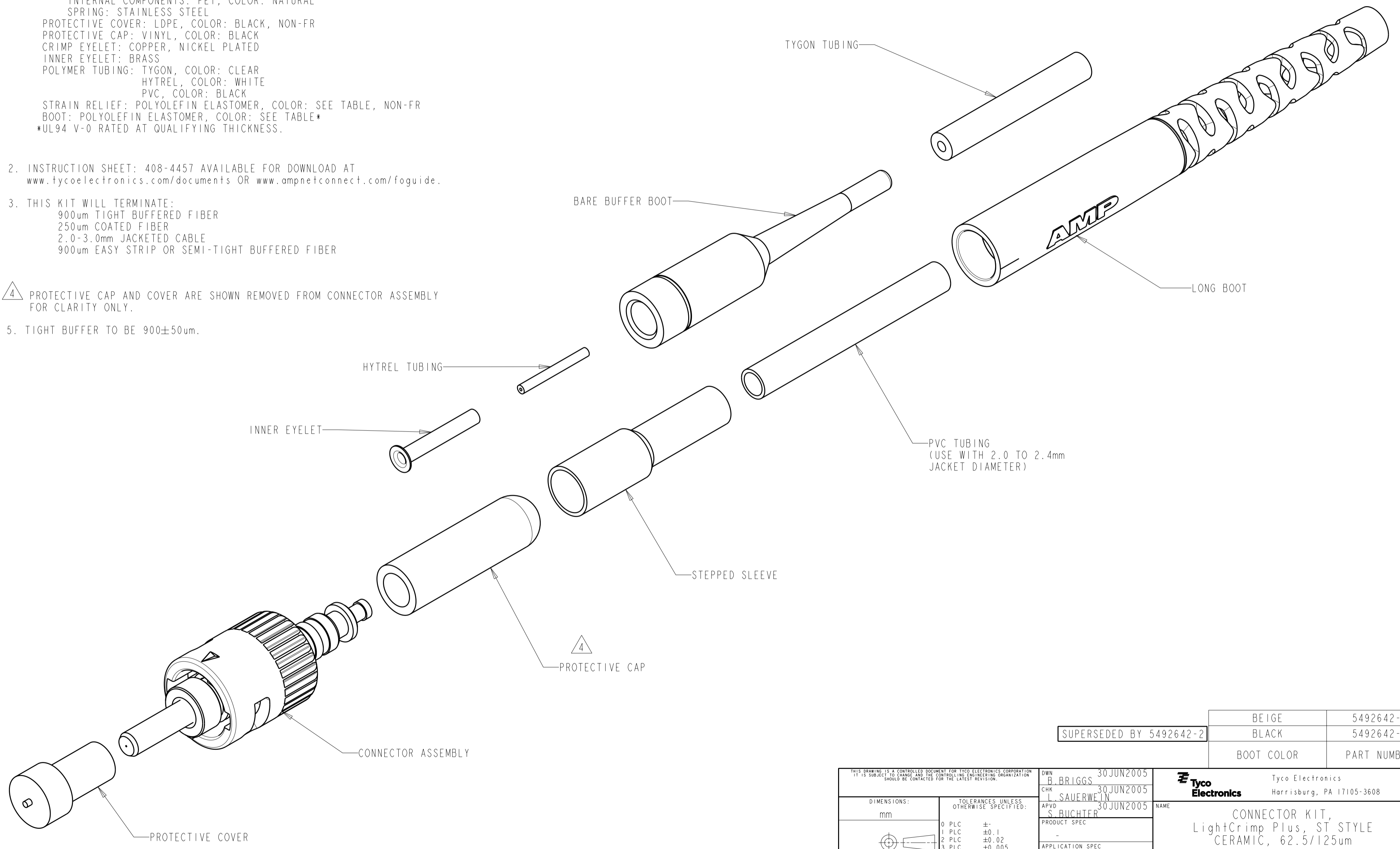
- 1 MATERIAL:  
 CONNECTOR ASSY  
 REAR BODY: ALUMINUM ALLOY  
 PLUNGER: ALUMINUM ALLOY  
 FERRULE: CERAMIC  
 COUPLING NUT: ZINC, NICKEL PLATED  
 INTERNAL COMPONENTS: PEI, COLOR: NATURAL  
 SPRING: STAINLESS STEEL  
 PROTECTIVE COVER: LDPE, COLOR: BLACK, NON-FR  
 PROTECTIVE CAP: VINYL, COLOR: BLACK  
 CRIMP EYELET: COPPER, NICKEL PLATED  
 INNER EYELET: BRASS  
 POLYMER TUBING: TYGON, COLOR: CLEAR  
                           HYTREL, COLOR: WHITE  
                           PVC, COLOR: BLACK  
 STRAIN RELIEF: POLYOLEFIN ELASTOMER, COLOR: SEE TABLE, NON-FR  
 BOOT: POLYOLEFIN ELASTOMER, COLOR: SEE TABLE\*  
 \*UL94 V-0 RATED AT QUALIFYING THICKNESS.

2. INSTRUCTION SHEET: 408-4457 AVAILABLE FOR DOWNLOAD AT  
[www.tycoelectronics.com/documents](http://www.tycoelectronics.com/documents) OR [www.ampnetconnect.com/foguide](http://www.ampnetconnect.com/foguide).

3. THIS KIT WILL TERMINATE:  
 900um TIGHT BUFFERED FIBER  
 250um COATED FIBER  
 2.0-3.0mm JACKETED CABLE  
 900um EASY STRIP OR SEMI-TIGHT BUFFERED FIBER

4 PROTECTIVE CAP AND COVER ARE SHOWN REMOVED FROM CONNECTOR ASSEMBLY FOR CLARITY ONLY.

5. TIGHT BUFFER TO BE 900±50um.



SUPERSEDED BY 5492642-2	BEIGE	5492642-2
	BLACK	5492642-1
	BOOT COLOR	PART NUMBER

THIS DRAWING IS A CONTROLLED DOCUMENT FOR TYCO ELECTRONICS CORPORATION. IT IS SUBJECT TO CHANGE AND THE CONTROLLING ENGINEERING ORGANIZATION SHOULD BE CONTACTED FOR THE LATEST REVISION.		DWN B. BRIGGS 30 JUN 2005	Tyco Electronics Harrisburg, PA 17105-3608	
DIMENSIONS: mm		CHK L. SAUERWEIN 30 JUN 2005	NAME CONNECTOR KIT, LightCrimp Plus, ST STYLE CERAMIC, 62.5/125um	
TOLERANCES UNLESS OTHERWISE SPECIFIED: 0 PLC ± 1 PLC ±0.1 2 PLC ±0.02 3 PLC ±0.005 4 PLC ±0.0005 ANGLES ± FINISH		APVD S. BUCHTER 30 JUN 2005	PRODUCT SPEC -	RESTRICTED TO -
MATERIAL		APPLICATION SPEC -	WEIGHT -	SIZE A2
1		CUSTOMER DRAWING	SCALE 4:1	SHEET 1 OF 1
AMP 1471-9 REV 31MAR2000		REV D		