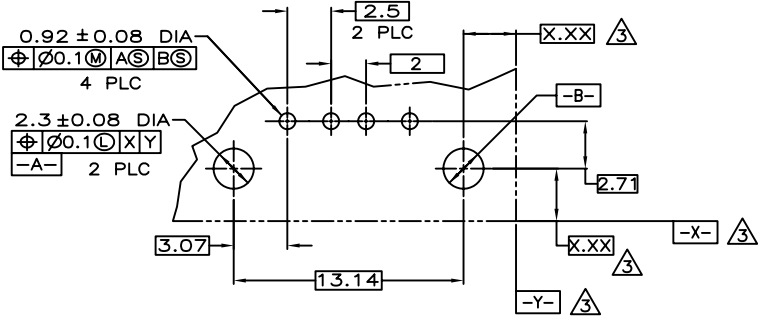
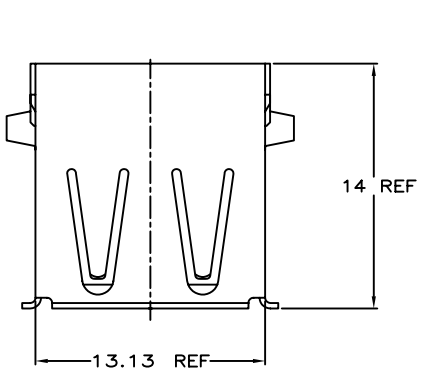
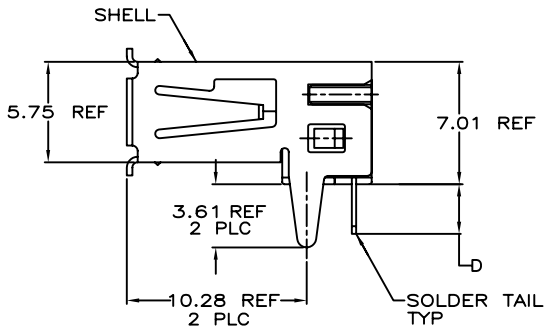
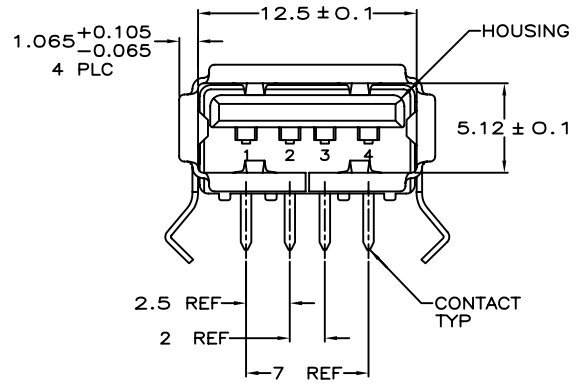


LOC		DIST		REVISIONS			
P	LTW	DESCRIPTION	DATE	DRW	APP'D		
A		REVISED FB00-0215-04	16DEC04	G.Z.I.E.			



PC BOARD MOUNTING DIMENSIONS  $\Delta$

- $\Delta$  MATERIAL:  
SHELL & CONTACTS- COPPER ALLOY.  
HOUSING- UL 94V-0 RATED, THERMOPLASTIC, COLOR SEE TABLE.
- $\Delta$  PLATING:  
CONTACTS- 0.076  $\mu$ m MINIMUM GOLD OVER 0.76  $\mu$ m MINIMUM PALLADIUM-NICKEL ON MATING AREA.  
3.8  $\mu$ m MINIMUM MATTE TIN ON SOLDER TAILS.  
BOTH OVER 1.27  $\mu$ m MINIMUM NICKEL.  
CONTACT ALTERNATE PLATING: 0.76  $\mu$ m MIN GOLD ON MATING AREA, 3.80  $\mu$ m MIN MATTE TIN ON SOLDER TAILS, BOTH OVER 1.27  $\mu$ m MIN NICKEL.  
SHELL: 2~5  $\mu$ m MINIMUM BRIGHT TIN
- $\Delta$  DATUM AND BASIC DIMENSIONS ESTABLISHED BY CUSTOMER.
- $\Delta$  RECOMMENDED PC BOARD THICKNESS OF 1.57.



YES	2.29	BLACK	292303-6
YES	2.84	NATURAL	292303-5
YES	2.84	BLACK	292303-4
NO	2.84	NATURAL	292303-3
NO	2.29	BLACK	292303-2
NO	2.84	BLACK	292303-1
HIGH TEMPERATURE COMPATIBLE	D	HOUSING COLOR	PART NUMBER

DIMENSIONS: mm		TOLERANCES UNLESS OTHERWISE SPECIFIED:		DRN J. JIANG 10FEB04	Tyco Electronics Corporation Shanghai, P.R.China, 200233
D PLC ±		D PLC ±0.25		CHK S. YAO 10FEB04	
D PLC ±		D PLC ±		APP'D T. SASAKI 10FEB04	RECEPTACLE ASSEMBLY, RIGHT ANGLE, 4 POSITION, THRU-HOLE, USB, LEAD FREE VERSION
D PLC ±		D PLC ±		PRODUCT SPEC	
D PLC ±		D PLC ±		APPLICATION SPEC	SIZE A2
D PLC ±		D PLC ±		WEIGHT	CASE CODE 00779
D PLC ±		D PLC ±		CUSTOMER DRAWING	DRAWING NO. C-292303
D PLC ±		D PLC ±			SCALE 5:1
D PLC ±		D PLC ±			SHEET 1 OF 1
D PLC ±		D PLC ±			REV A