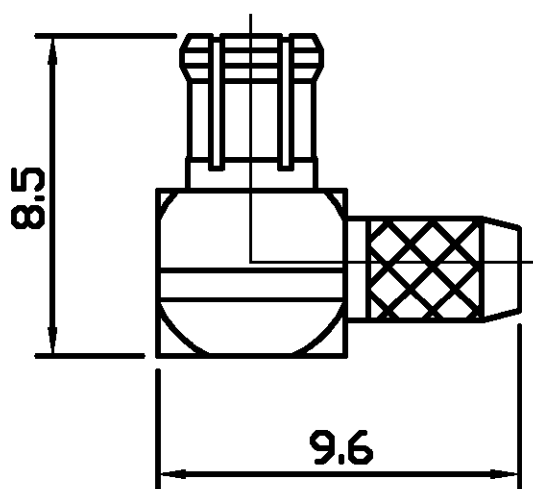


THIS DRAWING IS UNPUBLISHED.

RELEASED FOR PUBLICATION 7-9-00

© COPYRIGHT 2000 BY TYCO ELECTRONICS CORPORATION. ALL RIGHTS RESERVED.

LOC	DIST	REVISIONS			
P	LTR	DESCRIPTION	DATE	DWN	APVD
E	B	B	1-11-01	RG	FWK
		EB00-0304-01			



⚠ SUPPLIED SEMI-ASSEMBLED (PACK CONTAINS LOOSE PIECES)  
 VIEW SHOWS ASSEMBLED CONNECTOR (CABLE OMITTED)  
 FOR CABLE TO CONNECTOR ASSEMBLY GUIDANCE  
 REFER TO TYCO INSTRUCTION SHEET I.S 411 - 3251

ALL DIMENSIONS ARE NOMINAL. FOR REFERENCE ONLY.

DIE SET PART NUMBER	9-1478248-0
HANDTOOL PART NUMBER	9-1478240-0
FOR USE ON CABLES	RG174A/U, 188A/U & 316/U
CONNECTOR PLATING DETAIL	GOLD
CONTACT PLATING DETAIL	GOLD
DIELECTRIC MATERIAL	TEFLON
GASKET MATERIAL	N/A

THIS DRAWING IS A CONTROLLED DOCUMENT.

DIMENSIONS:	TOLERANCES UNLESS OTHERWISE SPECIFIED:
MM	
0 PLC	±
1 PLC	±
2 PLC	±
3 PLC	± -
4 PLC	± -
ANGLES	±
MATERIAL	FINISH
-	-

DWN	R.SMITH	07-SEP-00
CHK	R.GOODALL	07-SEP-00
APVD	R.GOODALL	07-SEP-00
PRODUCT SPEC	108-3435	
APPLICATION SPEC	-	
WEIGHT	-	
CUSTOMER DRAWING		

BAG	SINGLE ITEM	1-1337585-0
PACK TYPE	DESCRIPTION	PART NUMBER
Tyco Electronics Corporation Stanmore, Middlesex, HA7 4RS		
NAME: MCX ELBOW PLUG CRIMP 50 Ohm		
SIZE	CAGE CODE	DRAWING NO
A3	00779	C-1337585
RESTRICTED TO	-	
SCALE	NTS	SHEET 1 OF 1
REV	B	