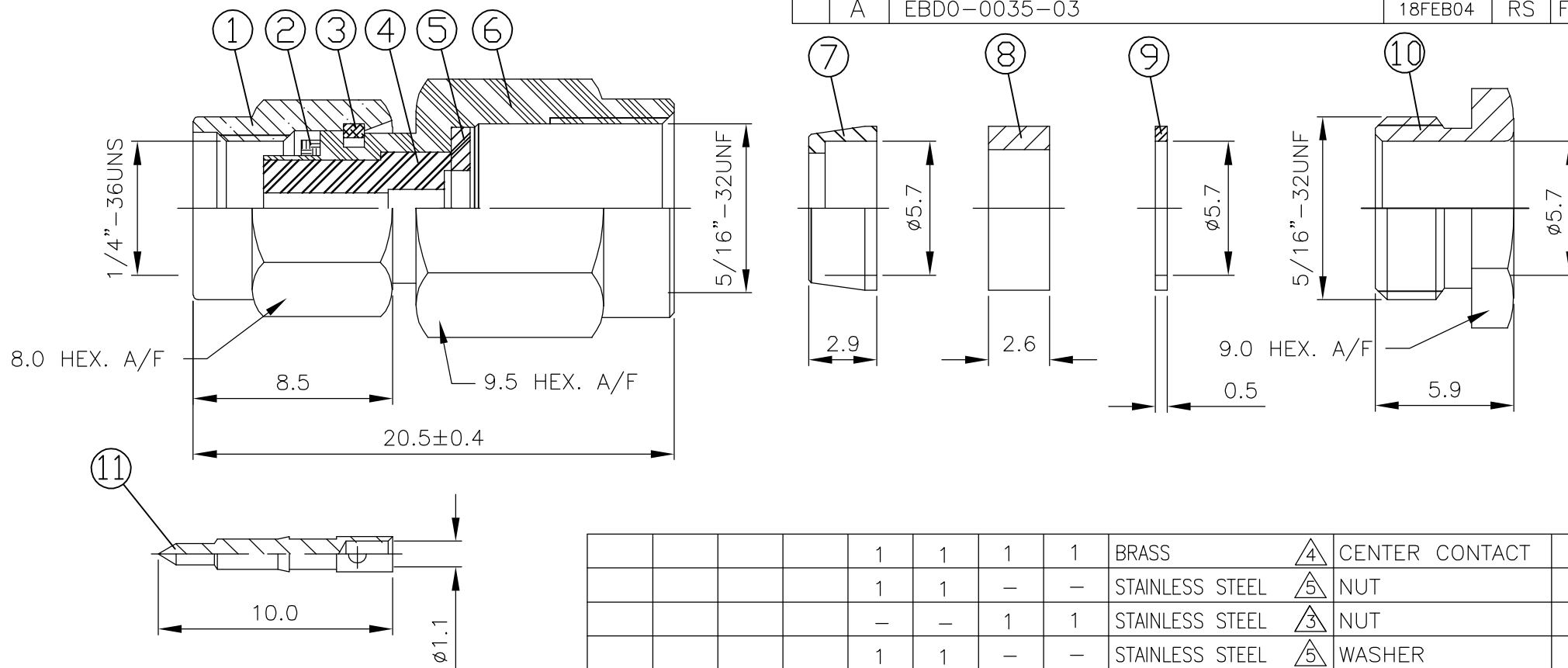


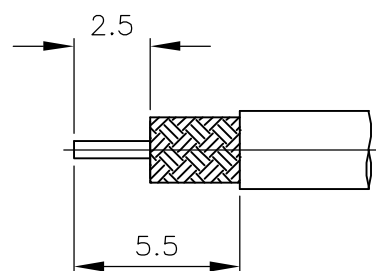
LOC	DIST	REVISIONS			
P	LTR	DESCRIPTION	DATE	DWN	APVD
E	B	B	EBD0-0189-04	22APR04	RS FWK
		A	EBD0-0035-03	18FEB04	RS FWK

NOTES:

- 1 SINGLE PACK IN ACCORDANCE WITH SPEC 107-3275
- 2 100 TRAY PACK IN ACCORDANCE WITH SPEC 107-3275
- 3 0.08µm Au PLATING OVER 1.27µm Ni PLATING
- 4 0.76µm Au PLATING OVER 1.27µm Ni PLATING OVER 0.76µm Cu PLATING
- 5 PASSIVATED
- 6 FOR TECHNICAL DATA REFER TO YOUR LOCAL TYCO ELECTRONICS SALES OFFICE
- 7 ALL DIMENSIONS ARE NOMINAL FOR REFERENCE ONLY UNLESS OTHERWISE STATED



RECOMMENDED CABLE STRIPPING DIM'S



QTY	1	1	1	1	MATERIAL	DESCRIPTION	ITEM
	1	1	1	1	BRASS	4 CENTER CONTACT	11
	1	1	-	-	STAINLESS STEEL	5 NUT	10
	-	-	1	1	STAINLESS STEEL	3 NUT	10
	1	1	-	-	STAINLESS STEEL	5 WASHER	9
	-	-	1	1	STAINLESS STEEL	3 WASHER	9
	1	1	1	1	SILICONE	GASKET	8
	1	1	-	-	STAINLESS STEEL	5 CLAMP	7
	-	-	1	1	STAINLESS STEEL	3 CLAMP	7
	1	1	-	-	STAINLESS STEEL	5 BODY	6
	-	-	1	1	STAINLESS STEEL	3 BODY	6
	1	1	-	-	STAINLESS STEEL	5 WASHER	5
	-	-	1	1	STAINLESS STEEL	3 WASHER	5
	1	1	1	1	PTFE	INSULATOR	4
	1	1	1	1	STAINLESS STEEL	CIRCLIP	3
	1	1	1	1	SILICONE	GASKET	2
	1	1	-	-	STAINLESS STEEL	5 SHELL	1
	-	-	1	1	STAINLESS STEEL	3 SHELL	1
	2--1	2--0	1--1	1--0	MATERIAL	DESCRIPTION	ITEM
	2	1	2	1			

THIS DRAWING IS A CONTROLLED DOCUMENT.		DWN R.SMITH 06FEB04	Tyco Electronics Corporation Bideford, UK, EX39 4HE	
DIMENSIONS: mm		CHK S.PARLOW 06FEB04		
TOLERANCES UNLESS OTHERWISE SPECIFIED:		APVD F.WHEELER-KING 06FEB04	NAME SMA STRAIGHT PLUG, JACK SOLDER PIN, CLAMP ATTACHMENT	
0 PLC ± -		PRODUCT SPEC 108-3460	RG58C/U, 141A/U, URM43, 76, KX15	
1 PLC ± -		APPLICATION SPEC 411-3276	SIZE A3	CAGE CODE 00779
2 PLC ± -		WEIGHT -	DRAWING NO C-1478907	
3 PLC ± -		MATERIAL SEE TABLE	RESTRICTED TO -	
4 PLC ± -			SCALE 1:1	
ANGLES ± -		CUSTOMER DRAWING		SHEET 1 OF 1
FINISH -		REV B		