



The RJ-Lnxx[®] line offers several different types of receptacles designed for a variety of applications. Suitable for OEMs wanting to incorporate a robust RJ-45 connector into equipment for either Ethernet or serial communication, for bringing robust Ethernet/datacoms cabling to an industrial enclosure, or for a datacoms installer extending office networks down to the factory floor, there is an appropriate RJ-Lnxx receptacle available.

Importantly, all receptacles are compatible with commercial RJ-45 connectors, enabling one solution for both harsh and benign environments. Receptacles come complete with sealing gasket and lock nut. They feature a hexagonal flange and location key for precise orientation onto panel or device. All are Cat 5e compliant except ENPR1FF5 (Cat 5) are fully shielded and are available with optional earth straps for grounding to the panel.

The receptacle line is complemented by IP67 closure caps providing protection when the receptacle is not in use, for example in non-continuous data transfer applications.

PC Board Receptacles

Available in three back terminations to provide maximum flexibility when mounting onto panels or OEM devices. From the basic PCB version which allows the user to terminate cable as required, to versions pre-wired with 305mm or one metre lengths of shielded Cat 5e solid core PUR jacketed cable, either with free ends or terminated with a shielded male RJ-45 plug permitting direct connection to an Ethernet/datacoms device inside the panel. Choice of 10/100 BaseTX/568A or 10/100 BaseTX/568B wiring on cable versions.

PCB Termination

Part Number	Description
ENSR1FB5	Receptacle, PC Board Terminated

PCB + Cable Termination

Part Number	Description
ENSR2FB5C305	Receptacle, 305mm, 10/100 BaseTX, 568A
ENSR3FB5C305	Receptacle, 305mm, 10/100 BaseTX, 568B
ENSR2FB5M010	Receptacle, 1.0m, 10/100 BaseTX, 568A
ENSR3FB5M010	Receptacle, 1.0m, 10/100 BaseTX, 568B

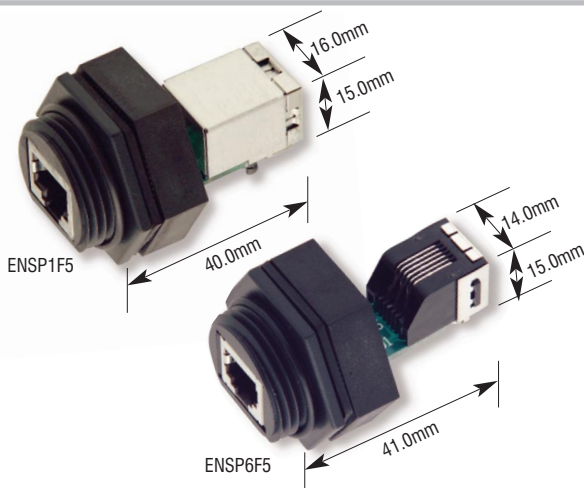
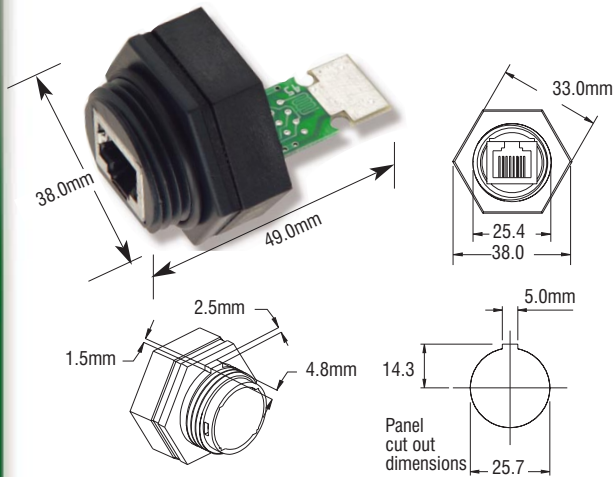
PCB + Cable + Male RJ-45 Plug Termination

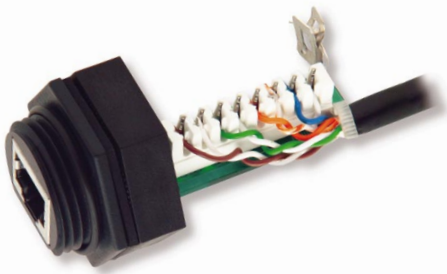
Part Number	Description
ENSP2F5C305	Receptacle, 305mm, Plug, 10/100 BaseTX, 568A
ENSP3F5C305	Receptacle, 305mm, Plug, 10/100 BaseTX, 568B
ENSP2F5M010	Receptacle, 1.0m, Plug, 10/100 BaseTX, 568A
ENSP3F5M010	Receptacle, 1.0m, Plug, 10/100 BaseTX, 568B

Through Panel Receptacles

These receptacles have shielded female jacks fitted to the PCB. Connection is made to the device inside the panel with a standard male patch cord or jumper. The through panel receptacles are particularly useful when internal cable lengths are either unknown or varied. They are available in two versions. RJ-45 for use with the range of RJ-Lnxx field attachable and moulded male connectors. Also with 6 pole RJ-12 female jacks (both front face and fitted to PCB) for use with standard RJ-12 connectors. The front face of both receptacles can be protected by IP67 closure caps when not in use.

Part Number	Description
ENSP1F5	Through Panel Receptacle, RJ-45 – Cat 5e
ENSP6F5	Through Panel Receptacle, RJ-12 – Telecoms



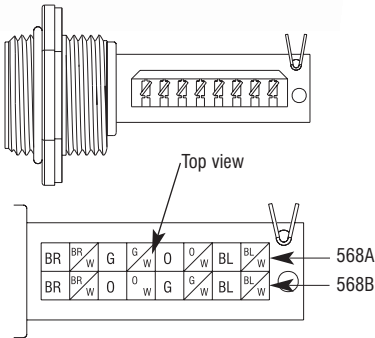


Punchdown Receptacles

These receptacles have been designed to permit termination directly onto cable without the need for stripping and soldering conductor cores. Insulated cores are simply laid across the terminal blocks and are IDC terminated in seconds using punchdown hand tools freely available from any datacoms distributor. The receptacles can be specified with either 'Krone' or '110' style terminal blocks, come complete with earthing post for FTP cable drain wire, cable tie and 568B/568A wiring card. Receptacles are shielded and Category 5e compliant.

Legend

- BL/W Blue/White
- BL Blue
- O/W Orange/White
- O Orange
- G/W Green/White
- G Green
- BR/W Brown/White
- BR Brown



Part Number

Description

ENDR3FB5-K	Receptacle, Krone Punchdown IDC termination
ENDR3FB5-110	Receptacle, 110 Punchdown IDC termination

Earth Strap Versions



For allowing the receptacle shielded components to be grounded directly to the mounting panel. Available with 1.13mm² high grade tinned copper braided earth lead with 3.5mm ring terminal. Earth strap length 10cm ENSR1FB5, ENSP1F5 and 8cm for all other versions. Specify earth strap version by adding – ESP to the standard part number. Some typical examples:

Part Number

Description

ENSP1FB5-ESP	Through Panel Receptacle, RJ-45, earth strap
ENSR1FB5-ESP	Receptacle, PC Board Terminated, earth strap
ENSP2F5C305-ESP	Receptacle, 305mm, Plug, earth strap, 10/100, 568A
ENDR3FB5-K-ESP	Receptacle, Krone Punchdown IDC termination, earth strap

Direct PCB Mount Receptacle

Due to the front lock nut design this receptacle is ideal for OEM applications where the receptacle needs to be terminated directly onto a PCB which is then mounted into the device housing. The short overall depth from front face to PCB pins makes the receptacle particularly suitable where internal housing space is at a premium. Features a shielded female jack and earthing clips to assure continuity of shielding to attached PCB.

Part Number

Description

ENPR1FF5	Receptacle, Direct PCB Mount, Front Lock Nut, Category 5.
----------	-----------------------------------------------------------

