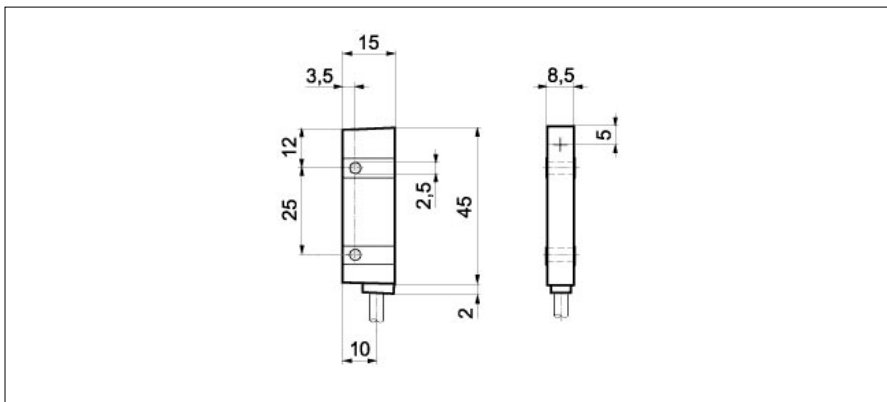


Magnetic sensors

MDFK 08G8124

dimension drawing



general data

air gap	< 0,5 mm
pulse/revolution	512 pulses ring magnet 32 pole-pairs
measuring step	2048
interpolation	16 times

electrical data

switching frequency	< 3200 kHz
voltage supply range +Vs	8 ... 28 VDC
current consumption max.	30 mA
output circuit	3 channel push-pull
output signal	CH A/B/N
output current	< 50 mA
voltage drop Vd	< 2 VDC
short circuit protection	yes
reverse polarity protection	yes

mechanical data

type	rectangular
housing material	PC
dimension	15 mm
housing length	45 mm
connection types	cable PUR 5 x 0,14

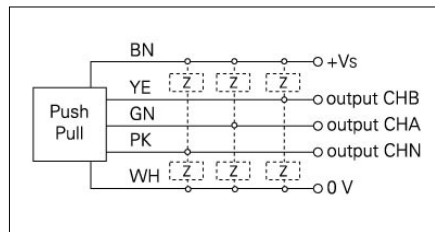
ambient conditions

operating temperature	-25 ... +85 °C
protection class	IP 67

photo



connection diagram



mounting

