

# Power Rocker Switches

## DESCRIPTION

Issued 02/04

1654929

- Full line of single or double-pole power rocker switches for three different industry compatible panel cut-out sizes



**Series PRE**  
19.4 [.76] x 22.2 [.87]  
Panel Cut-out



**Series PRF**  
22.2 [.87] x 30.2 [1.19]  
Panel Cut-out



**Series PRG**  
11.2 [.44] x 30.2 [1.19]  
Panel Cut-out

## APPLICATIONS

- |  |  |   |  |
|--|--|---|--|
| <ul style="list-style-type: none"> <li>• Vacuums</li> <li>• Power Tools</li> <li>• Floor Care Equipment</li> <li>• Small Appliances</li> <li>• Lighting</li> </ul> | <ul style="list-style-type: none"> <li>• Saunas</li> <li>• Instrumentation</li> <li>• Medical Equipment</li> <li>• Lawn Equipment</li> <li>• Power Strips</li> </ul> | <ul style="list-style-type: none"> <li>• Ranges</li> <li>• Vent Hoods</li> <li>• Office Equipment</li> <li>• Welding Equipment</li> </ul> | <ul style="list-style-type: none"> <li>• Industrial Control Panels</li> <li>• Industrial Machinery</li> <li>• Industrial HVAC</li> </ul> |
|--|--|---|--|

## ELECTRICAL

- |  |   |
|--|---|
| <ul style="list-style-type: none"> <li>• Current:           <ul style="list-style-type: none"> <li><b>PRF Series Double Pole and PRG Series:</b><br/>16A@125 VAC<br/>10A@250 VAC</li> <li><b>PRE Series Double Pole:</b><br/>10A@125 VAC<br/>6A@250 VAC</li> </ul> </li> </ul> | <ul style="list-style-type: none"> <li>• Inrush Current: up to 80A</li> <li>• Contact Resistance (initial): &lt;50m Ohms</li> <li>• Dielectric Strength (initial): &gt;1500 VAC, 1 min.</li> <li>• Insulation Resistance (initial): &gt;100Mohms min.</li> <li>• Electrical Life Endurance: &gt;10.000</li> </ul> |
|--|---|

## MECHANICAL

- Operating Life Endurance: up to >100.000 cycles

## MATERIALS

- |  |  |
|--|--|
| <ul style="list-style-type: none"> <li>• Housing: Nylon 6/6 UL 94V-2</li> <li>• Rocker: Nylon 6/6 UL 94V-2 or Polycarbonate UL 94V-2</li> <li>• Contact: Silver-tin Oxide</li> </ul> | <ul style="list-style-type: none"> <li>• Terminals, Active contactor: Silver plated copper alloy</li> <li>• Plunger: Nickel plated copper alloy</li> <li>• Spring: Steel Wire</li> </ul> |
|--|--|

## STANDARDS & SPECS

- UL, CSA, VDE, ENEC

## FOR MORE INFORMATION

### Technical Support

Contact your local Tyco Electronics Support / Sales Office

Internet: <http://www.tycoelectronics.com>

new product

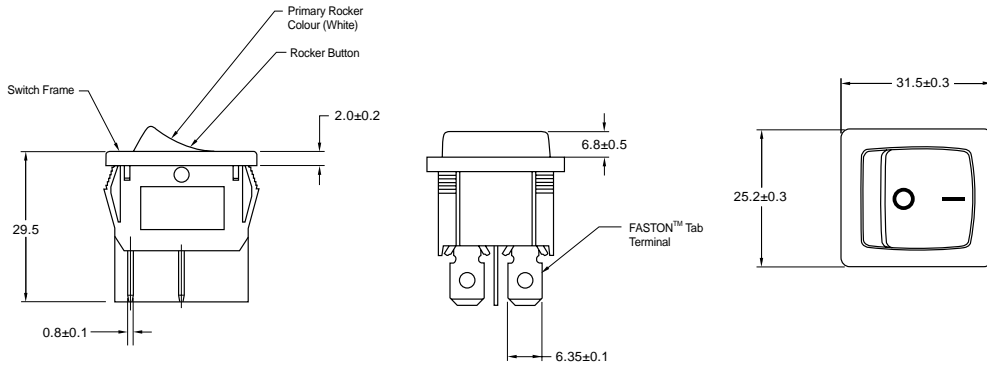
# Series PRF

## 22.2 [.87] x 30.2 [1.19] Panel Cutout

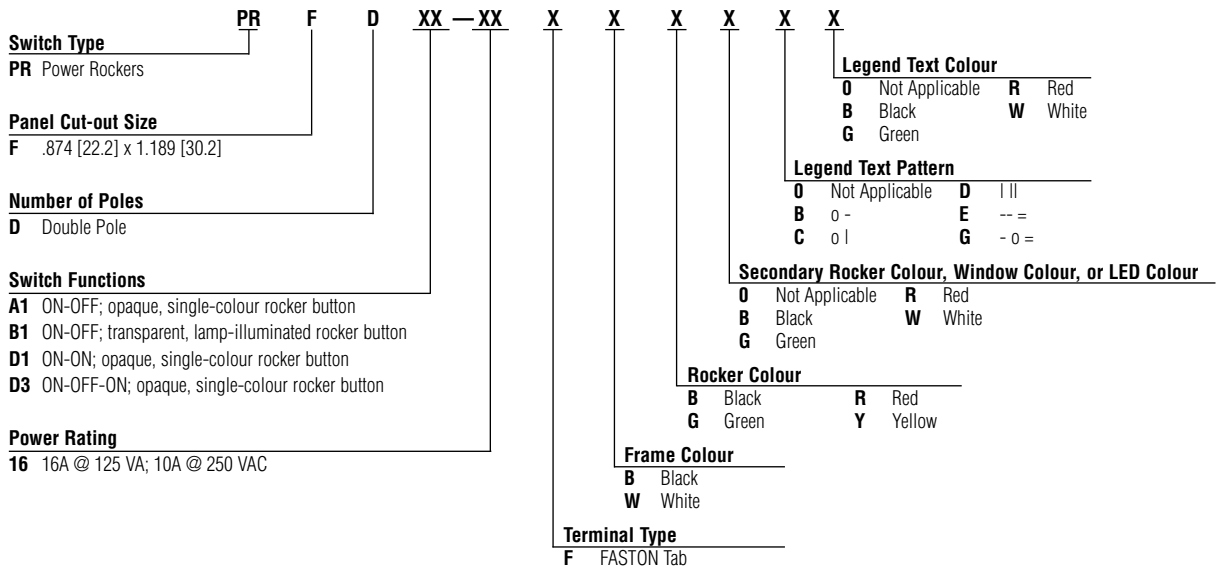
### FEATURES & BENEFITS

- Easy to install snap-in mounting
- Dual colour rocker option
- Full-illuminated rocker option
- LED window illuminated option
- Wide range of marking options and functions available
- Solder lugs or .250 FASTON Tab terminals
- Cost competitive

### PRODUCT DIMENSIONS



### ALCOSWITCH PART NUMBER



### PRODUCT OFFERING

Part Numbers	
Alcoswitch	Tyco Electronics
PRFDA1-16F-BB000	0-1634201-1
PRFDA1-16F-BB0BW	0-1634201-2
PRFDA1-16F-BB0CW	0-1634201-3
PRFDB1-16F-BR000	0-1634201-4
PRFDB1-16F-BG000	0-1634201-5
PRFDB1-16F-BY000	0-1634201-6

Part Numbers	
Alcoswitch	Tyco Electronics
PRFDD1-16F-BB000	0-1634201-7
PRFDD1-16F-BB0DW	0-1634201-8
PRFDD1-16F-BB0EW	0-1634201-9
PRFDD3-16F-BB000	1-1634201-0
PRFDD3-16F-BB0EW	1-1634201-1
PRFDD3-16F-BB0GW	1-1634201-2